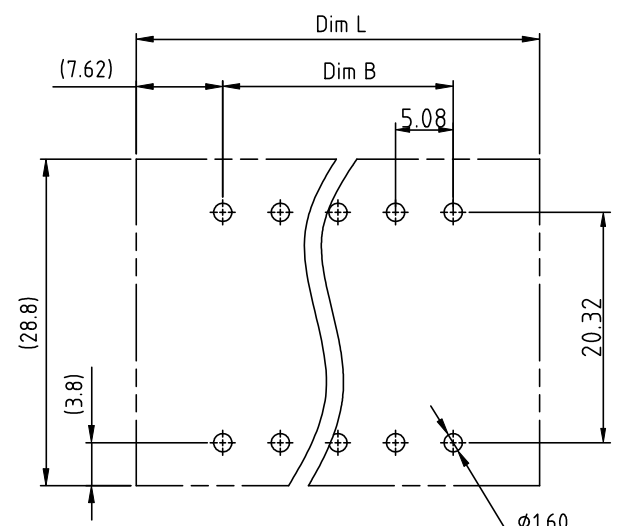
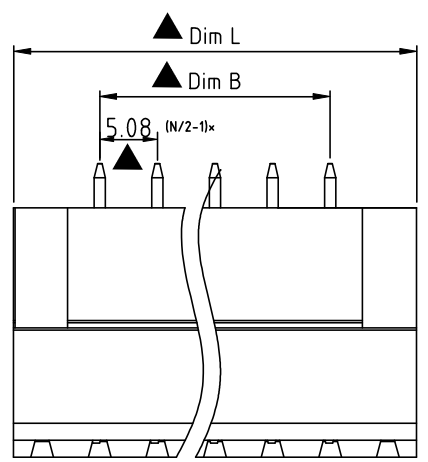


Rev	SIGN	DATE	DESCRIPTION	APPROVER
D	△	1/29'07	Soldering temperature changed from 245° to 250°	Tony
E	△	8/01'08	Operating temperature changed	Marvin
F	△	8/01'08	Body with flange is changed	Marvin
G	△	09/14`09	The design is changed from the round hole to hexagonal hole.	Jacke
G	△	09/20`09	The design is changed	Chen Bo
H	△	04/21`12	The Dimension C & D & E & F are added	Chen Bo
H	△	04/21`12	Flange nut is changed	Chen Bo
I	△	11/19`13	Update the drawing	Chen Bo
J	△	2017.5.19	change the dimensional tolerance	CHENMING

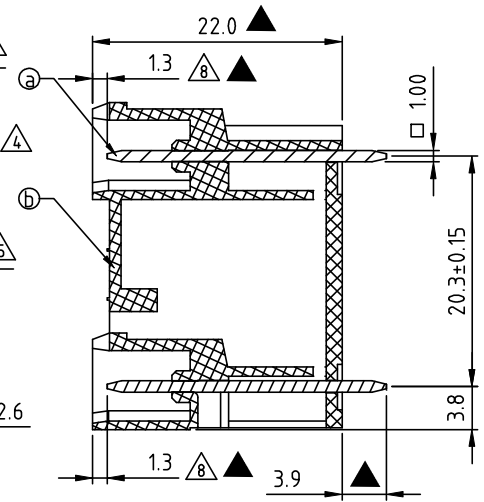
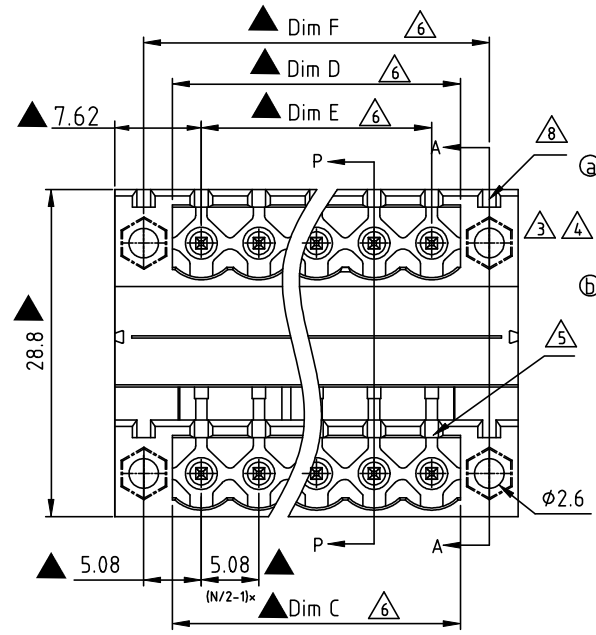
THIS IS CAD DRAWING, DO NOT REVISE MANUALLY!!!

Material:

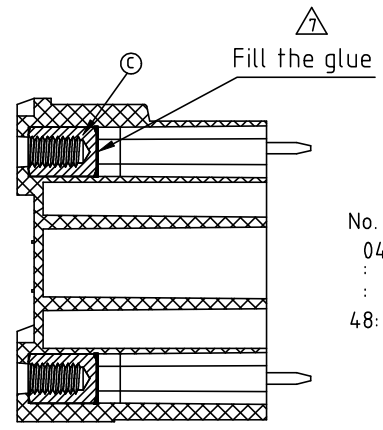
- Item ① Male contact pin: Copper Tin plated
 - Item ② Terminal (housing): Thermoplastic (UL94V-0)
 - Item ③ With flange nut: Brass ,M2.5
- Electrical: cULus
- Voltage rating: 300V
 - Current rating: 20A
 - Withstanding Voltage: 16 KV
 - Operating temperature: -40°C to +115°C
 - Soldering temperature: 260°C±5°C/5 Sec
 - Safety Approval: cULus
 - Critical dimension: △



RECOMMENDED PCB LAYOUT



SECTION P-P



SECTION A-A

VL xx 5 2 x 0 xxxx G

No. OF POLES
04: 2x2 POLES
48: 2x24 POLES

- G: RoHS compliant (lead<4%) In copper Alloy
- 0000: "@" Logo
- 000A: "ANYTEK" Mark
- Any special item by customer request. please contact sales department.
- 0 Black (RAL9005)
 - 2 Red (RAL3001/D)
 - 3 Orange(RAL2011/P)
 - 4 Yellow(RAL1018/A)
 - 5 Green(RAL6018/T)
 - 6 Blue (RAL5015/A)
 - 8 Grey(RAL7035/D)
 - 9 White(RAL1102)
 - C Green(RAL6018/U)

N = Number of poles
 Dim L=(N/2+2)×5.08
 Dim B=(N/2-1)×5.08
 Dim C=N/2×5.08+0.4
 Dim D=N/2×5.08+0.4
 Dim E=(N/2-1)×5.08
 Dim F=(N/2+1)×5.08

Poles	Dim L	Dim B	Dim C	Dim D	Dim E	Dim F
2x2-2x6p	±0.15	±0.15	+0.15 -0.00	+0.15 -0.00	±0.15	±0.15
2x7-2x12p	±0.25	±0.25	+0.25 -0.00	+0.25 -0.00	±0.25	±0.25
2x13-2x18p	±0.35	±0.35	+0.30 -0.00	+0.30 -0.00	±0.35	±0.35
2x19-2x24p	±0.40	±0.40	+0.40 -0.00	+0.40 -0.00	±0.40	±0.40

Amphenol ANYTEK

CUSTOMER COPY

ALL RIGHTS RESERVED. REPRODUCTION OR ISSUE TO THIRD PARTIES IN ANY FORM WHATSOEVER IS NOT PERMITTED WITHOUT WRITTEN AUTHORITY FROM THE PROPRIETOR. PROPERTY OF ANYTEK TECHNOLOGY CO., LTD

TITLE		VL-5.08mm Series Vertical With Flange				
PART NO.	VLxx52x0xxxxG	DWG NO.	8VL0304			
APPROVED	CHECKED	DESIGNED	DRAWN	CUST NO.	Tolerance	
		CHENMING 2017.5.19	Chen Bo 11/19`13		X. ±0.50	
					UNIT: mm	X.X ±0.30
					X.XX ±0.10	
					SCALE: NONE	X° ±1°
				SHEET: 01/01	REV.: J	