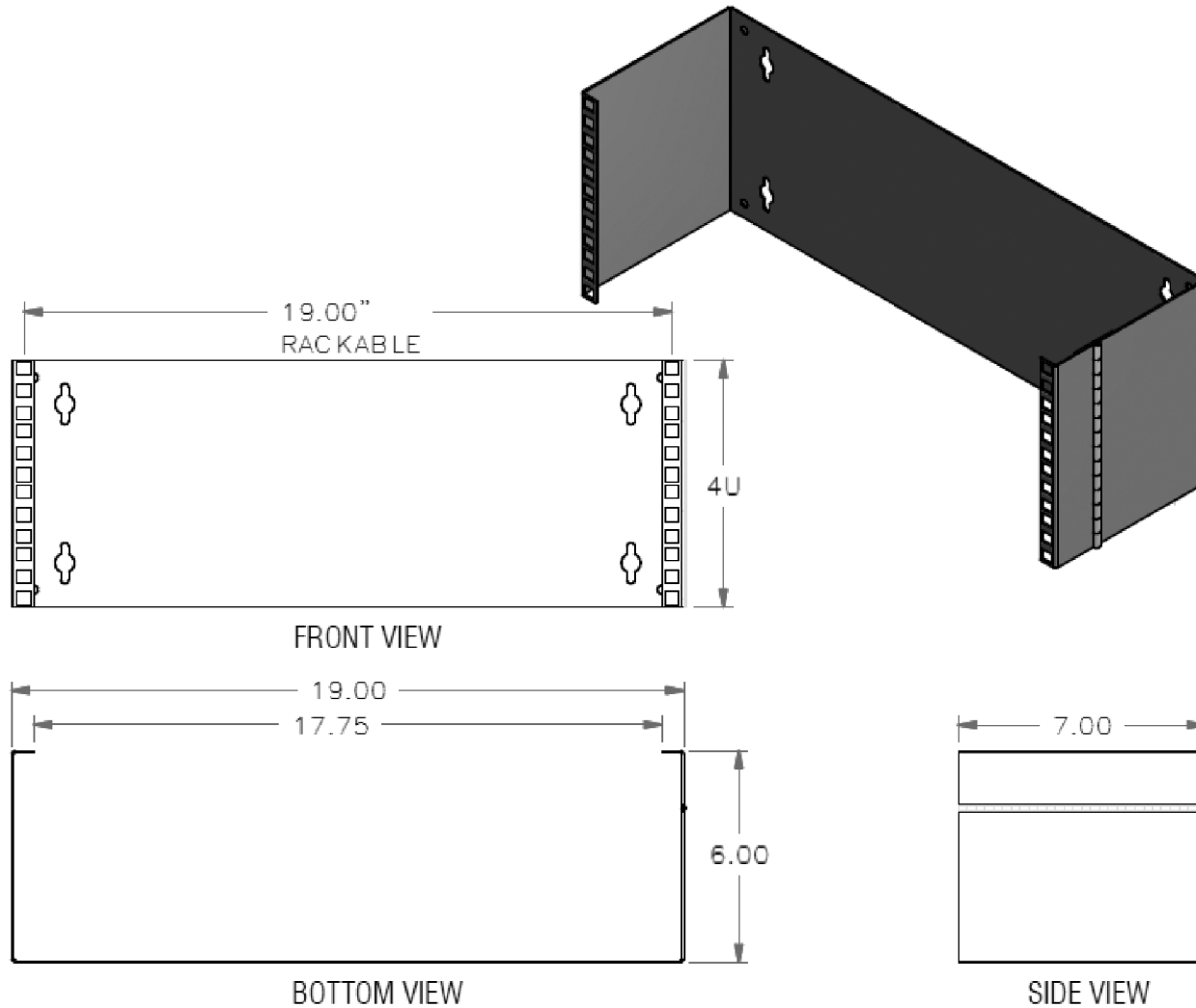


SW2014



| Revision level | | | Revision Record | Changed | Date | Approved | Date |
|----------------|----------------|------|-----------------|---------|----------|----------|----------|
| Drawing | State | Part | | | | | |
| 00.0 | Design Release | | SEE ECN# 013462 | GRW | 6/2/2016 | KAC | 6/2/2016 |



Material
STEEL

Units: **inches**
 Dimension without tolerances details to:
 .xxxx = ±.0005
 .xxx = ±.005
 .xx = ±.01
 .x = ±.03
 None = ±.06
 ∠ = ±0.5°
 Dimension Formatted in/[mm]

The copyright of this drawing is reserved by HellermannTyton. It is issued on condition that it is not reproduced, copied, or disclosed to a third party, either wholly or in part, without the consent of HellermannTyton.

| | | |
|----------|-----|----------|
| Drawn | GRW | 6/1/2016 |
| Approved | KAC | 6/1/2016 |

HellermannTyton
 North America
 Email: corp@htamericas.com
 Web: www.hellermann.tyton.com

Article/Type-No 854-44293 / T7PPB
 Title **7" WALL MOUNT PATCH PANEL BRACKET, 2U**
 Drawing-No PRODUCTION : Phase
16-0399-001-CSU

Scale 1:1
 Project Number PRP 16-0399
 Format AH
 Sheet 1/1