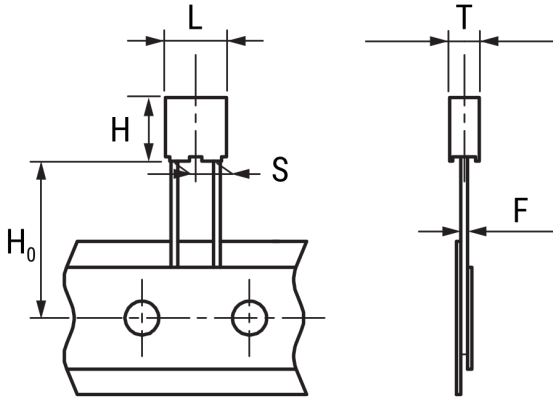


R82CC4470DQ30J

Aliases (82CC4470DQ30J)

R82, Film, Metallized Polyester, Automotive Grade, 4.7 uF, 5%, 50 VDC, 85°C, Lead Spacing = 5mm



Click [here](#) for the 3D model.

Dimensions

L	7.2mm +0.3mm
H	13mm +0.1mm
T	7.2mm +0.1mm
S	5mm +0.6/-0.1mm
H0	18.5mm +/-0.5mm
F	0.6mm +/-0.05mm

Packaging Specifications

Packaging	Ammo, 360x340x59mm, Box
Packaging Quantity	1150

General Information

Series	R82
Dielectric	Metallized Polyester
Style	Radial
Features	Automotive Grade, DC Multipurpose Applications
RoHS	Yes
Lead	Wire Leads
Qualifications	AEC-Q200
AEC-Q200	Yes
Component Weight	1.35 g
Miscellaneous	Note: This Capacitor Uses Wound Technology Rather Than Stacked, Above 85C DC And AC Voltage Derating Is 1.25%/C.

Specifications

Capacitance	4.7 uF
Capacitance Tolerance	5%
Voltage AC	30 VAC
Voltage DC	50 VDC
Temperature Range	-55/+105°C
Rated Temperature	85°C
Dissipation Factor	0.8% 1kHz, 1.2% 10kHz
Insulation Resistance	212.8 MOhms
Max dV/dt	25 V/us
Inductance	7 nH