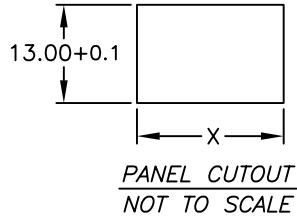
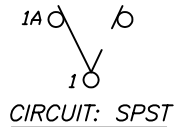


PANEL THICKNESS	X dimension
0.75-1.25 [.030-.049]	19.2- <i>a</i> 1 [.756]
1.25-2.0 [.049-.079]	19.4- <i>a</i> 1 [.764]
2.0-3.0 [.079-.118]	19.8- <i>a</i> 1 [.780]

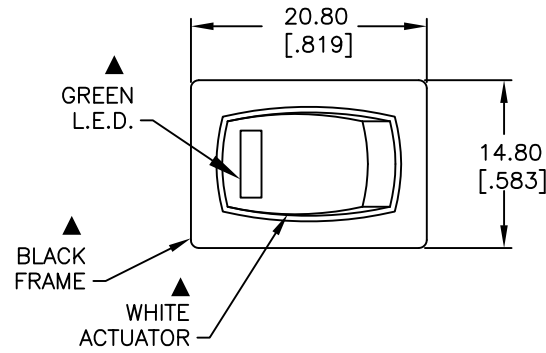


SWITCH FUNCTION	
PDS. 1	PDS. 2
ON	OFF
1-1a	OPEN



NOTES:

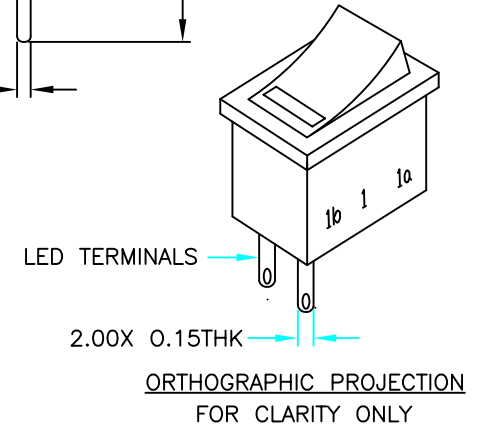
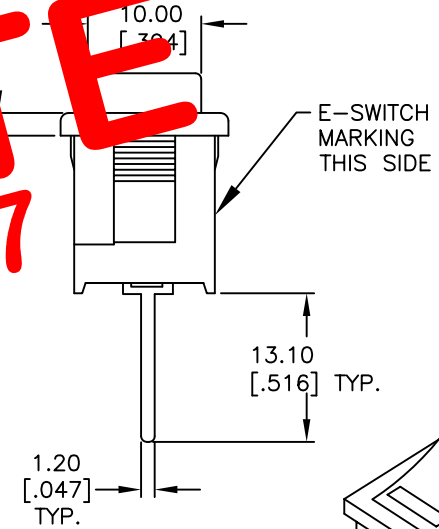
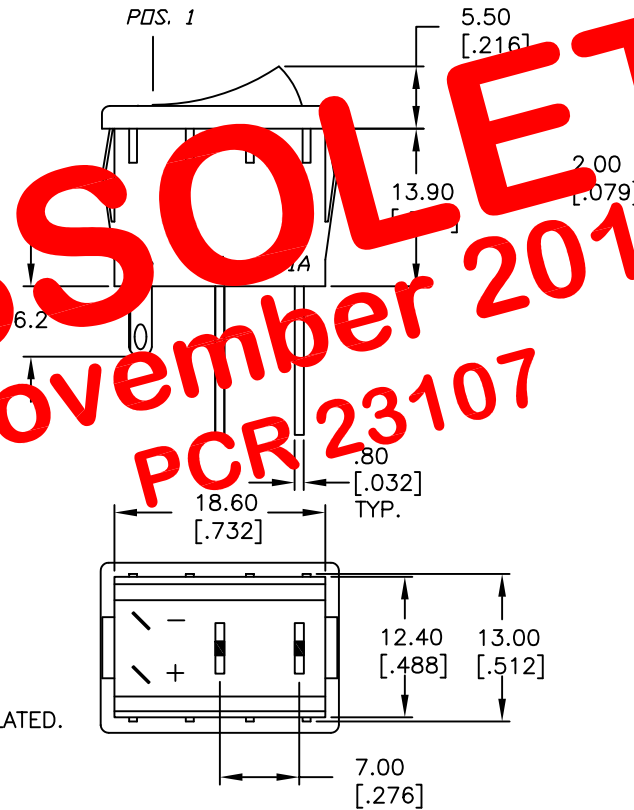
1. ALL DIMENSIONS IN MM [INCH]
2. GENERAL TOLERANCE: X.X=±0.4  
X.XX=±0.25
3. TERMINAL NUMBERS FOR REF ONLY
4. RATING: 15A @ 125VAC OR 6A @ 250VAC
5. MATERIALS: (TERMINALS) SILVER PLATED COPPER  
(CONTACTS) COIN SILVER, SILVER PLATED.
6. CONTACT RESISTANCE: <20 Mega
7. ELECTRICAL LIFE: 10,000 cycles
8. INSULATION RESISTANCE: >1000 Mega
9. DIELECTRIC STRENGTH: >1500V 1 minute  
>3000V between Poles
10. OPERATING TEMP. RANGE: -25°C to +85°C



GREEN L.E.D

PARAMETERS	SYMBOL	MAX.	TYP.	UNITS
POWER DISSIPATION	P <sub>D</sub>	80		mW
AVE FORWARD CURRENT	I <sub>AF</sub>	--		mA
PEAK FORWARD CURRENT	I <sub>PF</sub>	100		mA
REVERSE VOLTAGE	V <sub>R</sub>	5		V
FORWARD VOLTAGE	V <sub>F</sub>	2.6	2	V
REVERSE CURRENT	I <sub>R</sub>		100	μA
EMISSION WAVELENGTH	λ <sub>P</sub>		570	nm
LUMINOUS INTENSITY	I <sub>v</sub>		30	mcd

OBSOLETE  
November 2017  
PCR 23107



<b>E-SWITCH®</b>				
TITLE		R1966ABLKWHTEPGRN		
SCALE	DATE	DR	DWG	REV
1.5:1	12/16/04	AR	M301153	A

REV.	ECN No.	DESCRIPTION	DATE	CHKD
A	14581	RELEASED FOR PRODUCTION	12/16/04	AR

THE INFORMATION CONTAINED IN THIS DOCUMENT IS PROPRIETARY TO E-SWITCH AND IS NOT TO BE COPIED OR TRANSFERRED