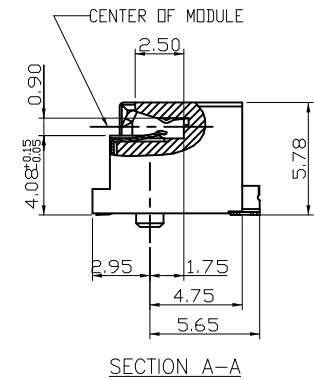
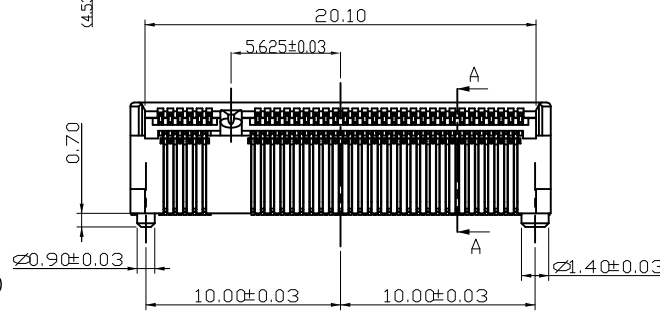
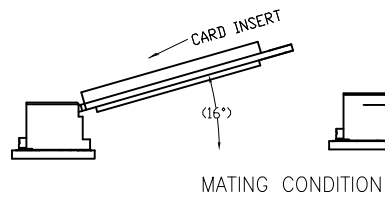
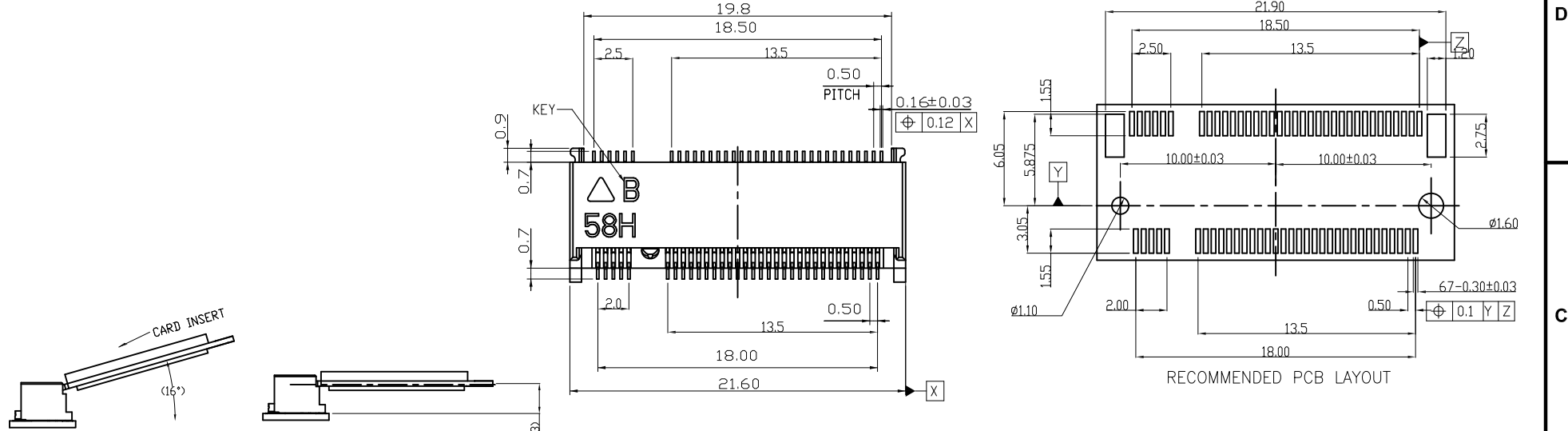


APPROVED: \_\_\_\_\_  
 DATE: \_\_\_\_\_ TITLE: \_\_\_\_\_

Rev	AWO #	Description	Date	Appr
-		RELEASED	3/16/21	
A		ADDED PACKING	12/9/21	JJ/RC



**B** SPECIFICATIONS:  
 Material:  
 Insulator: (LCP) Hi-Temp Thermoplastic, rated UL 94V-0  
 Insulator Color: Black  
 Contacts: Phosphor Bronze  
 Hold down: Brass, Nickel Plated  
 Solder area: Tin plated

Plating:  
 Gold flash over Nickel underplate overall

Electrical:  
 Voltage rating: 50 VAC  
 Current rating: 0.5A / (1Pin)  
 Contact resistance: 55 mohms max  
 Insulation resistance: 500 Mohms min  
 Dielectric withstanding voltage: 300 VAC for 1 minute

**A** Mechanical:  
 Durability: 60 cycles min  
 Insertion force: 20N max  
 Withdrawal force: 25N  
 Temperature Rating:  
 Operating temperature: -40°C to +85°C  
 Environmental:  
 Lead free, RoHS compliant



UNLESS OTHERWISE SPECIFIED  
 ALL DIMENSIONS ARE MILLIMETERS  
 TOLERANCES: EXCEPT AS NOTED

MM	ANGLE
.X ± 0.30	.X ± 3°
.XX ± 0.20	.X ± 1°
.XXX ± 0.10	

DRAWN	LH	3/16/21
CHECKED	JL	3/16/21
APPROVED		

THIS DRAWING CONTAINS INFORMATION THAT IS PROPRIETARY AND SHOULD NOT BE USED WITHOUT PRIOR WRITTEN PERMISSION FROM ADAM TECH

**ADAM TECH** 909 Rahway Avenue,  
 Union, NJ 07083  
 Phone: 908-687-5000  
 Fax: 908-687-5710

TITLE: M.2 CONNECTOR, 67PINS, SMT TYPE,  
 5.80MM HEIGHT, B KEY

SIZE X	PART NO. M2-A1-67-R-SMT-5.80-KB-T/R	REV. A
-----------	--	-----------

REF: S00275T SCALE: NTS SHEET 1 OF 3

6 5 4 3 2 1

APPROVED: \_\_\_\_\_  
 DATE: \_\_\_\_\_ TITLE: \_\_\_\_\_

Rev	AWO #	Description	Date	Appr
SEE SHT 1 OF 3 FOR REVISION				

FRONT SIDE

42(KNGFF CARD 42mm TYPE)  
 60(KNGFF CARD 60mm TYPE)  
 80(KNGFF CARD 80mm TYPE)  
 110(KNGFF CARD 110mm TYPE)

22  
 <11>  
 $\phi 3.5 \pm 0.05$   
 $\phi 0.15 \text{CBA}$   
 $\phi 5.5 \pm 0.1$   
 MECHANICAL GND PAD  
 AREA RESERVED FOR RF RECEPTACLE OR COMPONENTS WHEN NO RF RECEPTACLES USED  
 COMPONENT AREA

3.8 ± 0.15  
 2  
 POS. No.75  
 0.5 PITCH  
 1.2 ± 0.05  
 5.625  
 1.25  
 POS. No.1  
 3.5  
 4  
 B  
 34X0.35 ± 0.04  
 $\phi 0.15 \text{CBA}$   
 $\phi 0.05 \text{C}$   
 19.85 ± 0.15  
 2.5  
 2.5

BACK SIDE

1.25 ± 0.1  
 1.25 ± 0.1  
 1 ± 0.1  
 $\phi 3.5 \pm 0.1$   
 MECHANICAL GND PAD  
 COMPONENT AREA

4MIN.  
 2-20° ± 5  
 0.3 ± 0.25  
 0.2 MIN.  
 0.8 ± 0.08  
 -0.15 M  
 5.2MIN.  
 2-R0.5  
 POS. No.2  
 1.375  
 13.5  
 0.5 PITCH  
 POS. No.74  
 33X0.35 ± 0.04  
 $\phi 0.15 \text{CBA}$   
 $\phi 0.05 \text{C}$   
 2.5

KEY ID "B"  
 RECOMMENDED MODULE LAYOUT  
 GENERAL TOLERANCE ±0.15

UNLESS OTHERWISE SPECIFIED  
 ALL DIMENSIONS ARE MILLIMETERS  
 TOLERANCES: EXCEPT AS NOTED

MM	ANGLE
.X ± 0.30	X. ± 3°
.XX ± 0.20	.X ± 1°
.XXX ± 0.10	

DRAWN	LH	3/16/21
CHECKED	JL	3/16/21
APPROVED		

THIS DRAWING CONTAINS INFORMATION THAT IS PROPRIETARY AND SHOULD NOT BE USED WITHOUT PRIOR WRITTEN PERMISSION FROM ADAM TECH

909 Rahway Avenue,  
 Union, NJ 07083  
 Phone: 908-687-5000  
 Fax: 908-687-5710

**ADAM TECH**

TITLE  
 M.2 CONNECTOR, 67PINS, SMT TYPE,  
 5.80MM HEIGHT, B KEY

SIZE X	PART NO. M2-A1-67-R-SMT-5.80-KB-T/R	REV. A
-----------	--	-----------

REF: S00275T SCALE: NTS SHEET 2 OF 3

6 5 4 3 2 1

6 5 4 3 2 1

APPROVED: \_\_\_\_\_  
 DATE: \_\_\_\_\_ TITLE: \_\_\_\_\_

Rev	AWO #	Description	Date	Appr
SEE SHT 1 OF 3 FOR REVISION				

NOTES:

- PACKING STYLE: 600 PCS/REEL  
3,600 PCS/OUTER CARTON
- MATERIAL: CARRIER TAPE: PS BLACK  
COVER TAPE: PET FILM  
REEL: PLASTIC
- PEEL STRENGTH OF COVER TAPE: 20~80g  
(PEEL SPEED 300mm/MINUTE)
- CARTON SIZE: 350x350x320mm
- G/W: Kg , N/W: Kg

NOTES.

- PACKING STYLE: 600 PCS/REEL  
3,600 PCS/OUTER CARTON
- MATERIAL: CARRIER TAPE: PS BLACK  
COVER TAPE: PET FILM  
REEL: PLASTIC
- PEEL STRENGTH OF COVER TAPE: 20~80g  
(PEEL SPEED 300mm/MINUTE)
- CARTON SIZE: 350x350x320mm
- G/W: Kg , N/W: Kg

UNLESS OTHERWISE SPECIFIED ALL DIMENSIONS ARE MILLIMETERS TOLERANCES: EXCEPT AS NOTED MM ANGLE .X ± 0.30 X. ± 3° .XX ± 0.20 .X ± 1° .XXX ± 0.10			<b>ADAM TECH</b> 909 Rahway Avenue, Union, NJ 07083 Phone: 908-687-5000 Fax: 908-687-5710	
DRAWN	LH	3/16/21	TITLE M.2 CONNECTOR, 67PINS, SMT TYPE, 5.80MM HEIGHT, B KEY	
CHECKED	JL	3/16/21	SIZE X	PART NO. M2-A1-67-R-SMT-5.80-KB-T/R
APPROVED			REF: S00275T	SCALE: NTS
THIS DRAWING CONTAINS INFORMATION THAT IS PROPRIETARY AND SHOULD NOT BE USED WITHOUT PRIOR WRITTEN PERMISSION FROM ADAM TECH			REV. A	SHEET 3 OF 3

6 5 4 3 2 1