

THIS DRAWING IS UNPUBLISHED.

RELEASED FOR PUBLICATION

20

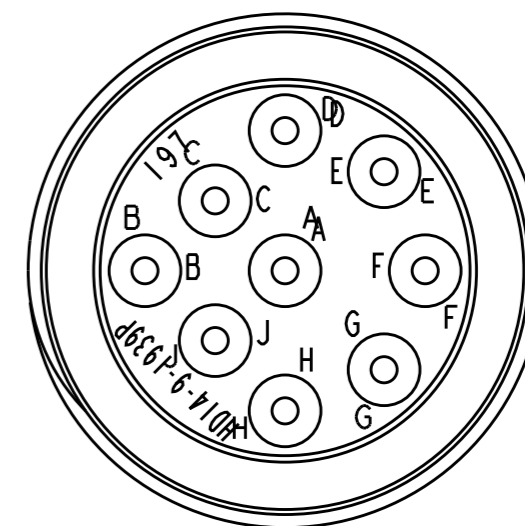
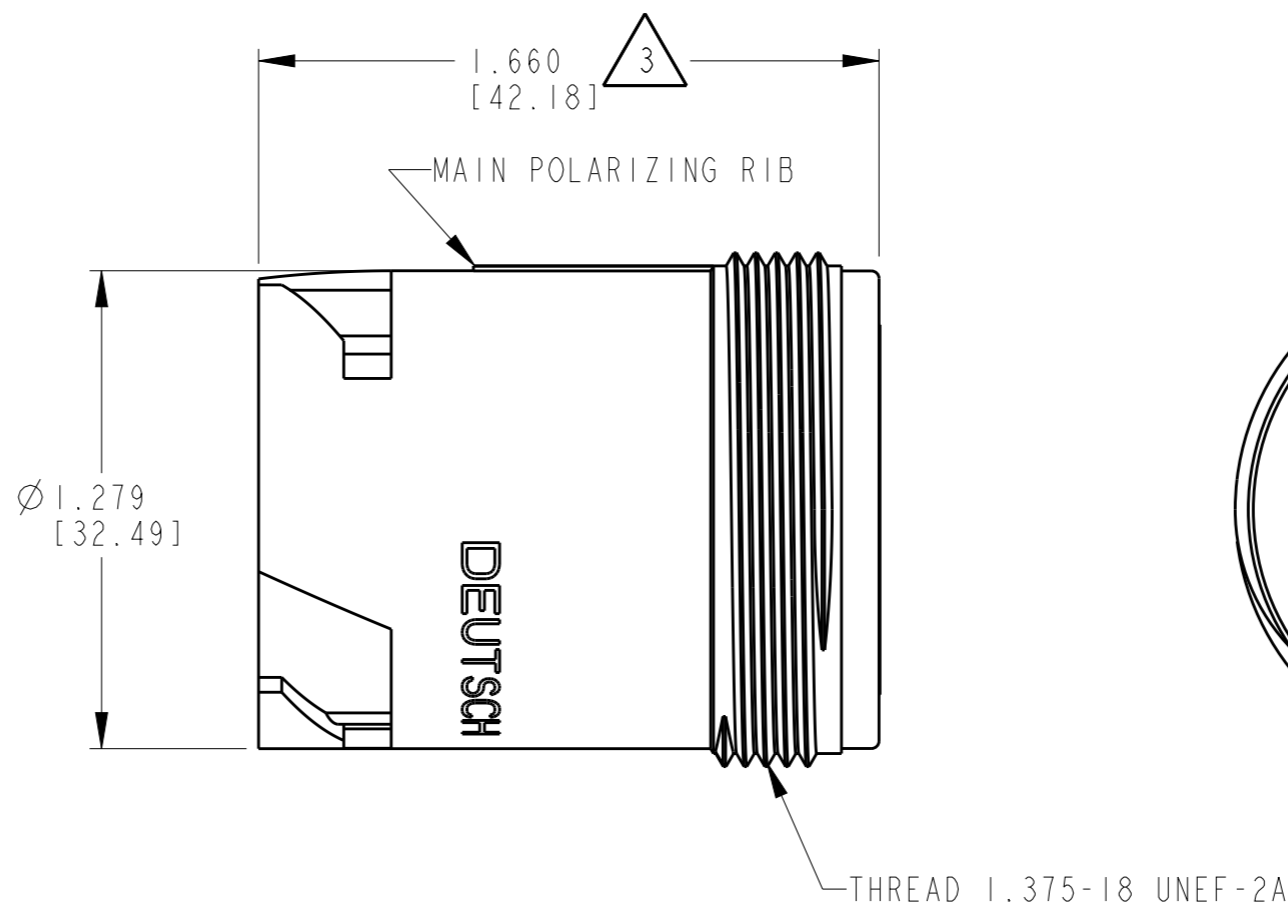
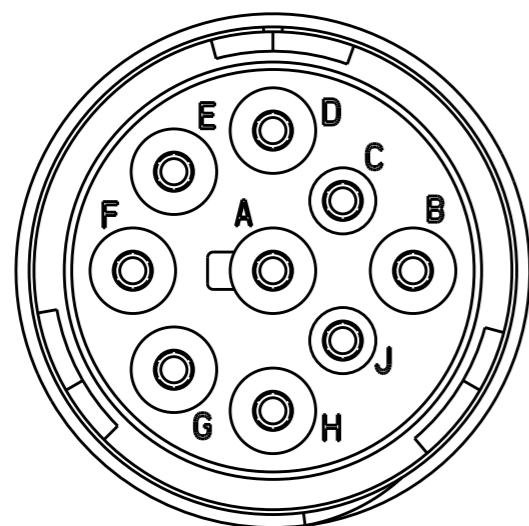
LOC DIST

REVISIONS

© COPYRIGHT 20

ALL RIGHTS RESERVED.

P	LTR	DESCRIPTION	DATE	DWN	APVD
	NC	NEW RELEASE PER E.O. PI5120	10-7-96	JN	RDR
	A	REVISED PER E.O. PI5192	1-7-97	JN	RDR
	AI	REVISED PER ECO-13-019591	11-12-13	JA	IG



4. MATERIAL: SHELL: PLASTIC; SEAL: RUBBER.


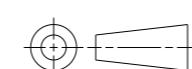
3 OVERALL DIMENSION DOES NOT INCLUDE RUBBER GROMMET.

2. THIS CONNECTOR SERIES WILL ACCOMMODATE THE FOLLOWING WIRE INSULATION DIAMETERS.

CONTACT SIZE	MINIMUM O.D.	MAXIMUM O.D.	WIRE GAGE RANGE
16	.100 (2.54)	.150 (3.81)	18 THRU 14

- PERTINENT INFORMATION:
18 & 16 AWG POWER CONTACTS SOC. # 0460-202-16141.
16 & 14 AWG POWER CONTACTS SOC. # 0460-215-16141.

NOTES: UNLESS OTHERWISE SPECIFIED

THIS DRAWING IS A CONTROLLED DOCUMENT.		DWN 12NOV2013 JAIME C. APOSTOL	 TE Connectivity	
DIMENSIONS: INCHES [mm]		CHK 11-12-13 ILINA GRANTCHAROVA		
TOLERANCES UNLESS OTHERWISE SPECIFIED:		APVD 11-12-13 ILINA GRANTCHAROVA	RECEPTACLE CONNECTOR HD10 SERIES ARR. 9-1939 COLOR: BLACK	
 0 PLC ± 1 PLC ± 2 PLC ± 3 PLC ±.025 [.64] 4 PLC ± ANGLES ±0°30'0"		PRODUCT SPEC	SIZE	RESTRICTED TO
MATERIAL		APPLICATION SPEC	CAGE CODE	
FINISH		WEIGHT	DRAWING NO	
		Customer Drawing	A3 4AFU8	
			© HD14-9-1939P	
			SCALE NONE	SHEET 1 OF 1 REV AI