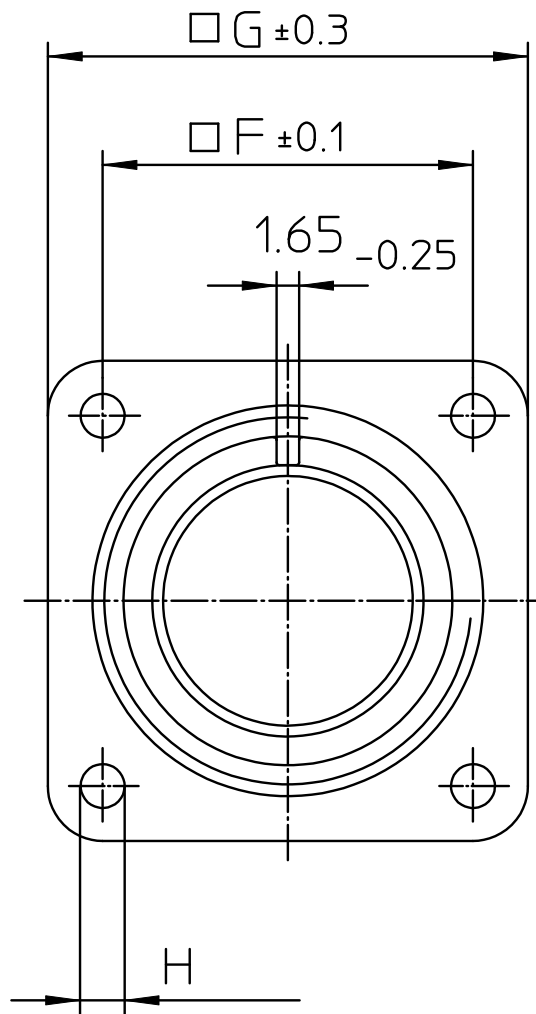
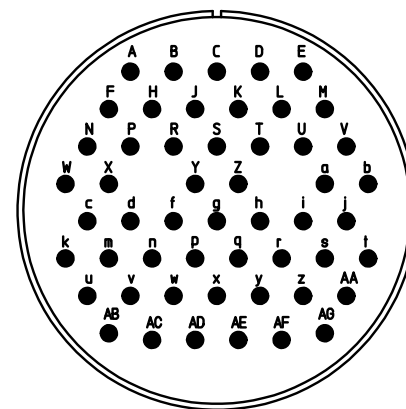


| NO. | BESCHREIBUNG / DESCRIPTION          |
|-----|-------------------------------------|
| 1   | ISOLIERKÖRPER STIFT / INSULATOR PIN |
| 5   | KONTAKTSTIFT/ CONTACT PIN           |
| 8   | DOSENGEHÄUSE / SHELL                |



| NO. | MASSE / DIMENSION |
|-----|-------------------|
| A   | 2 1/4-16UN-2A     |
| B   | 22.2              |
| C   | 4                 |
| D   | 34.2              |
| E   | 52.4              |
| F   | 49.2              |
| G   | 63.5              |
| H   | 4.4               |



Note: Due to an automatic nomenclature system, numbers generated may not be sequential.  
 Specification and Dimensions subject to change  
 Drawings illustrate normal insulator positioning

|                                |  |
|--------------------------------|--|
| <b>Material Specification:</b> |  |
| Shell Material:                | Aluminium alloy                                  |
| Shell Plating:                 | Olive drab chromate coating over cadmium plating |
| Insulator Material:            | Neoprene   |
| Contact Material:              | Copper alloy                                     |
| Contact Plating:               | Hard silver                                      |

all dimensions are in mm  
 Dimensions without tolerance indications are general tolerances in acc. with DIN7168m

drawing for  
**CUSTOMER**

description **CA3102E36A34P**  
 Box mounting receptacle

**ITT**  
*Engineered for life*  
 ITT CANNON GmbH  
 D - 71384 Weinstadt/Germany

Solder Cup / Pin / Layout: 36A34