

THIS DRAWING IS UNPUBLISHED.

RELEASED FOR PUBLICATION

2008

© COPYRIGHT 2008

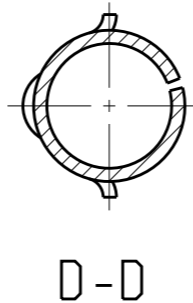
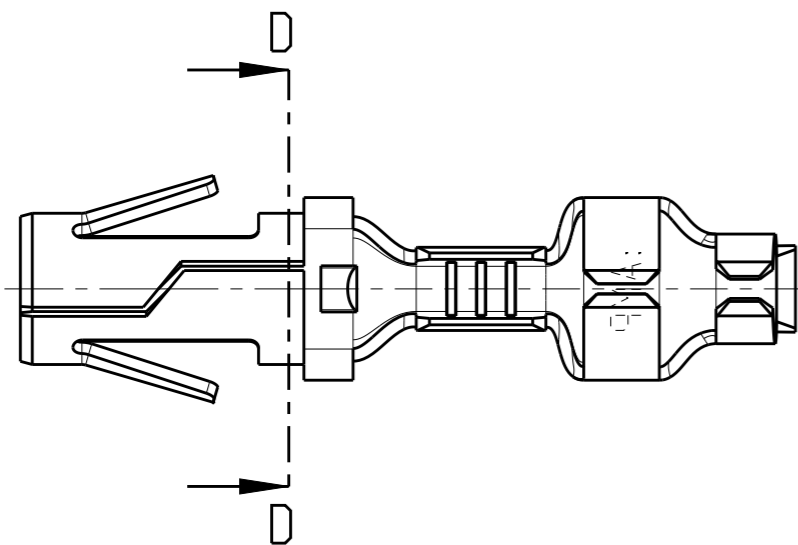
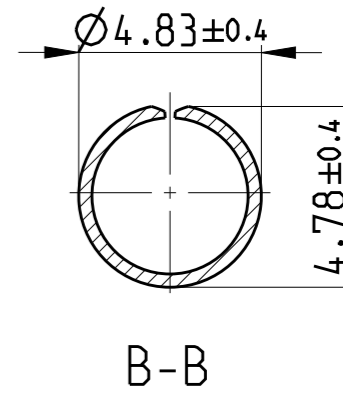
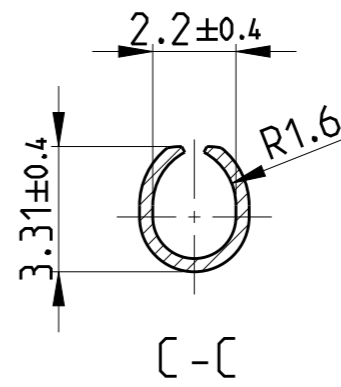
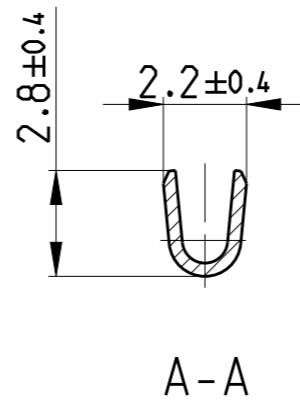
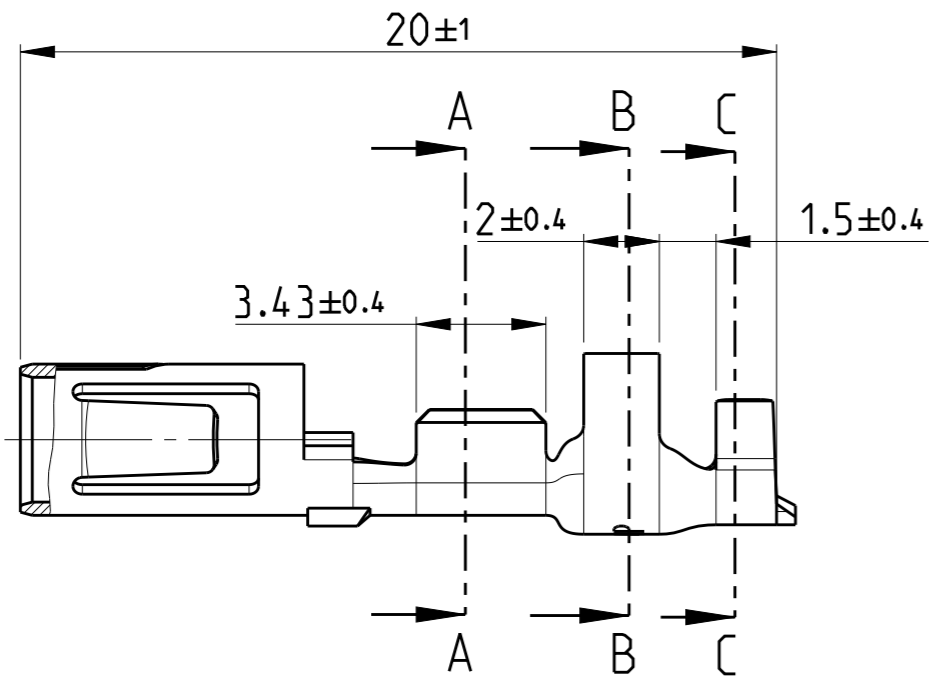
ALL RIGHTS RESERVED.

LOC
AL

DIST
2

REVISIONS

P	LTR	DESCRIPTION	DATE	DWN	APVD
A		New drawing released	25NOV2008	J.S	P.E.G
A1		ECR-10-026307	15JUN11	KK	HMR
A2		REVISED PER ECR-20-005051	27OCT2020	SS	VS



Cross section in mm ²		0.5	0.75	1.0	1.5	2.0	2.5	3.0	4.0	6.0
Single connection	0.5	X	X							
	0.75	X								
	1.0	X								
	1.5									
	2.0									
	2.5									
	3.0									
	4.0									
	6.0									

Terminal conductor: FLK-Cable
 Conductor : F-Crimp
 Insulation : O-Crimp

Wire size: 0.5-1.0 mm²

OBSOLETE	Silver	Phosphor Bronze	927844-4
OBSOLETE	Plain	Phosphor Bronze	927844-3
	Pre-tin	Phosphor Bronze	927844-2
OBSOLETE	Pre-tin	Brass	927844-1
	Finish	Material	Part no.

DIMENSIONS:		TOLERANCES UNLESS OTHERWISE SPECIFIED:	
mm		±0.2	
	0 PLC	±	
	1 PLC	±0.2	
	2 PLC	±	
	3 PLC	±	
	4 PLC	±	
	ANGLES	±1° 30'	
MATERIAL	see table	FINISH	see table

DWN	J. Salo	25NOV2008
CHK	R. Sole	25NOV2008
APVD	P.F. Grassano	25NOV2008
PRODUCT SPEC	-	
APPLICATION SPEC	-	
WEIGHT	-	
CUSTOMER DRAWING		

		TE Connectivity	
NAME .140 DIA SOCKET			
SIZE	CAGE CODE	DRAWING NO	RESTRICTED TO
A3	-	C-927844	
SCALE	SHEET	OF	REV
5:1	1	1	A2