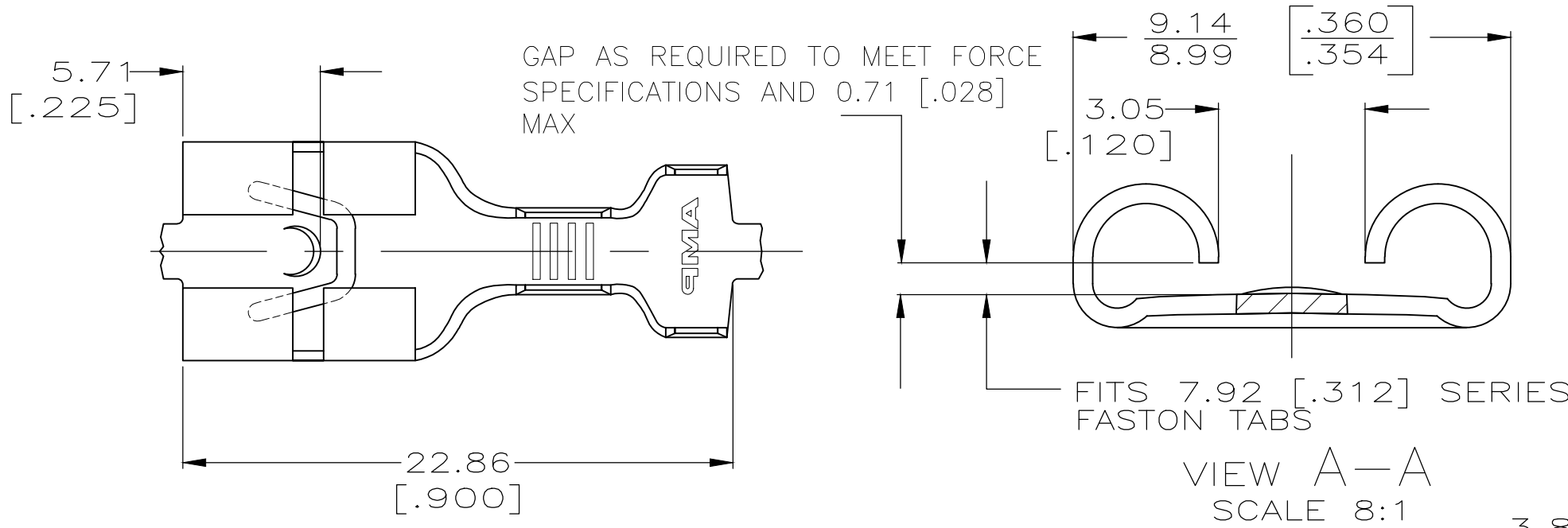


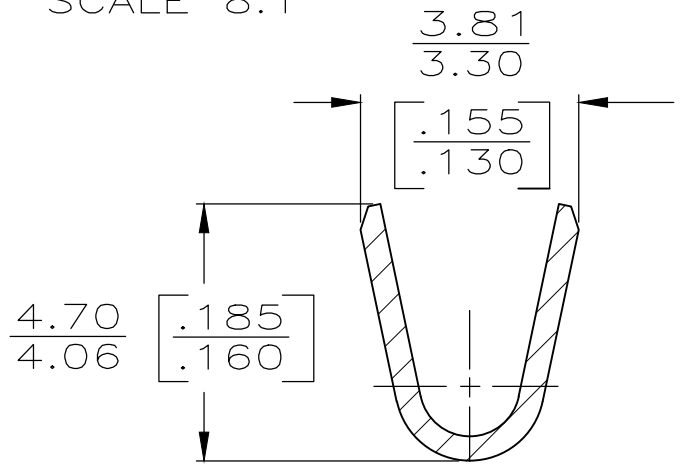
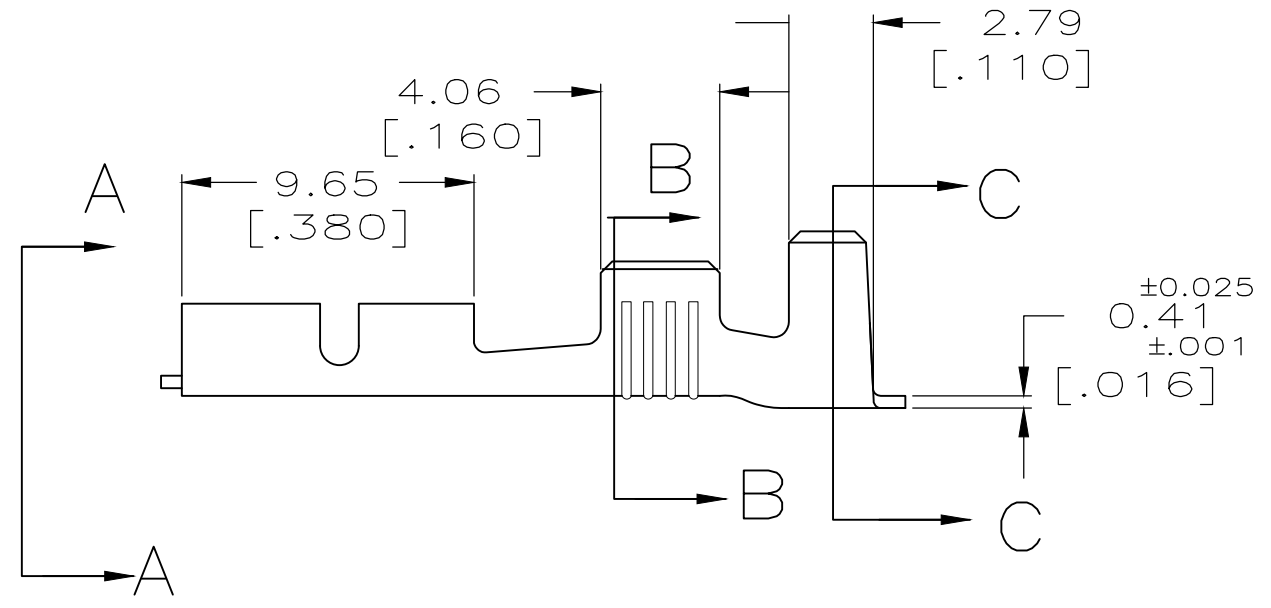
THIS DRAWING IS UNPUBLISHED. RELEASED FOR PUBLICATION
 © COPYRIGHT - By - ALL RIGHTS RESERVED.

LOC	DIST	REVISIONS					
AF	50	P	LTR	DESCRIPTION	DATE	DWN	APVD
			H1	REVISED PER ECR-20-009164	20JUL2020	MK	DH

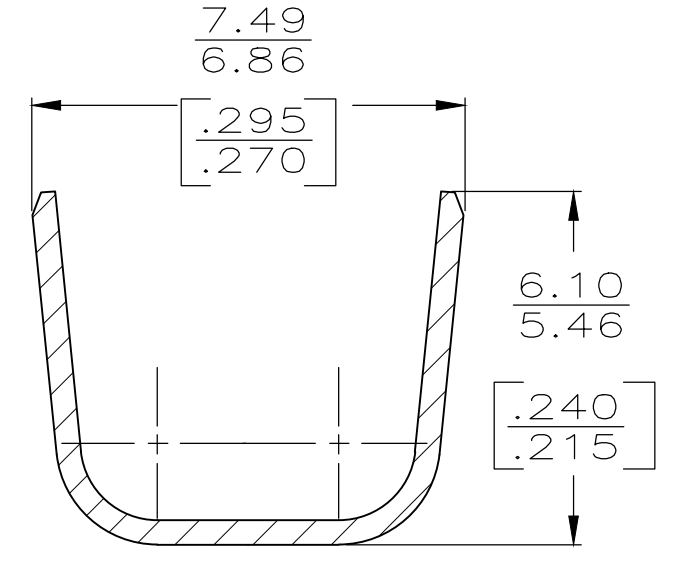


- 1 CONTINUOUS STRIP ON REELS.
- 2 MATING TAB THK TO BE 0.84-0.76 [.033-.030].
- 3 WIRE SIZE IS [#16-#12] AWG.
- 4 INSULATION RANGE IS 4.06 OR (2) 3.30 [.160 OR (2) .130].

VIEW A-A
SCALE 8:1



SECTION B-B
SCALE 8:1



SECTION C-C
SCALE 8:1

F	6.35 [.250]	5.59 [.220]	F	3.05 [.120]	1.75 [.069]	1.3mm ² [16]
					1.96 [.077]	2.0mm ² [14]
					2.29 [.090]	3.0mm ² [12]
					1.96 [.077]	1.3 + 0.8mm ² [16 + 18]
					2.11 [.083]	TWO 1.3mm ² [TWO #16'S]
					1.85 [.073]	TWO 0.8mm ² [TWO #18'S]
TYPE	WIDTH	STRIP LENGTH ±0.38 ±[.015]	TYPE	WIDTH	HEIGHT	WIRE
INSUL BARREL CRIMP			WIRE BARREL CRIMP			

THIS DRAWING IS A CONTROLLED DOCUMENT.

DIMENSIONS: mm [INCHES]	TOLERANCES UNLESS OTHERWISE SPECIFIED:
	0 PLC ± -
	1 PLC ± -
	2 PLC ± 0.25 [.010]
	3 PLC ± -
	4 PLC ANGLES ± -
MATERIAL BRASS	FINISH SEE TABLE

DWN	JR RUTH	9/29/92
CHK	MS FEHER	9/29/92
APVD	C MEYERS	9/29/92
PRODUCT SPEC	-	
APPLICATION SPEC	114-2036	
WEIGHT	-	
CUSTOMER DRAWING		

-	63677-2
TIN	63677-1
FINISH	PART NO
STE TE Connectivity	
RECEPTACLE, FASTON, 7.92 [.312] SERIES	
SIZE	A3
CAGE CODE	00779
DRAWING NO	C-63677
RESTRICTED TO	-
SCALE	4:1
SHEET	1 OF 1
REV	H1