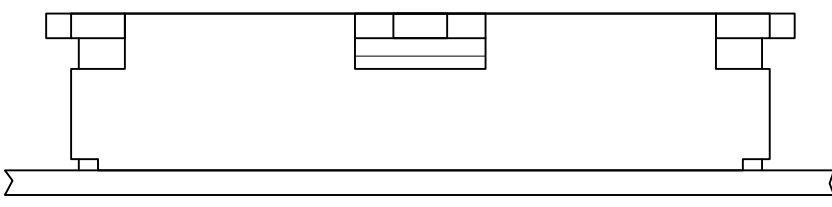
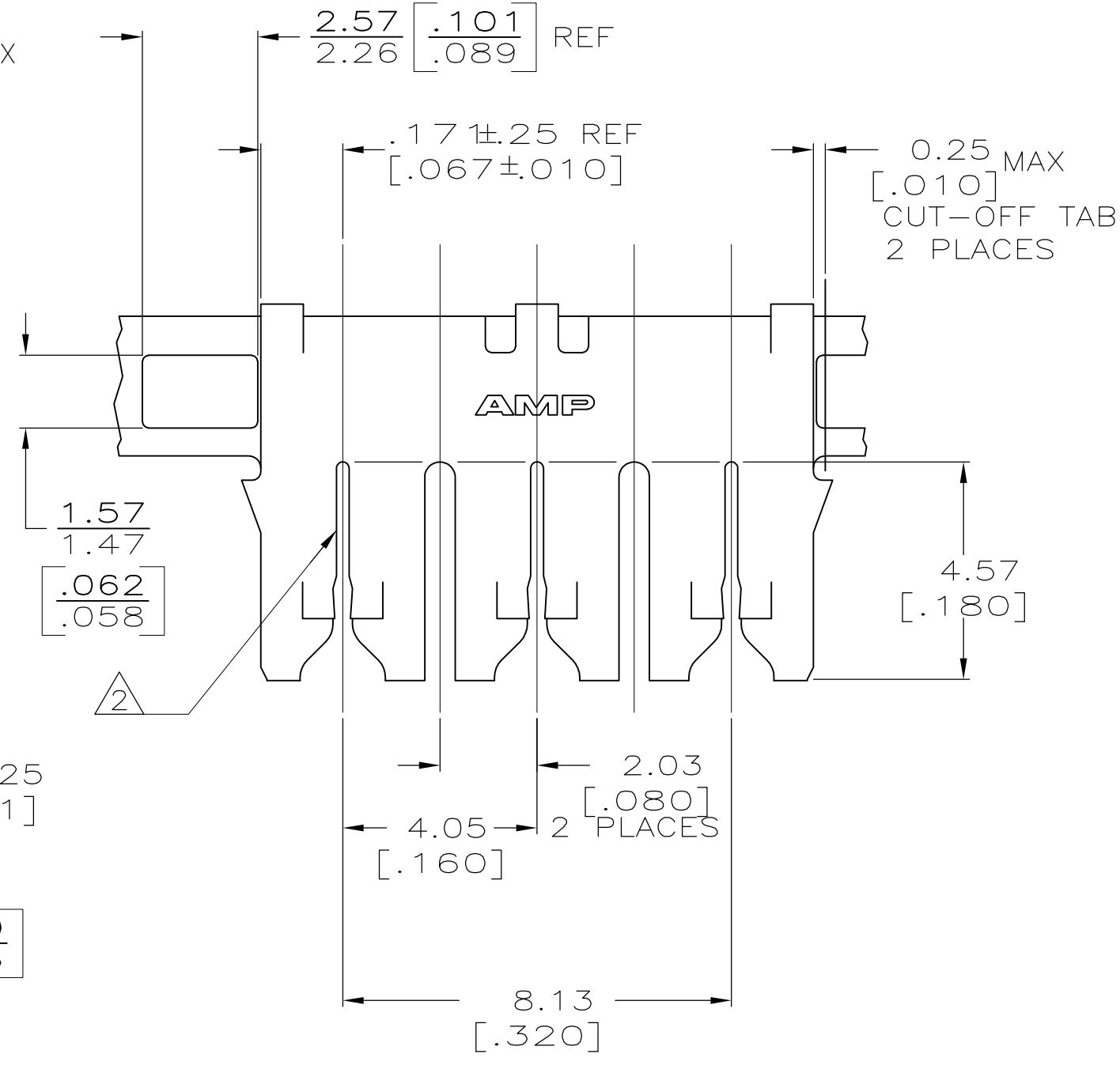
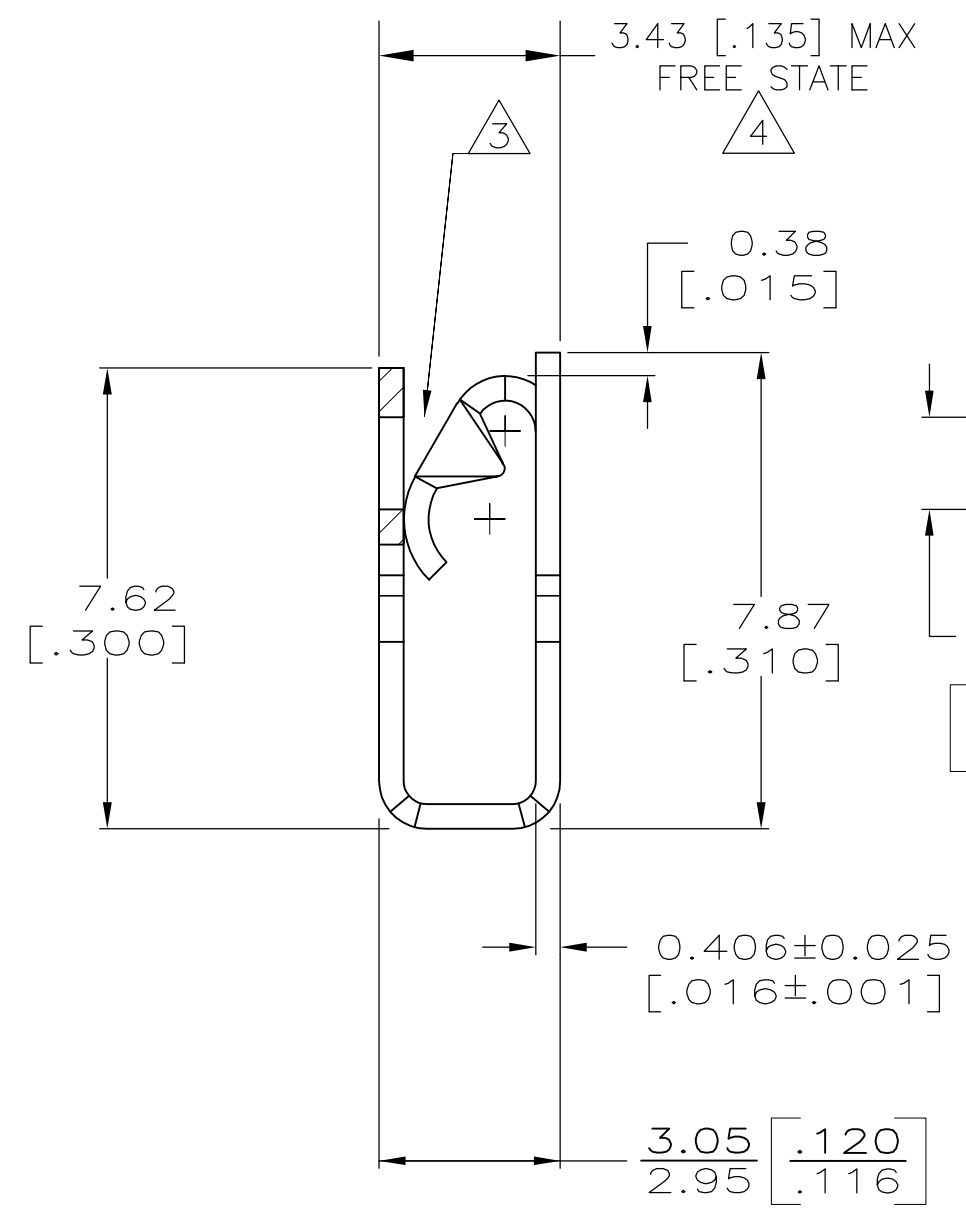
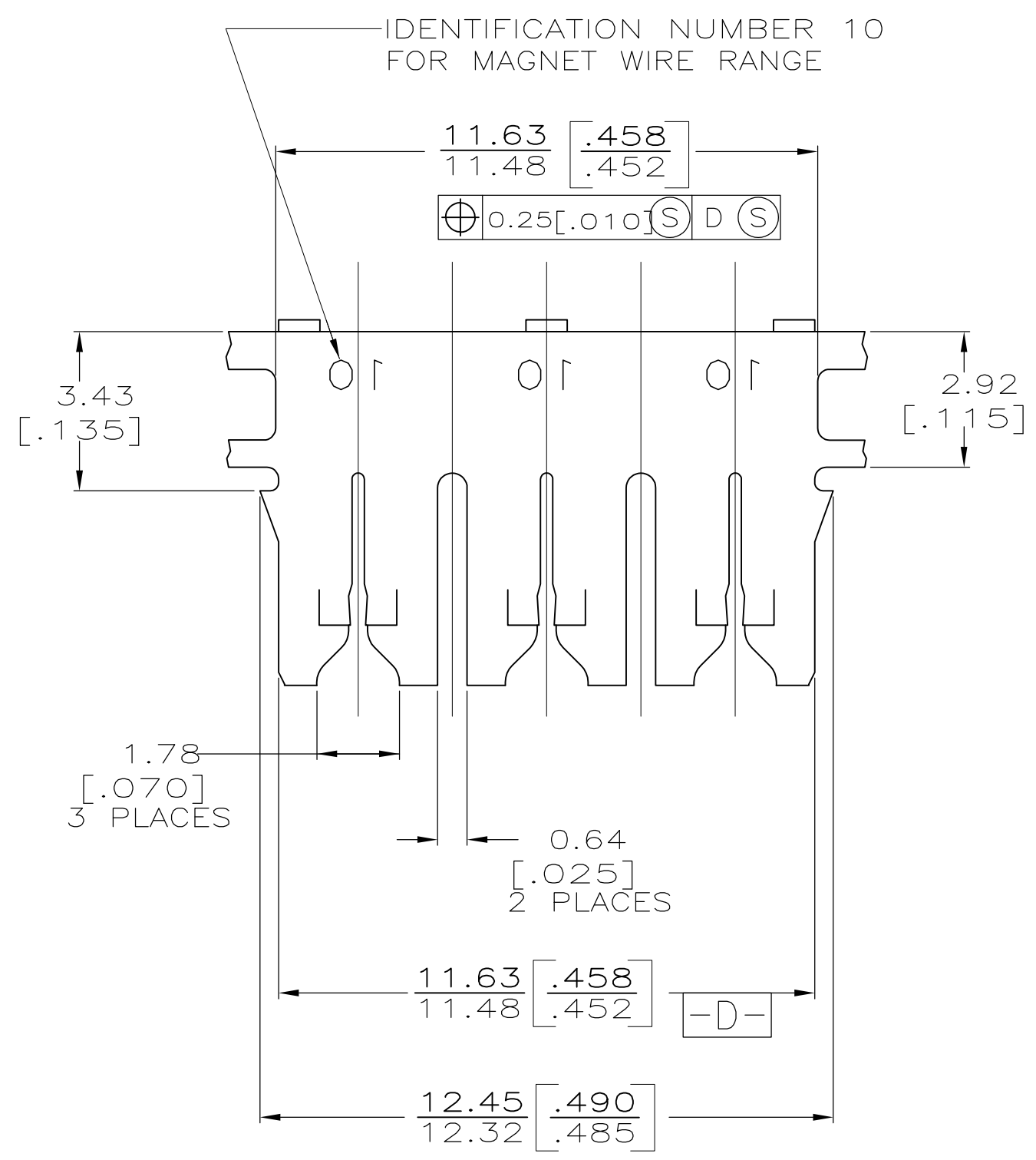


THIS DRAWING IS UNPUBLISHED. RELEASED FOR PUBLICATION
 © COPYRIGHT - By - ALL RIGHTS RESERVED.

| LOC | DIST | REVISIONS | | | |
|-----|------|-------------|---------------|---------|---------|
| P | LTR | DESCRIPTION | DATE | DWN | APVD |
| AF | 50 | E1 | ECR-13-017177 | 05NOV13 | PKS/RRP |



- 1 CONTINUOUS STRIP ON REELS (NO SPLICES) WITH TERMINALS LOCATED ON 13.97±0.08 [.550±.003] CENTERS.
- 2 SLOTS ACCEPT A SINGLE 0.36-0.57mm [#27-#23] AWG COPPER MAGNET WIRE.
- 3 MATES WITH STANDARD MAG-MATE STYLED POKE-IN TAB TERMINAL.
- 4 DIMENSION APPLIES WITH LEAF EDGE TOUCHING CARRIER SIDE OF BOX.



63632-1
 PART NUMBER

| | | | | |
|--|--|-----------------------------------|---------------------------|--|
| THIS DRAWING IS A CONTROLLED DOCUMENT. | | DWN 12/3/91 MICHAEL S. FEHER | TE TE Connectivity | |
| | | CHK 12/3/91 PHILLIP M. FORTNEY | | |
| DIMENSIONS: INCHES | | APVD - | | NAME |
| TOLERANCES UNLESS OTHERWISE SPECIFIED: | | PRODUCT SPEC | | SPECIAL LEAF CONTACT, TRI-SLOT, MAG-MATE |
| 0 PLC ± - | | APPLICATION SPEC | | 108-2012 |
| 1 PLC ± - | | WEIGHT | | 91-7079-026 |
| 2 PLC ± .15 [.006] | | SCALE | | A2 00779 C=63632 |
| 3 PLC ± - | | SHEET | | 1 OF 1 |
| 4 PLC ± - | | REV | | E1 |
| ANGLES ± - | | CUSTOMER DRAWING | | |
| FINISH | | MATERIAL | | |
| TIN PLATE | | BRASS | | |