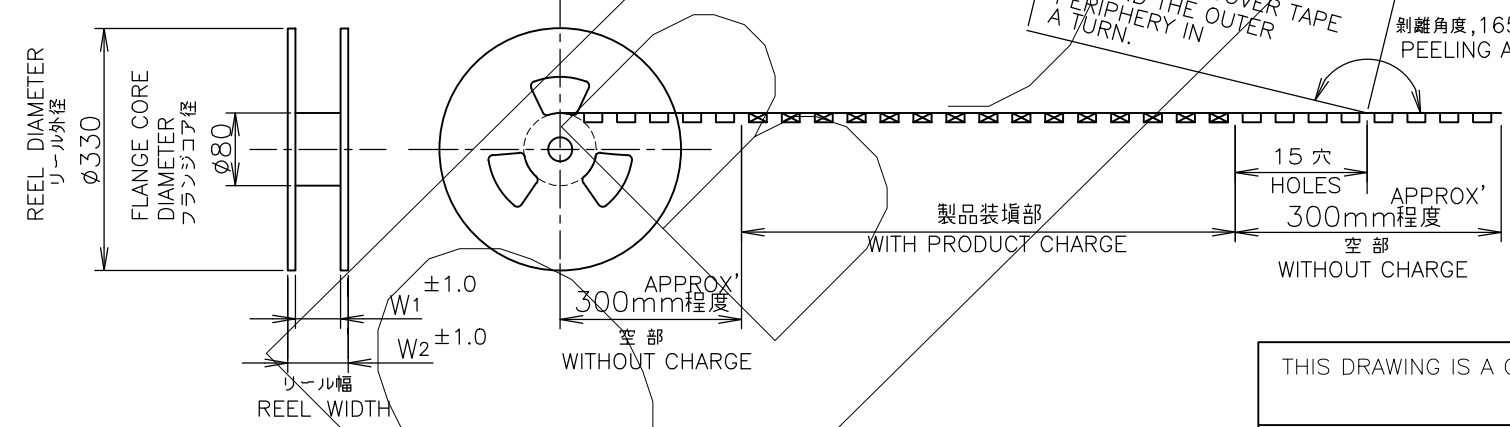
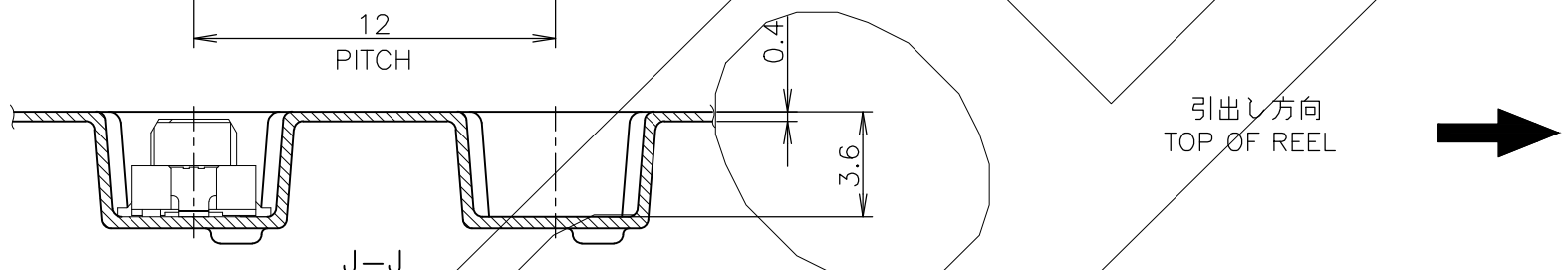
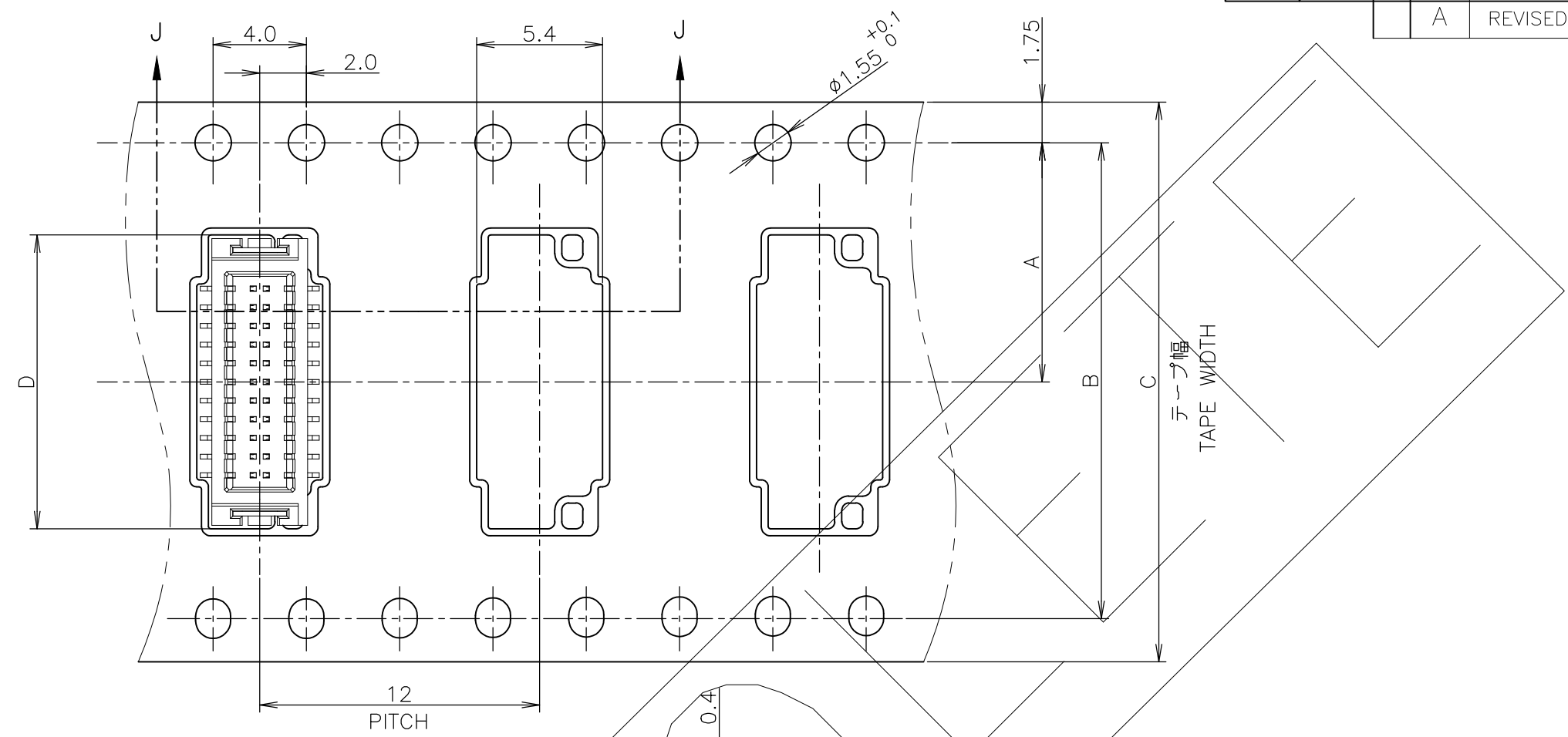


THIS DRAWING IS UNPUBLISHED. RELEASED FOR PUBLICATION . DEC 2004  
 © COPYRIGHT 2004 BY TYCO ELECTRONICS CORPORATION. ALL RIGHTS RESERVED.

LOC	DIST	REVISIONS					
J	/	P	LTR	DESCRIPTION	DATE	DWN	APVD
		A		REVISED PER ECO-19-009987	28JUN2019	R.L	H.L



カバーテープ  
リーダー部  
外周一巻  
WEEDING THE COVER TAPE  
AROUND THE OUTER  
PERIPHERY IN  
A TURN.  
剥離角度, 165°~180°  
PEELING ANGLE.

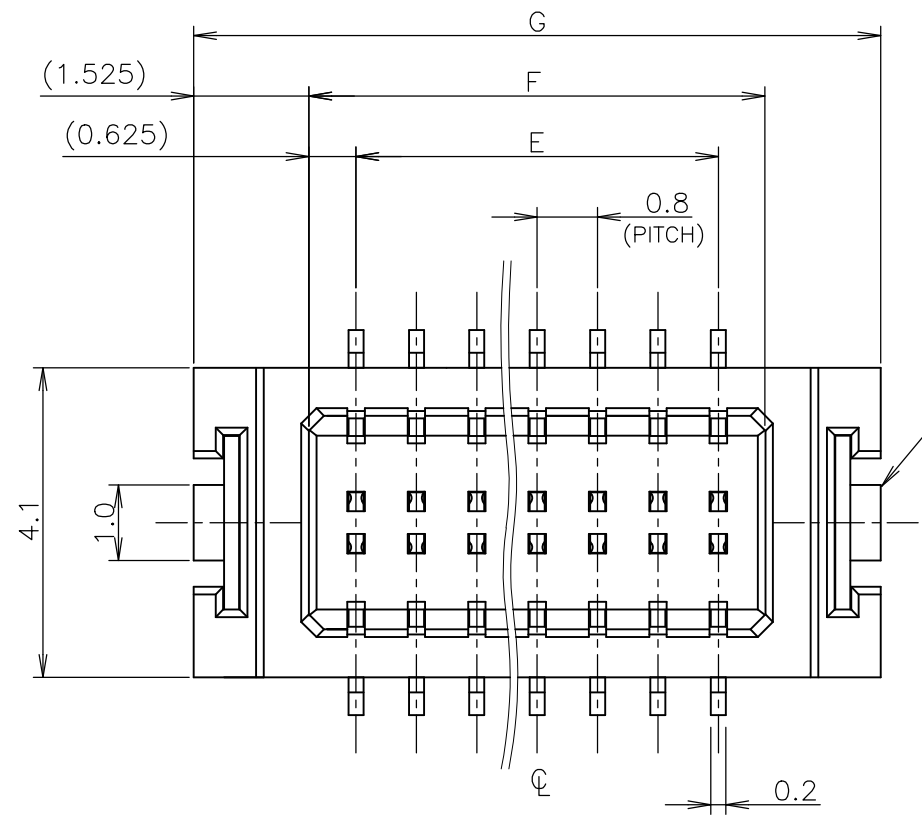
48.7	45.5	23.8	44	40.4	20.2	1000	50	5-5316464-0
W <sub>2</sub>	W <sub>1</sub>	D	C	B	A	数量 (ヶ) QTY/REEL	極数 POS	リール巻 コネクタ型番 TAPING P/N

THIS DRAWING IS A CONTROLLED DOCUMENT.		DWN M.IWASAKI 27DEC04		Tyco Electronics AMP K.K. Kawasaki, Japan	
DIMENSIONS: 単位: 耗 mm		CHK Y.NAKAZAWA 27DEC04		NAME T.KUSUHARA 27DEC04	
TOLERANCES UNLESS OTHERWISE SPECIFIED. 一般公差		APVD T.KUSUHARA 27DEC04	ON TAPING EMBOSS 0.8mm PITCH FINE MATE CONN RECEPTACLE ASSEMBLY WITH BOSS		
0 PLC ± 1 PLC ± 2 PLC ± 3 PLC ± 4 PLC ± ANGLES ±		PRODUCT SPEC 製品規格	SIZE A3	CAGE CODE 00779	DRAWING NO C-5316464
GENERAL TOLERANCE 一般公差 10 ≥ : ±0.2 30 ≥ > 10: ±0.25 100 ≥ > 30: ±0.3 ANGLES: ±3°		APPLICATION SPEC 取付適用規格	RESTRICTED TO	SCALE 尺度 4:1	
MATERIAL 材料		WEIGHT	SHEET 1 OF 2		REV A

THIS DRAWING IS UNPUBLISHED.  
 RELEASED FOR PUBLICATION . DEC 2004  
 © COPYRIGHT 2004 BY TYCO ELECTRONICS CORPORATION. ALL RIGHTS RESERVED.

LOC	DIST	REVISIONS		
J		変更	DATE	DWN
		DESCRIPTION		APVD
		SEE SHEET 1	-	-

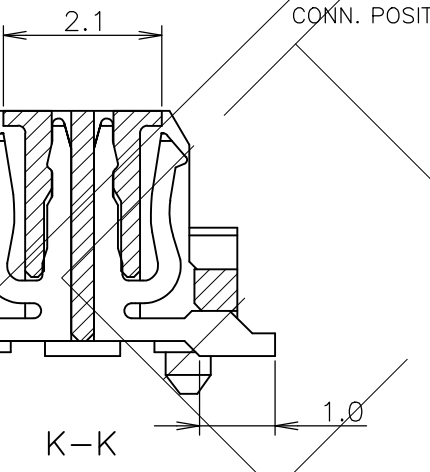
本図: コネクタ図  
 AS SHOWN: CONNECTOR DWG



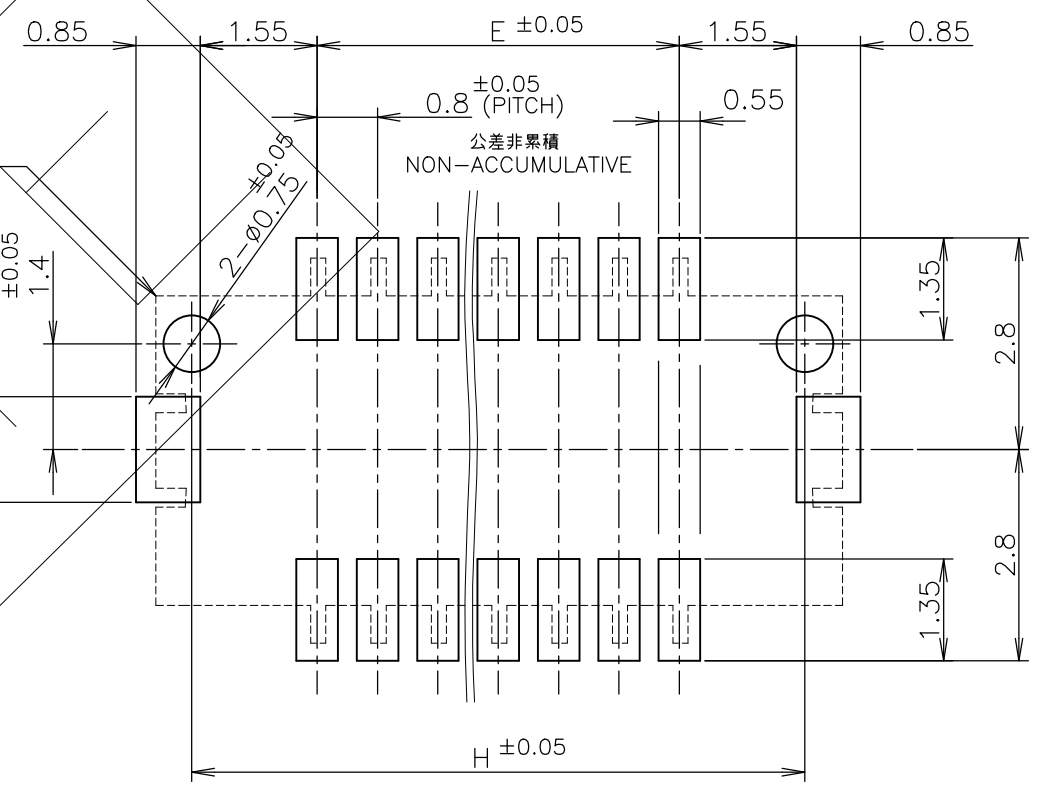
リセプタクルハウジング  
 RECEPTACLE HOUSING

テールプレート  
 TAIL PLATE

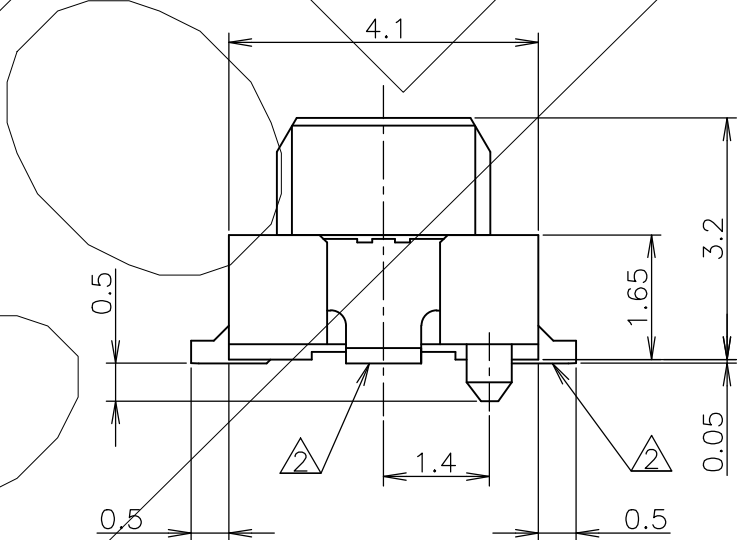
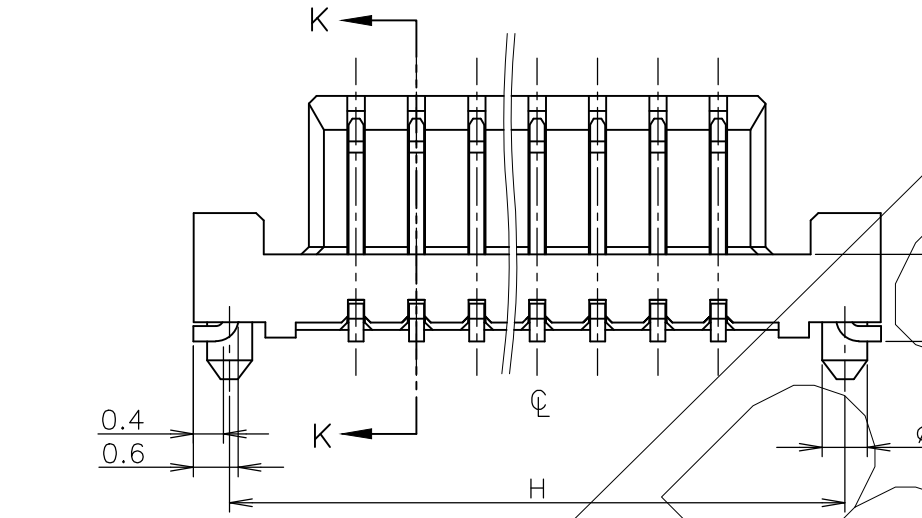
リセプタクルコンタクト  
 RECEPTACLE CONTACT



K-K



参考基板加工寸法  
 REFERENCE P.C BOARD LAYOUT



- 1 材料: リセプタクルハウジング: 46ナイロン (耐熱性樹脂)  
 リセプタクルコンタクト: 銅合金 (t=0.2mm) 金めっき  
 テールプレート: 銅合金 (t=0.2mm) 錫めっき

△ 全てのタイン部及びテールプレートのバラツキは 0.1mm MAX.

- 1 MATERIAL  
 REC HOUSING: 46 NYLON (HIGH HEAT-RESISTED RESIN)  
 REC CONTACT: COPPER-ALLOY (t=0.2mm) Au PLATING  
 TAIL PLATE: COPPER-ALLOY (t=0.2mm) POST TIN PLATING

△ MISALIGNMENT BETWEEN TAINS AND TAIL PLATE: 0.1mm MAX.

GENERAL TOLERANCE 一般公差	
10 ≥	±0.2
30 ≥ > 10	±0.25
100 ≥ > 30	±0.3
ANGLES: ±3°	

THIS DRAWING IS A CONTROLLED DOCUMENT.	
DIMENSIONS: 単位: 耗 mm	TOLERANCES UNLESS OTHERWISE SPECIFIED: 一般公差
0 PLC ±	1 PLC ±
2 PLC ±	3 PLC ±
4 PLC ±	ANGLES ±
MATERIAL 材料	FINISH 仕上

INSTRUCTION SHEET 取扱説明書	22.55	23.5	20.45	19.2	50	5-5316464-0
411-5808	H	G	F	E	極数 POS	型番 PART NO
DWN	<b>tyco</b> Tyco Electronics AMP K.K.					
CHK	<b>Electronics</b> Kawasaki, Japan					
APVD	NAME 名称					
PRODUCT SPEC 製品規格	ON TAPING EMBOSS					
108-5512	0.8mm PITCH FINE MATE CONN					
APPLICATION SPEC 取付適用規格	RECEPTACLE ASSEMBLY WITH BOSS					
WEIGHT	SIZE	CAGE CODE	DRAWING NO 番号	RESTRICTED TO		
	A3	00779	G-5316464	-		
CUSTOMER DRAWING	SCALE 尺度	10:1	SHEET 2	OF 2	REV	A