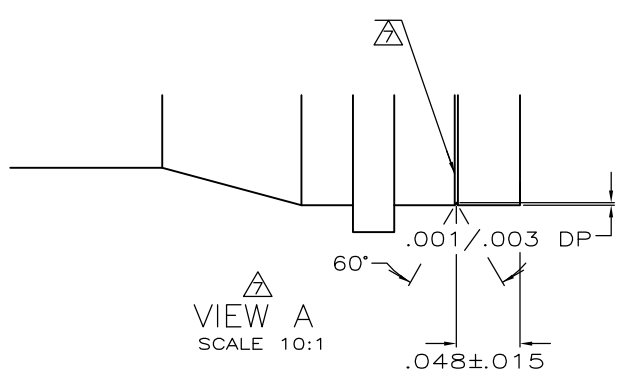
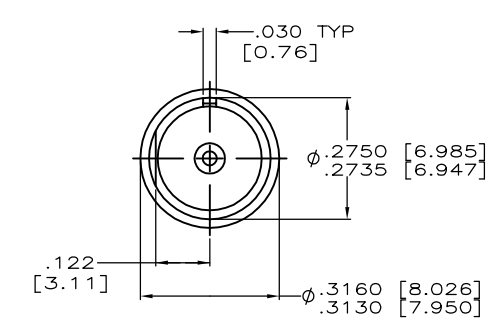
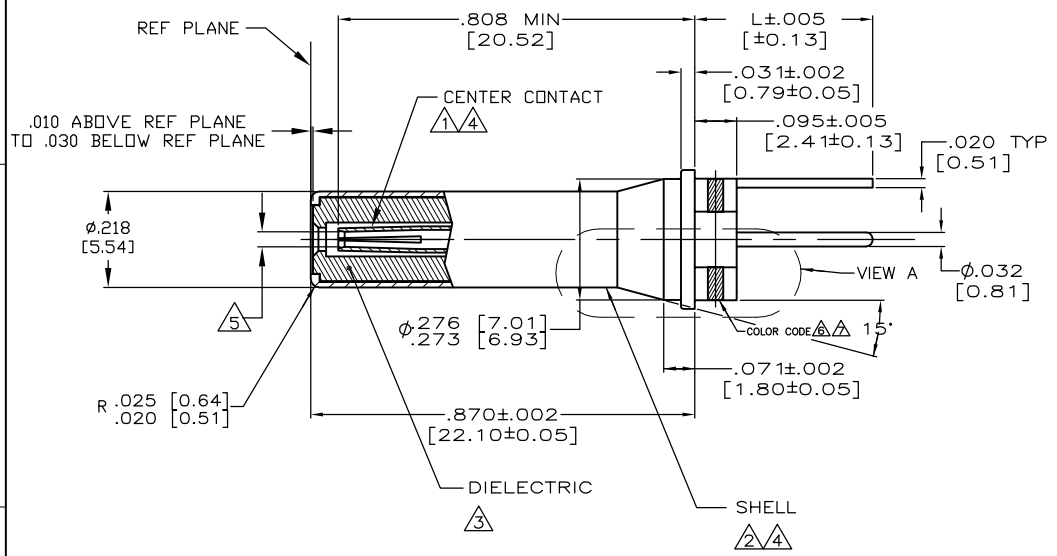


THIS DRAWING IS UNPUBLISHED. RELEASED FOR PUBLICATION
 © COPYRIGHT - By - ALL RIGHTS RESERVED.

REVISIONS				
REV	DESCRIPTION	DATE	BY	APP'D
F1	REV PER ECO 18-005508	5-1-18	CT	FB



- 1 BERYLLIUM COPPER PER ASTM-B-196
- 2 BRASS PER ASTM-B-16.
- 3 PTFE PER ASTM-D-1710.
- 4 GOLD PLATE PER MIL-G-45204, TYPE 1, GRADE C, CLASS 1 OVER NICKEL PLATE PER QQ-N-290, CLASS 2, .000050 [0.00127] THK.
- 5 SOCKET MATES WITH .040±.001 [0.76±0.03] PIN MIN SEPARATION FORCE: 1.5 OUNCES
- 6 COLOR CODE PER MIL-C-39029, .020-.050 [0.51-1.27] WIDTH
- IF PART DOES NOT HAVE COLOR CODE GROOVE WILL BE PRESENT

PRELIMINARY- NOT RELEASED FOR PRODUCTION	.652 [16.6]	448540-5
	.300 [7.62]	448540-4
	.525 [13.33]	448540-3
	.402 [10.21]	448540-2
	DIM L	PART NUMBER

THIS DRAWING IS A CONTROLLED DOCUMENT.		OWN C.C.THOMAS 10-15-92	TE Connectivity	
DIMENSIONS: INCHES [mm]		CHK C.SHELLY 10-15-92	NAME	
TOLERANCES UNLESS OTHERWISE SPECIFIED: 0 PLC ± - 1 PLC ± - 2 PLC ± - 3 PLC ± .001 [0.03] 4 PLC ± - ± Z		APP'D C.SHELLY 10-15-92	PIN, COAX PCB, SIZE B, ARINC-TRIAx	
MATERIAL 1 2 3		FINISH 4	PRODUCT SPEC APPLICATION SPEC	RESTRICTED TO
WEIGHT 0		SIZE A2	CAGE CODE 00779	DRAWING NO 448540
CUSTOMER DRAWING		SCALE 5:1	SHEET 1 of 1	REV F1

448540