

THIS DRAWING IS UNPUBLISHED.

RELEASED FOR PUBLICATION

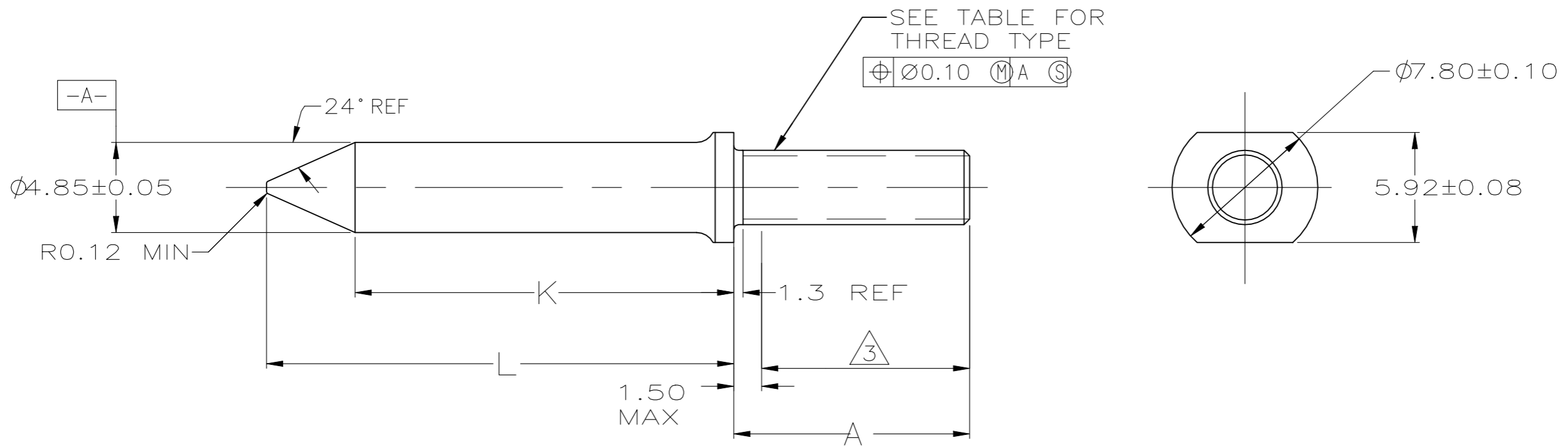
-, -

© COPYRIGHT - By -

ALL RIGHTS RESERVED.

LOC	DIST	REVISIONS					
AD	47	P	LTR	DESCRIPTION	DATE	DWN	APVD
		G4		IN ZONE B2 DIM 1.3 WAS 0.5	07NOV2022	DP	SH

- ① MATERIAL: STAINLESS STEEL.
- ② FINISH: PASSIVATE.
- ③ LOCTITE DRI-LOC 204 APPLIED IN THIS AREA.
- ④ RECOMMENDED P.C. BOARD DRILLED HOLE IS "B" DIAMETER.



31.25	26.48	4.25±0.08	12.7	8-32 UNC 2A	1-223969-0
25.16	20.39	4.10±0.08	9.2	M4 X 7-6G	223969-7
25.16	20.39	4.25±0.08	12.7	8-32 UNC 2A	223969-4
25.16	20.39	4.10±0.08	12.7	M4 X 7-6G	223969-1
L	K	④ "B" DIA	A	THREAD TYPE	PART NUMBER

THIS DRAWING IS A CONTROLLED DOCUMENT.		DWN J.LOCONDRO 27MAR97	STE TE Connectivity		
DIMENSIONS: mm		CHK R.W.ELICKER 27MAR97			
TOLERANCES UNLESS OTHERWISE SPECIFIED:		APVD D.SINISI 27MAR97	NAME		
0 PLC ± -		PRODUCT SPEC	GUIDE PIN, UNIVERSAL POWER MODULE		
1 PLC ± -		APPLICATION SPEC	SIZE	CAGE CODE	DRAWING NO
2 PLC ± 0.13		WEIGHT	A3	00779	C-223969
3 PLC ± -		CUSTOMER DRAWING	SCALE	SHEET	REV
4 PLC ± -			4:1	1 OF 1	G4
ANGLES ± 2°					
MATERIAL	FINISH				
①	② ③				