

MATERIALS AND FINISHES:

BODY, CRIMP TUBE: BRASS
PLATED: GOLD (SEE TABLE)

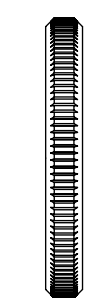
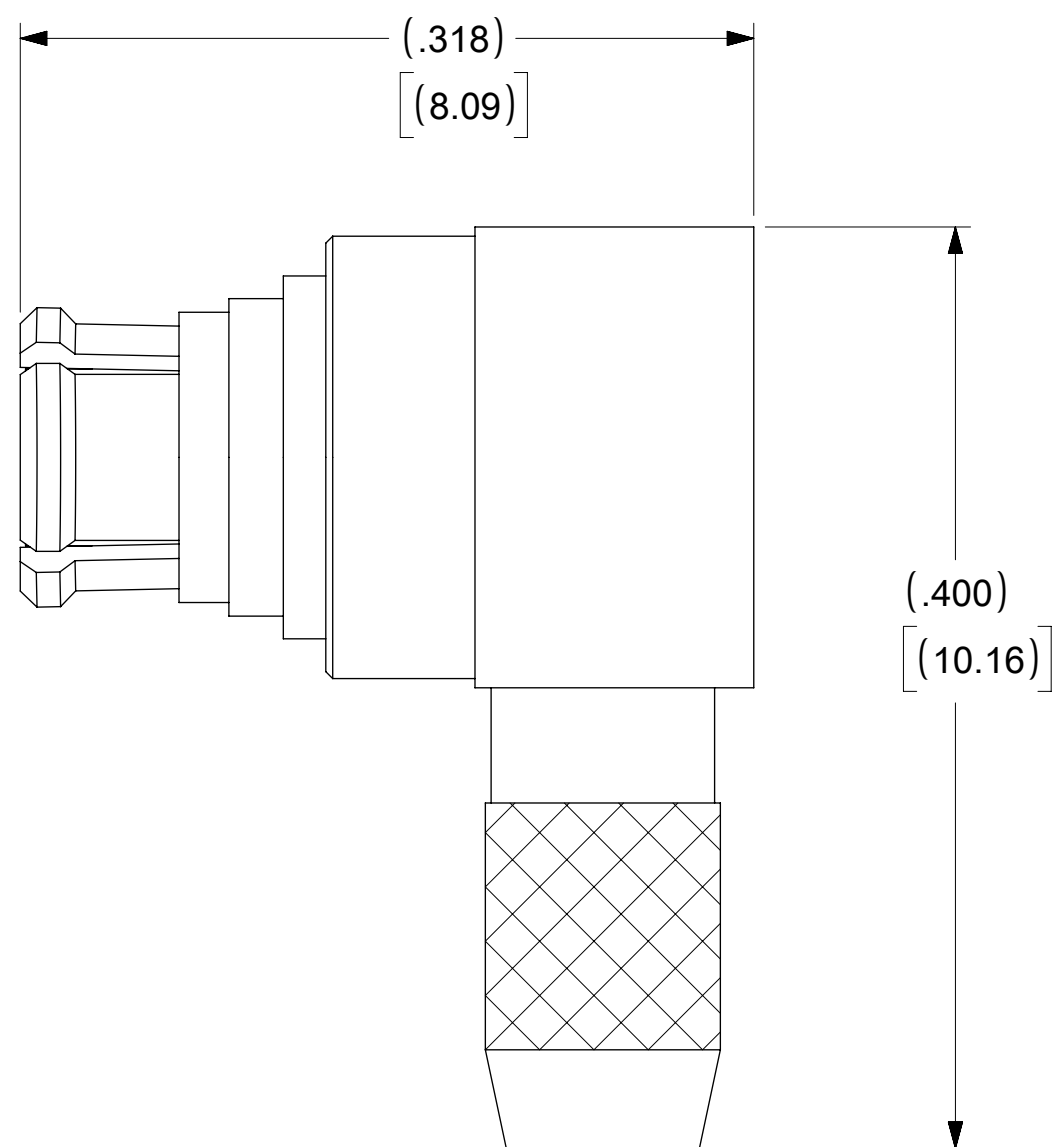
CONTACT, OUTER CONTACT: BERYLLIUM COPPER
PLATED: GOLD (SEE TABLE)

INSULATOR: PTFE

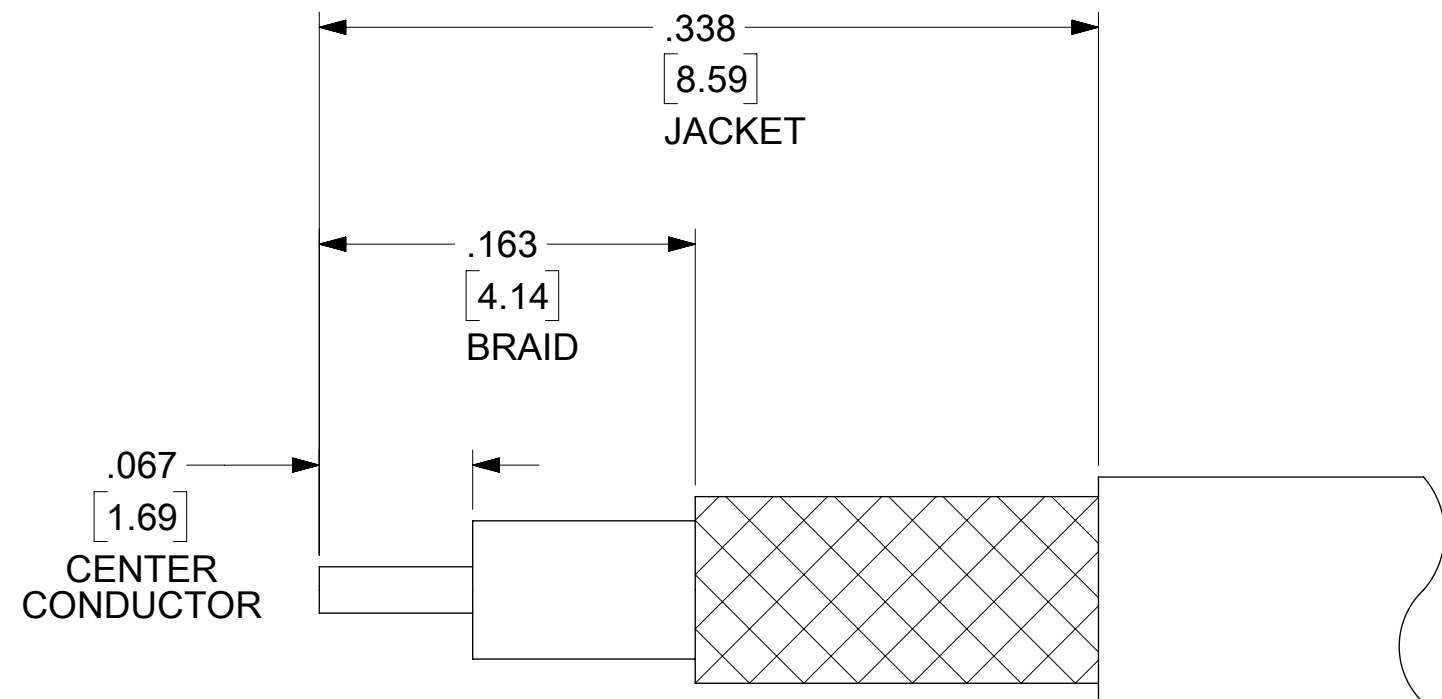
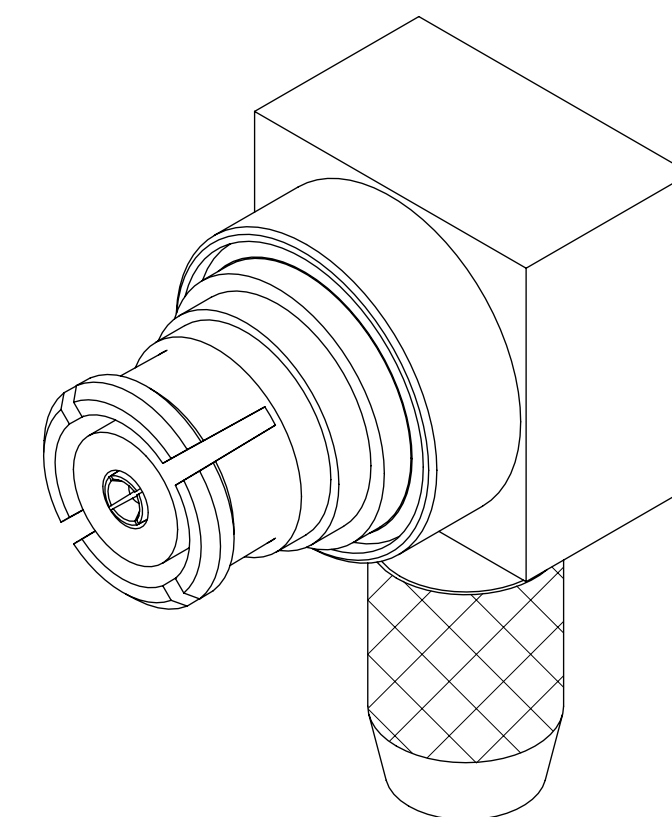
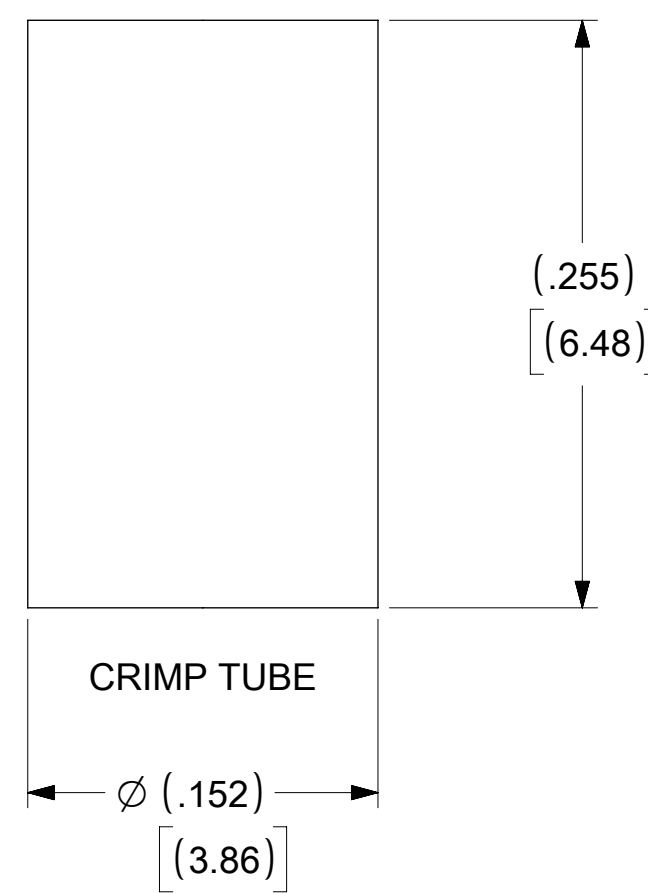
EMI RING, CAP: BRASS
PLATED: GOLD (SEE TABLE)

CRIMP USING .128 HEX DIE

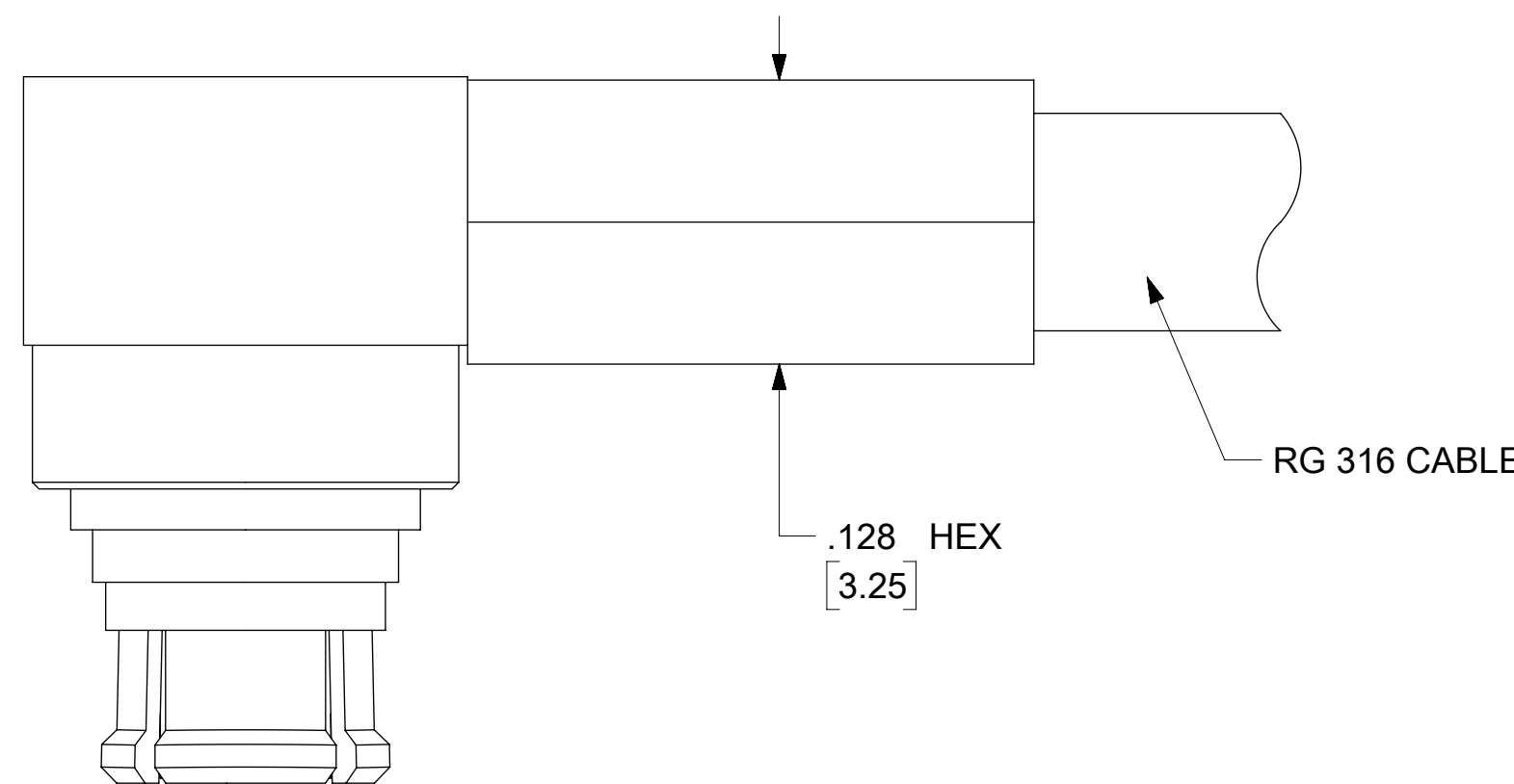
MAX OPERATING FREQUENCY - 26.5GHz



CAP



RECOMMENDED STRIP DIMENSIONS



SMP JACK INTERFACE

LABEL FORMAT FOR 0734155031:
PART NUMBER: 0734155030
ORDER NUMBER: 0734155031
MOLEX
DATE: YYWW

LABEL FORMAT FOR 0734155035:
PART NUMBER: 0734155034
ORDER NUMBER: 0734155035
MOLEX
DATE: YYWW

0734155035	0734155034 ONE BAG	895420470
0734155034	0734155033 W/GOLD FLASH BODY / STANDARD TRAY	895420040
0734155033	GOLD 8μ-in MIN / STANDARD TRAY (80 CAV.)	895420040
0734155032	0734155030 / SMALL TRAY (20 CAV.)	895420060
0734155031	0734155030 X 1 WITH LABEL PER BAG	895420088
0734155030	GOLD 10μ-in MIN / STANDARD TRAY (80 CAV.)	895420040
PART NO.	DESCRIPTION	PACKING SPEC.

MIL-STD-348, FIG. 326.1	INTERFACE			
SPECIFICATION	DESCRIPTION			
DOCUMENT STATUS	P1	RELEASE DATE	2022/08/30	02:55:00

FUNCTIONAL SYMBOLS $F_A = 0$ $F_C = 0$ $F_D = 0$ DIVISIONAL SYMBOLS	THIS DRAWING CONTAINS INFORMATION THAT IS PROPRIETARY TO MOLEX ELECTRONIC TECHNOLOGIES, LLC AND SHOULD NOT BE USED WITHOUT WRITTEN PERMISSION DIMENSION UNITS: IN/MM SCALE: NTS CURRENT REV DESC: ADD 73415-5035 PER EWR# 15321-C				
	GENERAL TOLERANCES (UNLESS SPECIFIED)				
	4 PLACES ± ± 3 PLACES ± ± 2 PLACES ± ± 1 PLACE ± ± 0 PLACES ± ±		EC NO: 718723 DRWN: ELIN 2022/08/23 CHK'D: YCHENG 2022/08/30 APPR: YCHENG 2022/08/30		
	ANGULAR TOL ± °		INITIAL REVISION: DRWN: TEF APPR: GMH 2004/06/10		
DRAFT WHERE APPLICABLE MUST REMAIN WITHIN DIMENSIONS		THIRD ANGLE PROJECTION	DRAWING C-SIZE	SERIES 73415	DOCUMENT NUMBER: 734155030 DOC TYPE: PSD DOC PART: 000 REVISION: B8
PRODUCT CUSTOMER DRAWING			MATERIAL NUMBER: SEE TABLE	CUSTOMER:	SHEET NUMBER: 1 OF 1