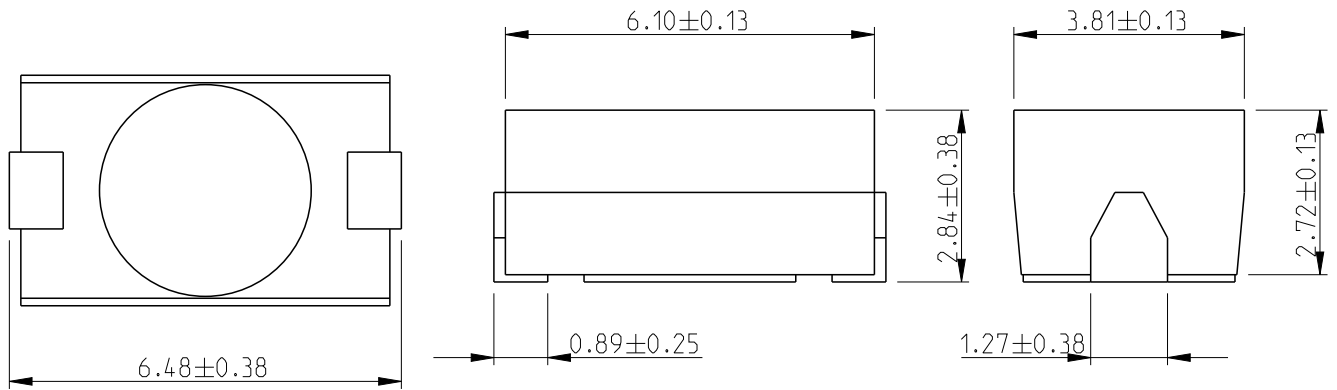


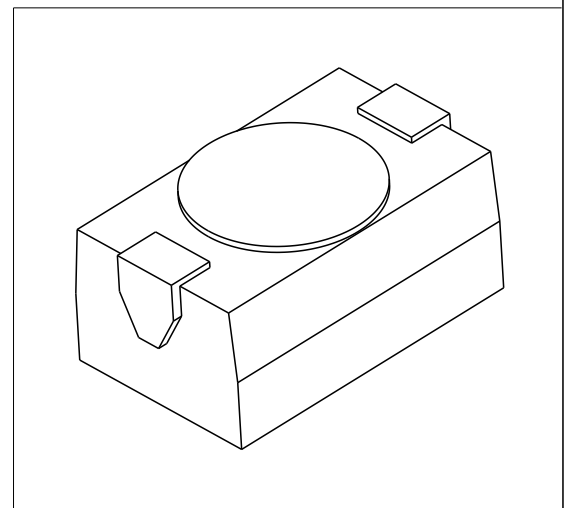
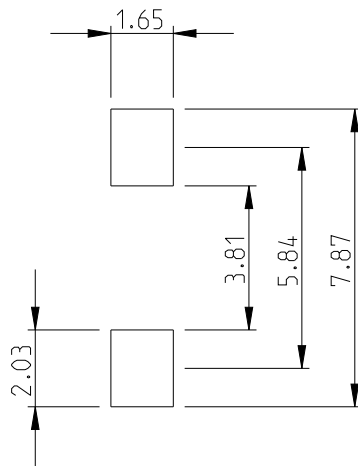
REVISIONS

P	LTR	DESCRIPTION	DATE	DWN	APVD
	BA	NEW RELEASE	10JULY2010	PT	St.P
	BA1	ECR-13-018622	28NOV2013	KR	TN

FOR FURTHER INFORMATION SEE DATA SHEET FOR SERIES S - SMD MOULDED POWER RESISTOR



RECOMMENDED LAND PATTERN



2008


RELEASED FOR PUBLICATION

ALL RIGHTS RESERVED.

THIS DRAWING IS UNPUBLISHED.

BY -

© COPYRIGHT 2008

DIMENSIONS: mm	DWN PARUSURAM.T	10JULY2010	MATERIAL	-	FINISH	-
	CHK ALLAN.P	10JULY2010	 TE Connectivity			
TOLERANCES UNLESS OTHERWISE SPECIFIED:	APVD STEPHEN.P	10JULY2010				
	0 PLC $\pm 0.2$	PRODUCT SPEC	NAME	SMD PRECISION CURRENT SENSE RESISTOR SERIES SL1		
1 PLC $\pm 0.1$			SIZE	CAGE CODE	DRAWING NO	RESTRICTED TO
2 PLC $\pm$			A 4	00779	C-1624257	-
3 PLC $\pm$			Customer Drawing			
4 PLC $\pm$			SCALE	8:1	SHEET	1 OF 1
ANGLES $\pm 5^\circ$			WEIGHT	-	REV	BA1