

## Product Change Notification

(Notification - P1705030-DIGI)

(BL201701342)

May 24, 2017

**To:** *Our Valued Digi-Key Electronics Customer*

**Overview:** The purpose of this notification is to communicate a product change of select Renesas Electronics America, Inc. (REA) devices. These devices have suggested replacements.

Select power devices are changing assembly and test sites from SP Semiconductors Pvt. Ltd. (SP, Korea) to Advanced Semiconductor Engineering, Inc. (ASE, China / Weihai).

There are no changes to electrical characteristics or reliability levels.

The new replacement devices will change the outline, packing, and markings. See the appendix for additional details.

**Affected Products:** A review of our records indicate the list of products below may affect your company.

Booking Part Number	Suggested Replacement Part Number
BCR16FM-14LB#FA0	BCR16FM-14LB#FG0
BCR3FM-12RB#GA1	BCR3FM-12RB#GG1
BCR8FM-14LB#FA0	BCR8FM-14LB#FG0
RJK5034DPP-E0#T2	RJK5034DPP-A0#T2
RJK5035DPP-E0#T2	RJK5035DPP-A0#T2
RJK6006DPP-E0#T2	RJK6006DPP-A0#T2
RJK6012DPP-E0#T2	RJK6012DPP-A0#T2
RJK6035DPP-E0#T2	RJK6035DPP-A0#T2
RJU6052TDPP-EJ#T2	RJU6052TDPP-AJ#T2
RJU6053TDPP-EJ#T2	RJU6053TDPP-AJ#T2
RJU6054TDPP-EJ#T2	RJU6054TDPP-AJ#T2
RJU60C3TDPP-EJ#T2	RJU60C3TDPP-AJ#T2

Part numbers given in this list are for active part numbers in REA database at the time of this notification.

**Key Dates:**

Availability of samples of replacement devices	<b>Jun. 15<sup>th</sup>, 2017</b>
Final last time buy (LTB) orders of original part number placed to REA or to a franchised REA distributor.	<b>Jun. 15<sup>th</sup>, 2018</b>
Planned date for last time shipment (LTS) of original part number from REA.	<b>Dec. 15<sup>th</sup>, 2018</b>

**Response:** Please switch to replacement device as soon as possible to avoid disruption of supply. Place last time buy (LTB) orders in a timely manner prior to the key dates listed to avoid product availability issues. If you anticipate volumes beyond your regular rate, please contact your REA sales representative with a forecast of your requirements. Shipments between the LTB and LTS dates are Non-Cancelable and Non-Returnable (NCNR).

Please contact your REA sales representative for any questions or comments.

Thank you for your attention.

Sincerely,

Renesas Electronics America, Inc.

### Appendix A: Change Details

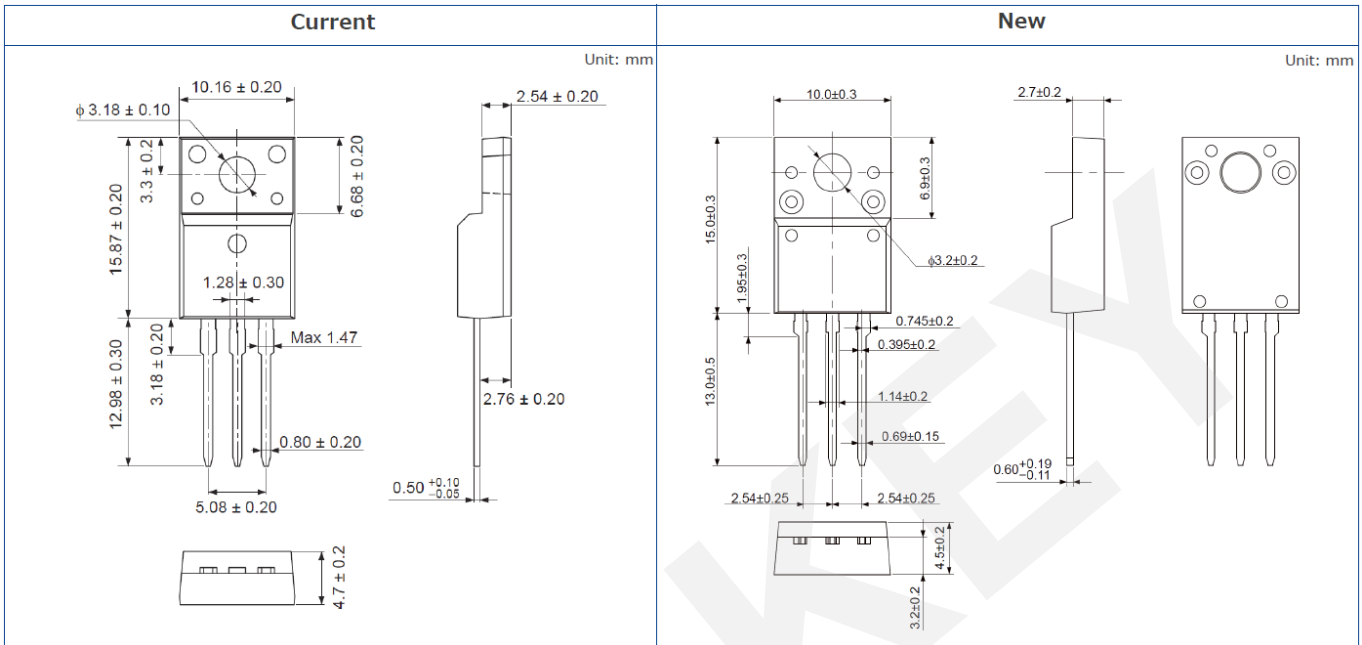
Item	Current	New	Other
Facility	SP	ASE	
Material - Die attach - Frame - Mold resin	Solder Cu Epoxy resin	Solder Cu Epoxy resin	Same type of material
Operator	Employee of SP	Employee of ASE	
Machine - Dicing - Die bonding - Wire bonding - Molding - Plating - Test	Cutting Soldering die bonder Ultra sonic bonding Transfer molding Sn plating TRS tester	Cutting Soldering die bonder Ultra sonic bonding Transfer molding Sn plating TRS tester	• Same process and similar machine are used.

### Appendix B: Process Flow

Current		New	
Process flow	QC item	Process flow	QC item
Dicing		Dicing	
Die bonding	Visual, Force	Die bonding	Visual, Force
Wire bonding	Visual, Force	Wire bonding	Visual, Force
Molding	Visual	Molding	Visual
Cut and form Mark Electrical test	Visual Electrical Lead forming*	Cut and form Mark Electrical test	Visual Electrical Lead forming*
Packing		Packing	
Shipping		Shipping	

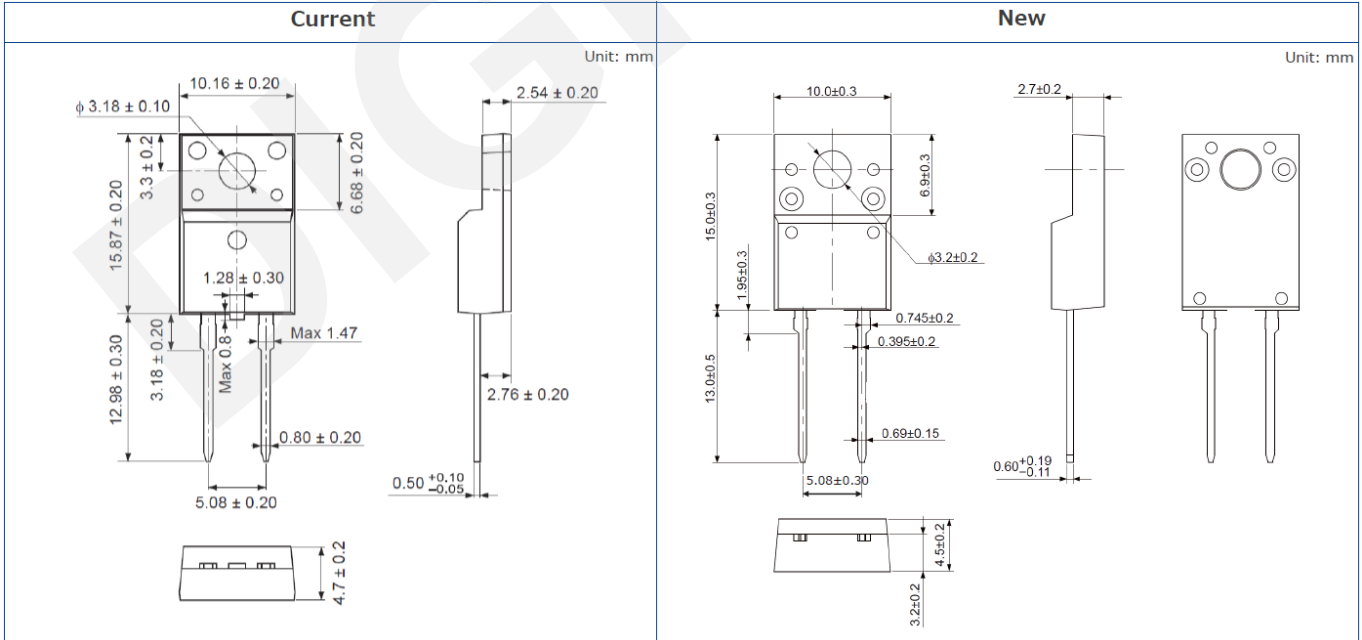
\* Lead forming type product will be the same as the current product.

### Appendix C: Outline Dimension (3pin)



\* This outline dimension is for the straight lead type. For the lead forming type, please contact us.

### Appendix D: Outline Dimension (2pin)



## Appendix E: Packing Dimension (3pin & 2pin)

	Current	New
Tube	<p>Products should be packed in a tube (Holding 50 pcs. Max.), and fixed both ends of tube with stoppers.</p>	<p>Products should be packed in a tube (Holding 50 pcs. Max.), and fixed both ends of tube with stoppers.</p>
Box	<p>Put the tubes shown above into a box (see fig. (a)), put the packing into the space of a box. Maximum holding tubes are 20 pcs.</p> <p>(a) Packing case</p>	<p>Put the tubes shown above into a box (see fig. (a)), put the packing into the space of a box. Maximum holding tubes are 50 pcs.</p> <p>(a) Packing case</p>
Dimension Material of Tube	<p>Unit: mm Material: PVG(clear) ( &gt; ): Reference only</p>	<p>Unit: mm Material: PS</p>

\* This outline dimension is for the straight lead type. For the lead forming type, please contact us.

## Appendix F: Marking (MOSFET, IGBT & FRD) (3pin & 2pin)

Current	New																																																				
<p>1. Type No. Indication Marking code is shown "General descriptions".</p> <p>2. Lot No. indication Lot No. is indicated by three letters.</p> <p>Week code is indicated by 1 to 5 from first week to fifth week.</p> <p>Month code is indicated by one character of number or one character of alphabet as shown in below.</p> <table border="1"> <tr> <td>月號 Month</td> <td>1</td><td>2</td><td>3</td><td>4</td><td>5</td><td>6</td><td>7</td><td>8</td><td>9</td><td>10</td><td>11</td><td>12</td> </tr> <tr> <td>記号 Symbol</td> <td>1</td><td>2</td><td>3</td><td>4</td><td>5</td><td>6</td><td>7</td><td>8</td><td>9</td><td>O</td><td>N</td><td>D</td> </tr> </table> <p>Year code: Indicate the fourth digit of the Christian era.</p>	月號 Month	1	2	3	4	5	6	7	8	9	10	11	12	記号 Symbol	1	2	3	4	5	6	7	8	9	O	N	D	<p>1. Type No. Indication Marking code is shown "General descriptions".</p> <p>2. Lot No. indication Lot No. is indicated by three letters.</p> <p>Week code is indicated by 1 to 5 from first week to fifth week.</p> <p>Month code is indicated by one character of number or one character of alphabet as shown in below.</p> <table border="1"> <tr> <td>月號 Month</td> <td>1</td><td>2</td><td>3</td><td>4</td><td>5</td><td>6</td><td>7</td><td>8</td><td>9</td><td>10</td><td>11</td><td>12</td> </tr> <tr> <td>記号 Symbol</td> <td>1</td><td>2</td><td>3</td><td>4</td><td>5</td><td>6</td><td>7</td><td>8</td><td>9</td><td>O</td><td>N</td><td>D</td> </tr> </table> <p>Year code: Indicate the fourth digit of the Christian era.</p>	月號 Month	1	2	3	4	5	6	7	8	9	10	11	12	記号 Symbol	1	2	3	4	5	6	7	8	9	O	N	D
月號 Month	1	2	3	4	5	6	7	8	9	10	11	12																																									
記号 Symbol	1	2	3	4	5	6	7	8	9	O	N	D																																									
月號 Month	1	2	3	4	5	6	7	8	9	10	11	12																																									
記号 Symbol	1	2	3	4	5	6	7	8	9	O	N	D																																									

\* The marking does not change for MOSFET, IGBT and FRD.

### Appendix G: Marking (Triac)

