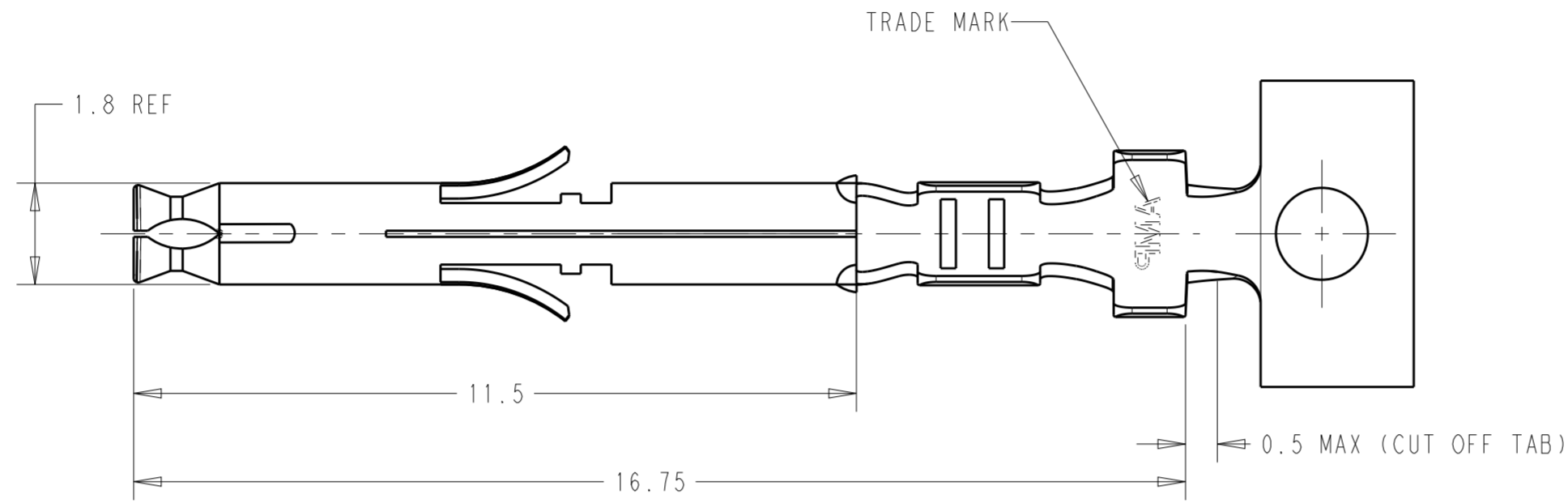
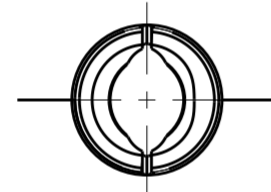


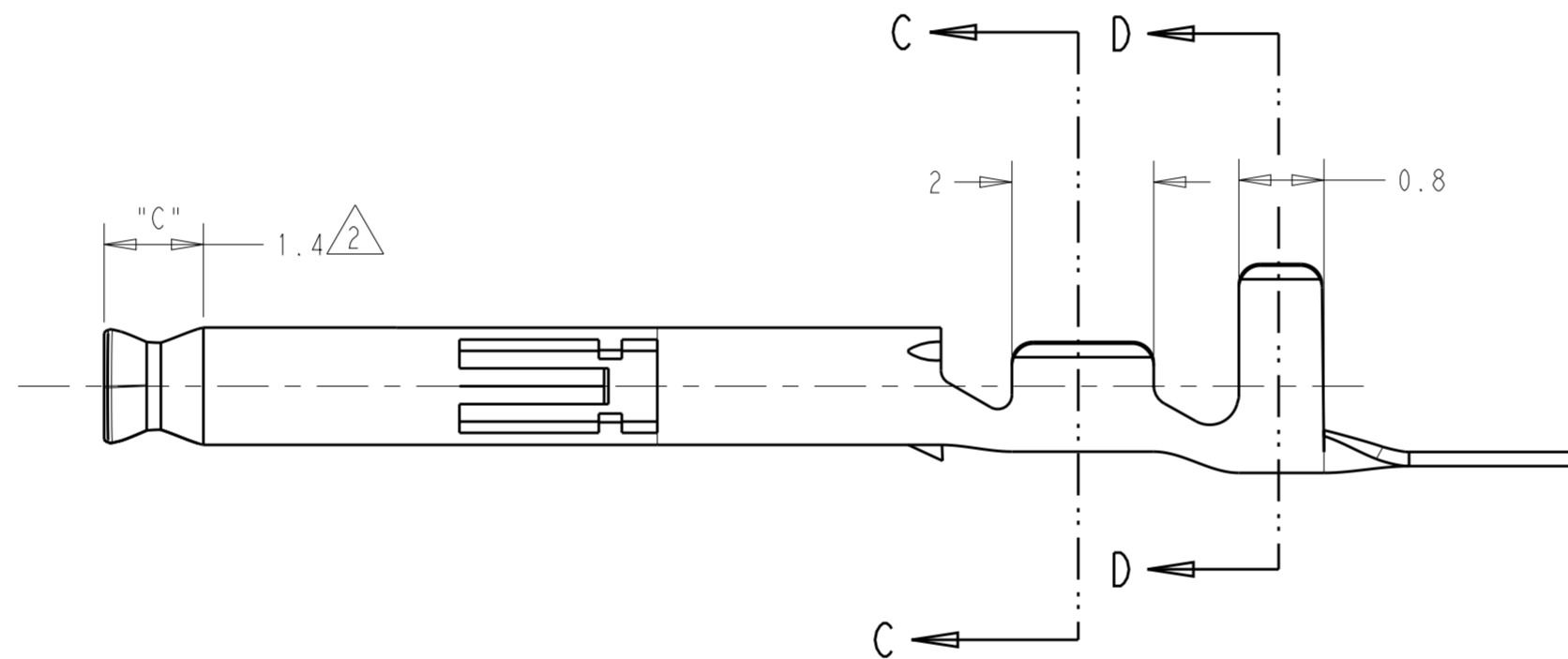
P	LTR	DESCRIPTION	DATE	DWN	APVD
F2		REVISED PER ECR-20-005023	24APR2020	BDA	SW
G		REVISED FOR ECR-20-100490	29SEP2020	PC	SW



- 1 APPLICABLE HOUSING: CAP AND PLUG.
- 2 SELECTIVE GOLD PLATED AREA "C" 0.0004mm MIN THICK OVER Ni PLATE ON INSIDE SURFACE.



SCALE 12:1



SECTION C-C
SCALE 15:1

SECTION D-D
SCALE 15:1

170359, 170360 170363, 170364	(PRE-TIN PHOZ BRO)	170365-4	170361-4
170359, 170360 170363, 170364	(GOLD PLATE) 2	170365-3	170361-3
170359, 170360 170363, 170364	(PRE-TIN BRASS)	170365-1	170361-1
MATING PART NUMBER	FINISH	LOOSE PIECE PART NUMBER	PART NUMBER

THIS DRAWING IS A CONTROLLED DOCUMENT.		DWN	-	TE Connectivity	
		CHK	-		
		APVD	-		
DIMENSIONS:		TOLERANCES UNLESS OTHERWISE SPECIFIED:		NAME	
mm		0 PLC ±0.3 1 PLC ±0.3 2 PLC ± 3 PLC ± 4 PLC ±		MINI UNIVERSAL MATE-N-LOK SOCKET CONTACT	
MATERIAL		FINISH		PRODUCT SPEC	
SEE TABLE		SEE TABLE		108-5138	
				APPLICATION SPEC	
				114-5050	
				WEIGHT	
				-	
				CUSTOMER DRAWING	
				SCALE 5:1 SHEET 1 OF 1 REV G	