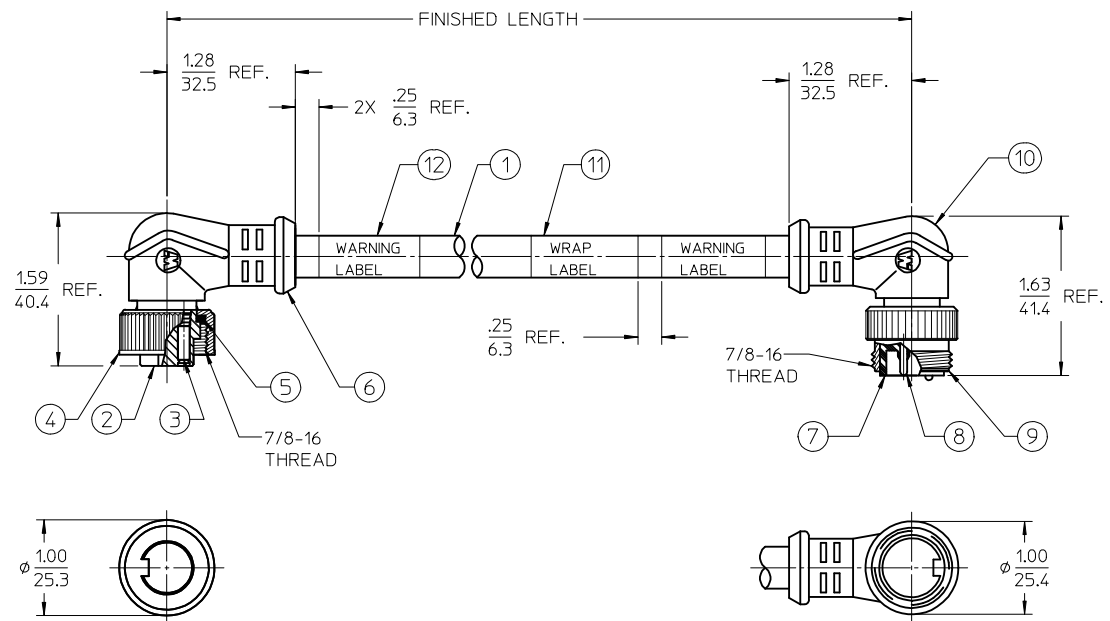
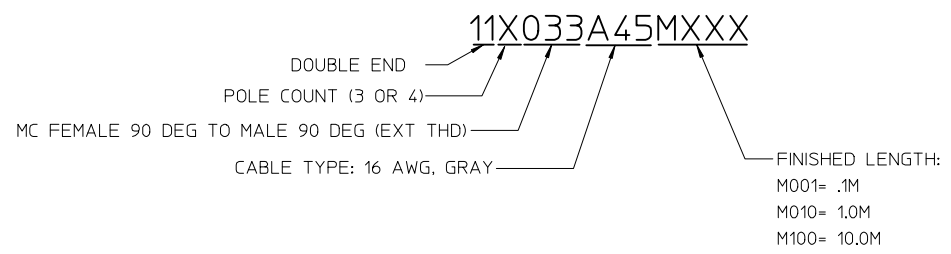


FACE VIEW-FEMALE INSERT		FACE VIEW-MALE INSERT	
1 GREEN/YELL 2 BLACK 3 WHITE	1 BLACK 2 WHITE 3 RED 4 GREEN/YELL	1 GREEN/YELL 2 BLACK 3 WHITE	1 BLACK 2 WHITE 3 RED 4 GREEN/YELL



- NOTES:
- 1) MATERIAL: SEE TABLE
 - 2) FINISHES: SEE TABLE
 - 3) WRAP LABEL IS MARKED WITH P/N, DATE CODE VOLTAGE & AMPERAGE
 - 4) MATES WITH: MINI CHANGE POLE RECEPTACLE
 - 5) ELECTRICAL DATA:
16AWG UL TYPE: TC-ER ST00W STRANDED CABLE
MAX VOLTAGE: 600V
MAX CURRENT: 3P 13A, 4P 10A
PROTECTION IP67 (WHEN MATED)
TEMPERATURE RANGE: -20°C TO 90°C
 - 6) PACKAGING:
CABLE ASSEMBLIES ARE BAGGED SEPERATLY IN POLY BAGS WITH BAR CODE LABEL ATTACHED TO OUTSIDE OF BAG
 - 7) XX REFERES TO NUMBER OF CIRCUITS

PART NUMBER LEGEND



12	2	WARNING LABEL	VINYL	ORANGE/BLACK
11	1	WRAP LABEL	VINYL	BLACK/YELLOW
10	1	90 DEG OVERMOLD	PVC	GRAY
9	1	MALE COUPLING NUT	ZINC ALLOY	BLACK
8	XX	CONTACT PIN	Cu ALLOY	GOLD PLATE
7	1	MALE INSERT	PVC	BLACK
6	1	90 DEG OVERMOLD	PVC	GRAY
5	1	FRICITION RING	NYLON	WHITE
4	1	FEMALE COUPLING NUT	ZINC ALLOY	BLACK
3	XX	CONTACT SOCKET	Cu ALLOY	GOLD PLATE
2	1	FEMALE INSERT	PVC	BLACK
1	SEE NOTE 5	CABLE	PVC	GRAY
ITEM	QTY	DESCRIPTION	MATERIAL	FINISH

RELEASED EC NO: IPG2016-0750 DRWRNSTONE 2015/11/23 CHKD:BARDEN 2015/12/08 APPR:BWODMAN 2016/02/29	QUALITY SYMBOLS ▽=0 ▽=0	GENERAL TOLERANCES (UNLESS SPECIFIED)		DIMENSION STYLE IN/MM	SCALE 1:1	DESIGN UNITS INCH	THIRD ANGLE PROJECTION
		4 PLACES ± --- ± --- 3 PLACES ± --- ± --- 2 PLACES ± --- ± .01 1 PLACE ± 0.3 ± --- 0 PLACE ± --- ± ---	mm INCH DRAWN BY DATE RSTONE 2015/11/23 CHECKED BY DATE BARDEN 2015/12/08 APPROVED BY DATE BWODMAN 2016/02/29	TITLE MINI-CHANGE 16 AWG MALE /FEMALE 90/90 GRAY PVC O-MOLD		MATERIAL NO. -	DOCUMENT NO. SD-130062-031
DRAFT WHERE APPLICABLE MUST REMAIN WITHIN DIMENSIONS		THIS DRAWING CONTAINS INFORMATION THAT IS PROPRIETARY TO MOLEX INCORPORATED AND SHOULD NOT BE USED WITHOUT WRITTEN PERMISSION					