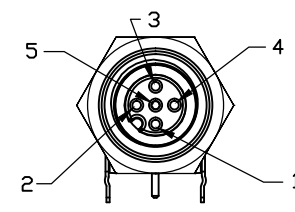
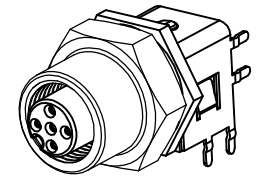
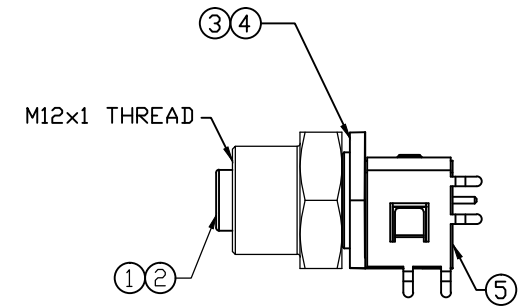


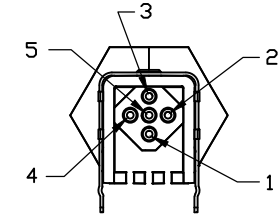
MATERIAL NUMBER	OLD PART NUMBER	POLE	PIN CONFIGURATION
1200700516	8R3L500005	3	STRAIGHT
1200700082	8R3L510005	3	90 DEGREE
1200700158	8R4L500005	4	STRAIGHT
1200700160	8R4L510005	4	90 DEGREE
1200700238	8R5L500005	5	STRAIGHT
1200700240	8R5L510005	5	90 DEGREE



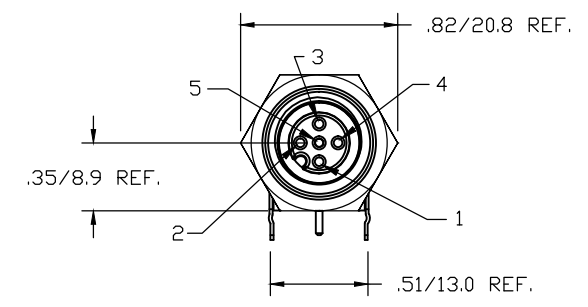
FACE VIEW
(STRAIGHT)



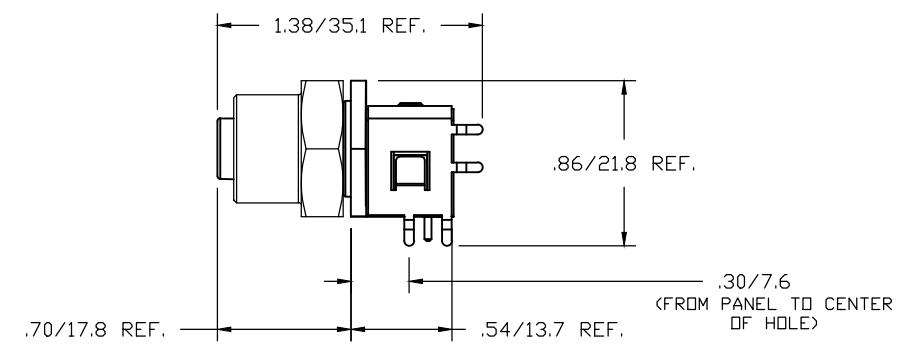
STRAIGHT PIN CONFIGURATION



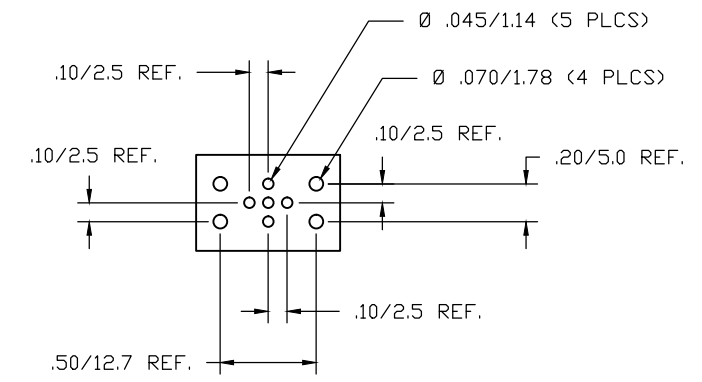
BACK VIEW
(STRAIGHT)



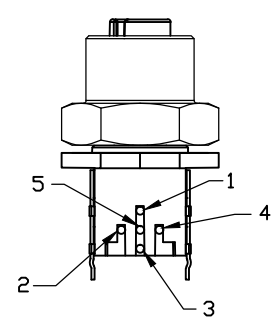
FACE VIEW
(90° CONFIG.)



90° PIN CONFIGURATION



RECOMMENDED PCB LAYOUT
(BOTH STRAIGHT & 90°)



BOTTOM VIEW
(90° CONFIG.)

5 POLE SHOWN

NOTE:
PANEL THICKNESS - .14 MAX

VOLTAGE RATING	250 VAC/VDC
AMPERAGE RATING	4 AMPS
PROTECTION	IP67
OPERATING TEMPERATURE	-20°C TO 80°C
PANEL HOLE CUT SIZE	Ø .51/12.9

ITEM	COMPONENT	MATERIAL	FINISH
1	INSERT	NYLON	BLACK
2	CONTACT PIN	COPPER ALLOY	GOLD OVER NICKEL
3	O-RING	VITON	
4	RECEPTACLE SHELL	DELTRIN	BLACK
5	BRACKET	STEEL	TIN PLATED

ADDED PART NUMBERS EC NO: IPG2015-1776 DRWN: GGUSTAFS 2015/04/10 CHKD: BARDEN 2015/05/29 APPR: BWOODMAN 2009/08/28	DESCRIPTION REV	QUALITY SYMBOLS	GENERAL TOLERANCES (UNLESS SPECIFIED) 4 PLACES ±-- ±-- 3 PLACES ±-- ±.005 2 PLACES ±-- ±.01 1 PLACE ±0.3 ±.02 ANGULAR ±1/2° DRAFT WHERE APPLICABLE MUST REMAIN WITHIN DIMENSIONS	DIMENSION STYLE IN/MM		SCALE 1:1	DESIGN UNITS INCH	THIRD ANGLE PROJECTION TITLE M12 PCB MOUNT FEMALE 3/4/5 POLE RECEPTACLE STR/90D MOLEX INCORPORATED DOCUMENT NO. SD-120070-008 SHEET NO. 1 OF 1
		▽=0		DRAWN BY BW	DATE 2009/08/26	MATERIAL NO.		
		∇=0		CHECKED BY LH	DATE 2009/08/26	SEE CHART		
				APPROVED BY JFMURPHY	DATE 2009/08/28	THIS DRAWING CONTAINS INFORMATION THAT IS PROPRIETARY TO MOLEX INCORPORATED AND SHOULD NOT BE USED WITHOUT WRITTEN PERMISSION		