

10 9 8 7 6 5 4 3 2 1

F

E

D

C

B

A

F

E

D

C

B

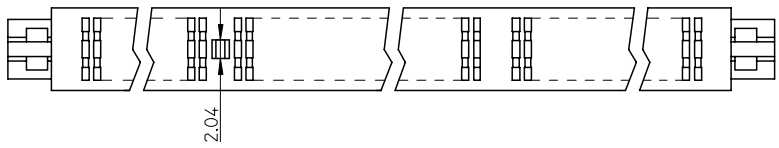
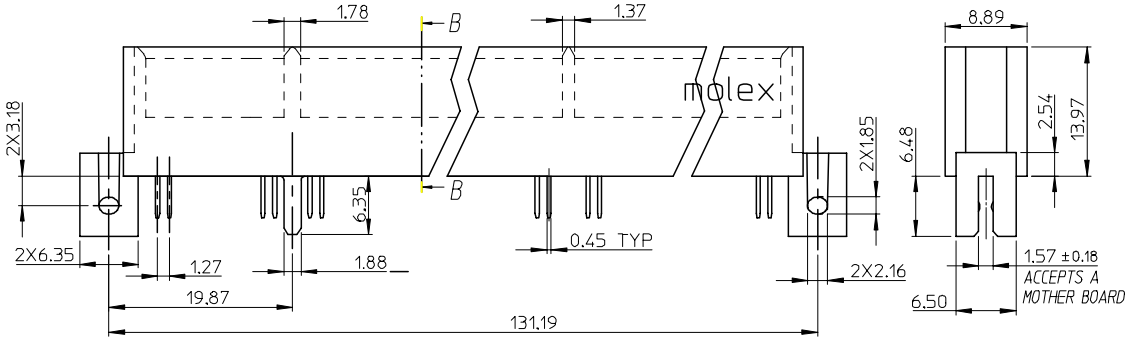
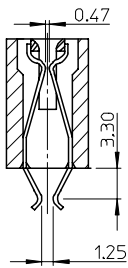
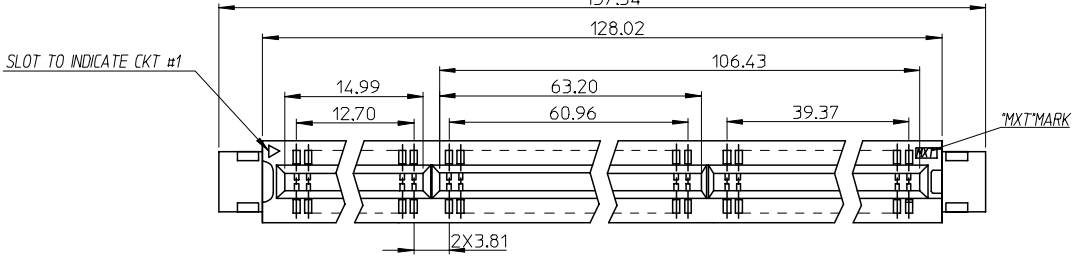
A

NOTES :

1. MATERIAL:
HOUSING: POLYPHENYLENE SULFIDE, UL-94V0, COLOR:WHITE
TERMINAL: PHOSPHOR BRONZE,
2. FINISH:
0 - GOLD FLASH IN CONTACT AREA.
1.52 MICROMETER/60 MICROINCH MIN. TIN IN SOLDER TAIL,
NICKEL UNDER PLATED OVERALL.
1 - 0.25 MICROMETER/10 MICROINCH MIN. GOLD IN CONTACT AREA,
1.52 MICROMETER/60 MICROINCH MIN. TIN IN SOLDER TAIL,
NICKEL UNDER PLATED OVERALL.
2 - 0.38 MICROMETER/15 MICROINCH MIN. GOLD IN CONTACT AREA,
1.52 MICROMETER/60 MICROINCH MIN. TIN IN SOLDER TAIL,
NICKEL UNDER PLATED OVERALL.
3 - 0.76 MICROMETER/30 MICROINCH MIN. GOLD IN CONTACT AREA,
1.52 MICROMETER/30 MICROINCH MIN. TIN IN SOLDER TAIL,
NICKEL UNDER PLATED OVERALL.
4 - 0.50 MICROMETER/20 MICROINCH MIN. GOLD IN CONTACT AREA,
1.52 MICROMETER/60 MICROINCH MIN. TIN IN SOLDER TAIL,
NICKEL UNDER PLATED OVERALL.
4. PRODUCT SPECIFICATION REFER TO PS-89402-001
5. PACKAGING SPECIFICATION REFER TO PK-89402-001
6. TEST SUMMARY REFER TO TS-89402-002
7. LEAD FREE AND ROHS COMPLIANCE PRODUCT

P/N LEGEND: 89402-922*

PLATING VERSION
SEE NOTES



LEAD FREE 89402-920*	2006/03/07
EC NO: SH2006-0413	2006/03/08
DRWN: ALLIN	2006/03/08
CHKD:	
APPR: WMSCHANG	2006/03/09

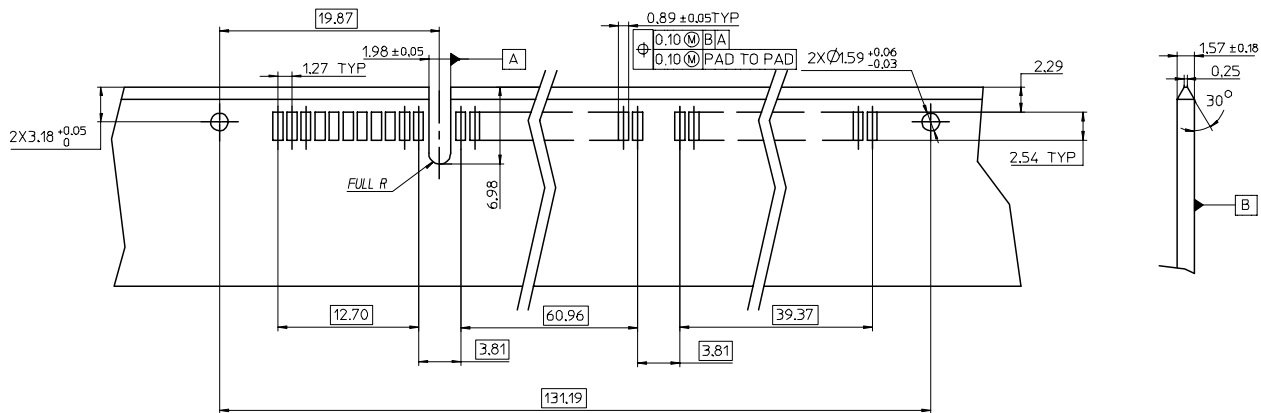
REV	DESCRIPTION
0	
1	

QUALITY SYMBOLS	GENERAL TOLERANCES (UNLESS SPECIFIED)
▽=0	
∇=0	
	DRAFT WHERE APPLICABLE MUST REMAIN WITHIN DIMENSIONS

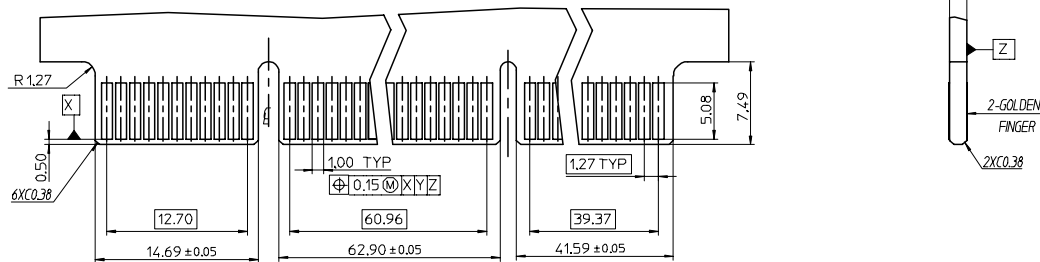
DIMENSION STYLE	SCALE	DESIGN UNITS	THIRD ANGLE PROJECTION
MM ONLY		METRIC	
DRAWN BY	DATE	TITLE	
KEN LEE	2006/02/10	1.27MM EDGE CARD 184 CKT 3.3V STRADDLE MOUNT SKT (LEAD FREE VERSION)	
CHECKED BY	DATE		
ALLEN LIN	2006/02/10		
APPROVED BY	DATE		
WILSON CHANG	2006/02/10		
MATERIAL NO.	DOCUMENT NO.	SHEET NO.	
SEE LEGEND	SD-89402-002	1 OF 2	

SIZE	THIS DRAWING CONTAINS INFORMATION THAT IS PROPRIETARY TO MOLEX INCORPORATED AND SHOULD NOT BE USED WITHOUT WRITTEN PERMISSION	
A3		

9 8 7 6 5 4 3 2 1



MOTHER BOARD SOLDER PAD LAYOUT



RECOMMENDED MATING P.CBOARD LAYOUT

SEE SHEET 1 EC NO: SH2006-0413 DRWN: ALLEN CHKD: APPR: WMSCHANG	2006/03/07 2006/03/08 2006/03/09	QUALITY SYMBOLS ▽=0 ▽=0	GENERAL TOLERANCES (UNLESS SPECIFIED)		DIMENSION STYLE MM ONLY		SCALE 1:1	DESIGN UNITS METRIC	THIRD ANGLE PROJECTION			
			4 PLACES ± --- ± --- 3 PLACES ± --- ± --- 2 PLACES ± 0.25 ± --- 1 PLACE ± 0.25 ± ---	mm INCH	DRAWN BY KEN LEE	DATE 2006/02/10	TITLE 1.27MM EDGE CARD 184 CKT 3.3V STRADDLE MOUNT SKT (LEAD FREE VERSION)					
			ANGULAR ± 3 °			CHECKED BY ALLEN LIN	DATE 2006/02/10	MOLEX INCORPORATED				
			DRAFT WHERE APPLICABLE MUST REMAIN WITHIN DIMENSIONS			APPROVED BY WILSON CHANG	DATE 2006/02/10	MATERIAL NO. SEE LEGEND	DOCUMENT NO. SD-89402-002	SHEET NO. 2 OF 2		