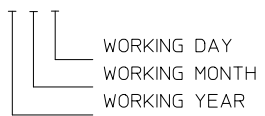


LEVER POSITION: OPEN  
PUSH LEVER OUT  
TO UNLOCK

NOTES:

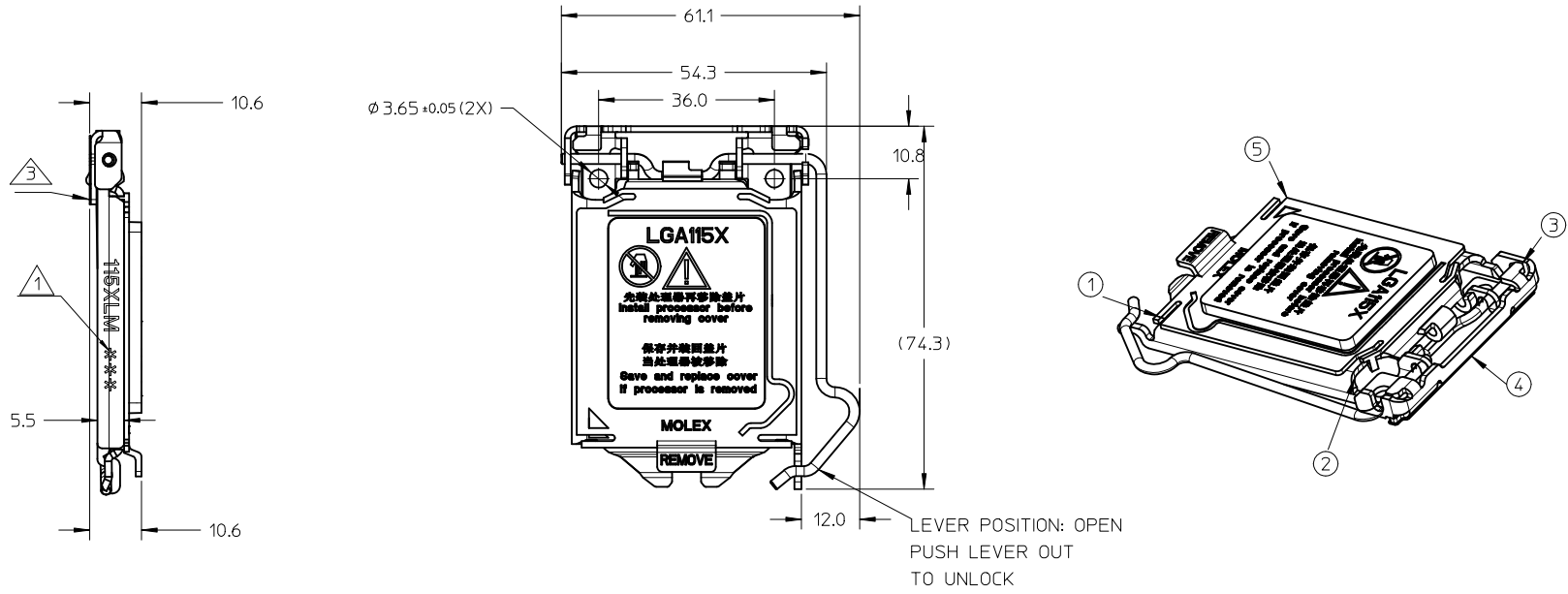
- 1. INK PRINTED DATE CODE: \* \* \*
- 2. AREA FILLED WITH BLACK INK.
- 3. INSULATOR OVERHANG ILM FRAME.
- 4. PARTS ARE COMPLIANT TO RoHS DIRECTIVE 2002/95/EC AND ELV 2000/53/EC.
- 5. PARTS ARE HALOGEN FREE.



BILL OF MATERIAL(47596-8811)			
ITEM NO	Q'TY	DESCRIPTION	MATERIAL
	1	ILM TOP ASSY WITHOUT SCREW	
①	1	ILM LEVER	STAINLESS STEEL
②	1	ILM LOAD PLATE	STAINLESS STEEL
③	1	ILM FRAME	STEEL WITH NICKEL PLATING
④	1	ILM FRAME INSULATOR	POLYCARBONATE FILM

ENTER DESCRIPTION EC NO: SH2012-0210 DRWN: JZHANG11 2012/01/05 CHKD: APPR: AYIN 2012/02/02	QUALITY SYMBOLS	GENERAL TOLERANCES (UNLESS SPECIFIED)	DIMENSION STYLE	SCALE	DESIGN UNITS	THIRD ANGLE PROJECTION
	$F_A=0$ $F_C=0$ $F_P=0$	mm INCH 4 PLACES ± --- ± --- 3 PLACES ± --- ± --- 2 PLACES ± 0.10 ± --- 1 PLACE ± 0.25 ± --- ANGULAR ± ---°	MM ONLY	1:1	METRIC	
	DRAWN BY: JGU007 CHECKED BY: JKACHLIC APPROVED BY: AYIN	DATE: 2008/01/10 DATE: 2008/01/10 DATE: 2010/12/10	TITLE	115X ILM TOP ASSY		
	DRAFT WHERE APPLICABLE MUST REMAIN WITHIN DIMENSIONS		MATERIAL NO. SEE TABLE	MOLEX INCORPORATED DOCUMENT NO. SD-47596-002	SHEET NO. 1 OF 2	

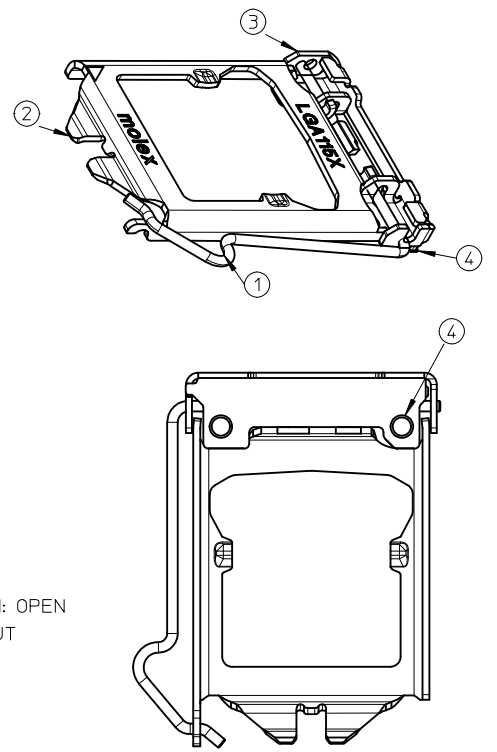
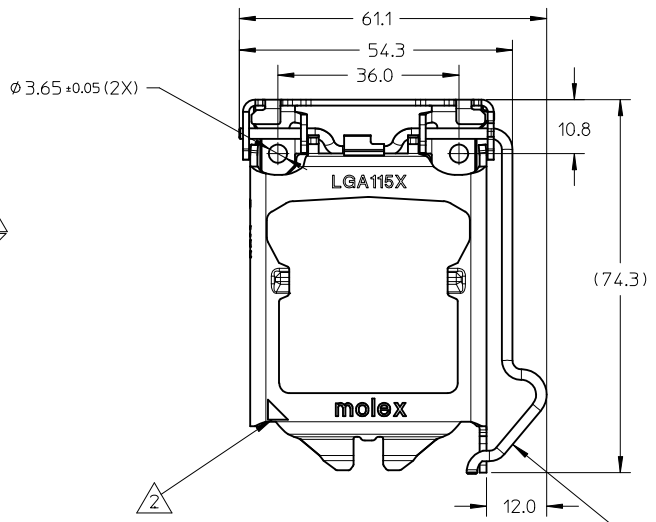
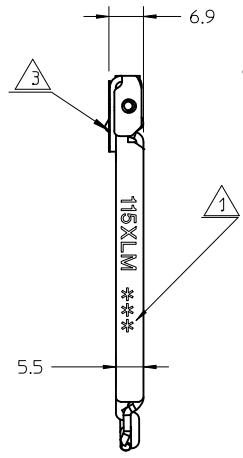
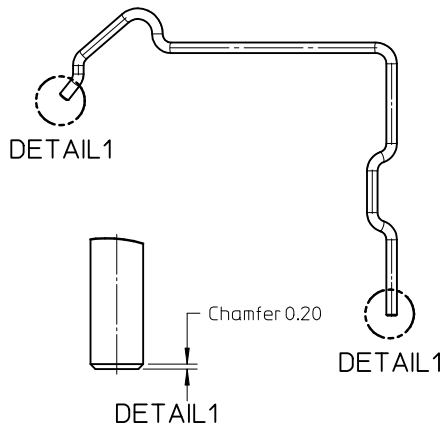
47596-8811	WITHOUT ILM PNP COVER*
PART NO.	DESCRIPTION



BILL OF MATERIAL (47596-8711)			
ITEM NO	Q'TY	DESCRIPTION	MATERIAL
	1	ILM TOP ASSY WITHOUT SCREW	
①	1	ILM LEVER	STAINLESS STEEL
②	1	ILM LOAD PLATE	STAINLESS STEEL
③	1	ILM FRAME	STEEL WITH NICKEL PLATING
④	1	ILM FRAME INSULATOR	POLYCARBONATE FILM
⑤	1	ILM PNP COVER	PC/ABS

47596-8711	WITH ILM PNP COVER
PART NO.	DESCRIPTION

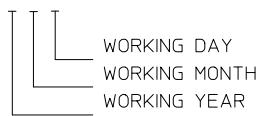
<b>ENTER DESCRIPTION</b> EC NO: SHZ012-0210 DRWN: ZHANG11 2012/01/05 CHKD: APPR: AYIN 2012/02/02	QUALITY SYMBOLS $F_A=0$ $F_C=0$ $F_P=0$	GENERAL TOLERANCES (UNLESS SPECIFIED)		DIMENSION STYLE <b>MM ONLY</b>		SCALE <b>1:1</b>	DESIGN UNITS <b>METRIC</b>	THIRD ANGLE PROJECTION	
				DRAWN BY JGU007	DATE 2008/01/10	TITLE <b>115X ILM TOP ASSY</b>			
				CHECKED BY JKACHLIC	DATE 2008/01/10	APPROVED BY AYIN			
				DATE 2010/12/10	MATERIAL NO. <b>SEE TABLE</b>				
DRAFT WHERE APPLICABLE MUST REMAIN WITHIN DIMENSIONS		ANGULAR $\pm$ ---°		MATERIAL NO. <b>SEE TABLE</b>		DOCUMENT NO. <b>SD-47596-002</b>		SHEET NO. <b>2 OF 2</b>	
THIS DRAWING CONTAINS INFORMATION THAT IS PROPRIETARY TO MOLEX INCORPORATED AND SHOULD NOT BE USED WITHOUT WRITTEN PERMISSION									



LEVER POSITION: OPEN  
PUSH LEVER OUT  
TO UNLOCK

NOTES:

- 1. INK PRINTED DATE CODE: \* \* \*
- 2. AREA FILLED WITH BLACK INK.
- 3. INSULATOR OVERHANG ILM FRAME.
- 4. PARTS ARE COMPLIANT TO RoHS DIRECTIVE 2002/95/EC AND ELV 2000/53/EC.
- 5. PARTS ARE HALOGEN FREE.



BILL OF MATERIAL (47596-8811)			
ITEM NO	Q'TY	DESCRIPTION	MATERIAL
	1	ILM TOP ASSY WITHOUT SCREW	
①	1	ILM LEVER	STAINLESS STEEL
②	1	ILM LOAD PLATE	STAINLESS STEEL
③	1	ILM FRAME	STEEL WITH NICKEL PLATING
④	1	ILM FRAME INSULATOR	POLYCARBONATE FILM

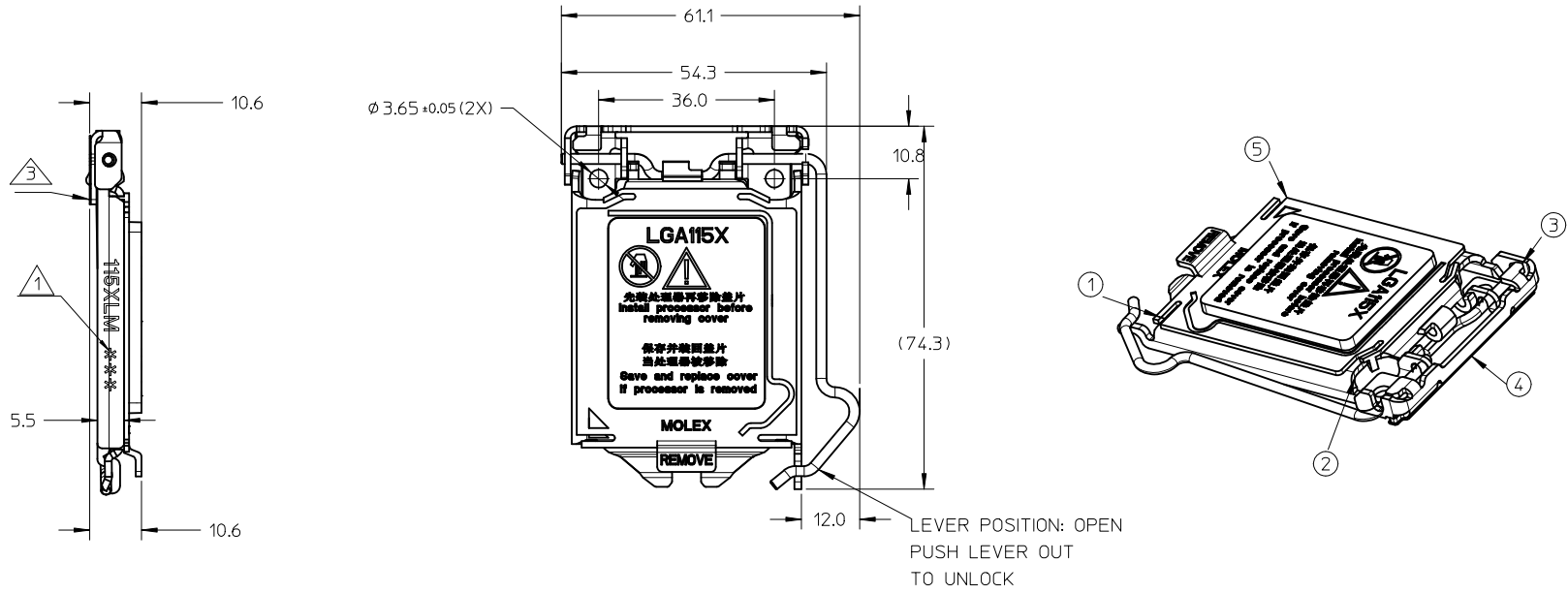
47596-8811	WITHOUT ILM PNP COVER*
PART NO.	DESCRIPTION

ENTER DESCRIPTION	DESCRIPTION
EC NO: SH2012-0210	
DRWN: JZHANG11	2012/01/05
CHKD:	
APPR: AYIN	2012/02/02
REV	

QUALITY SYMBOLS	GENERAL TOLERANCES (UNLESS SPECIFIED)	
	mm	INCH
$F_A=0$	4 PLACES $\pm$ ---	$\pm$ ---
$F_C=0$	3 PLACES $\pm$ ---	$\pm$ ---
$F_B=0$	2 PLACES $\pm 0.10$	$\pm$ ---
	1 PLACE $\pm 0.25$	$\pm$ ---
	ANGULAR $\pm$ ---°	
	DRAFT WHERE APPLICABLE MUST REMAIN WITHIN DIMENSIONS	

DIMENSION STYLE	
MM ONLY	
DRAWN BY	DATE
JGU007	2008/01/10
CHECKED BY	DATE
JKACHLIC	2008/01/10
APPROVED BY	DATE
AYIN	2010/12/10
MATERIAL NO.	
SEE TABLE	

SCALE	DESIGN UNITS	THIRD ANGLE PROJECTION
1:1	METRIC	
TITLE		
115X ILM TOP ASSY		
MOLEX INCORPORATED		SHEET NO.
DOCUMENT NO.		1 OF 2
THIS DRAWING CONTAINS INFORMATION THAT IS PROPRIETARY TO MOLEX INCORPORATED AND SHOULD NOT BE USED WITHOUT WRITTEN PERMISSION		



BILL OF MATERIAL (47596-8711)			
ITEM NO	Q'TY	DESCRIPTION	MATERIAL
	1	ILM TOP ASSY WITHOUT SCREW	
①	1	ILM LEVER	STAINLESS STEEL
②	1	ILM LOAD PLATE	STAINLESS STEEL
③	1	ILM FRAME	STEEL WITH NICKEL PLATING
④	1	ILM FRAME INSULATOR	POLYCARBONATE FILM
⑤	1	ILM PNP COVER	PC/ABS

47596-8711	WITH ILM PNP COVER
PART NO.	DESCRIPTION

ENTER DESCRIPTION EC NO: SHZ012-0210 DRWN: ZHANG11 CHKD: APPR: AYIN 2012/01/05 2012/02/02	QUALITY SYMBOLS $F_A=0$ $F_C=0$ $F_P=0$	GENERAL TOLERANCES (UNLESS SPECIFIED)		DIMENSION STYLE MM ONLY		SCALE 1:1	DESIGN UNITS METRIC	THIRD ANGLE PROJECTION		
		4 PLACES	$\pm \text{---}$	$\pm \text{---}$	DRAWN BY	DATE	TITLE			
		3 PLACES	$\pm \text{---}$	$\pm \text{---}$	JGU007	2008/01/10	115X ILM TOP ASSY			
2 PLACES	$\pm 0.10$	$\pm \text{---}$	CHECKED BY	DATE						
1 PLACE	$\pm 0.25$	$\pm \text{---}$	JKACHLIC	2008/01/10						
ANGULAR $\pm \text{---}^\circ$			APPROVED BY	DATE						
			AYIN	2010/12/10	MOLEX INCORPORATED					
DRAFT WHERE APPLICABLE MUST REMAIN WITHIN DIMENSIONS			MATERIAL NO.	DOCUMENT NO.	SHEET NO.					
			SEE TABLE	SD-47596-002	2 OF 2					
			SIZE A3	THIS DRAWING CONTAINS INFORMATION THAT IS PROPRIETARY TO MOLEX INCORPORATED AND SHOULD NOT BE USED WITHOUT WRITTEN PERMISSION						