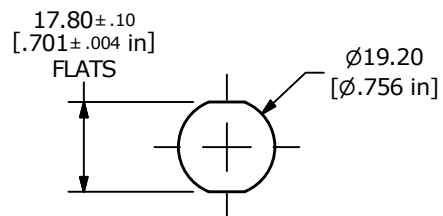
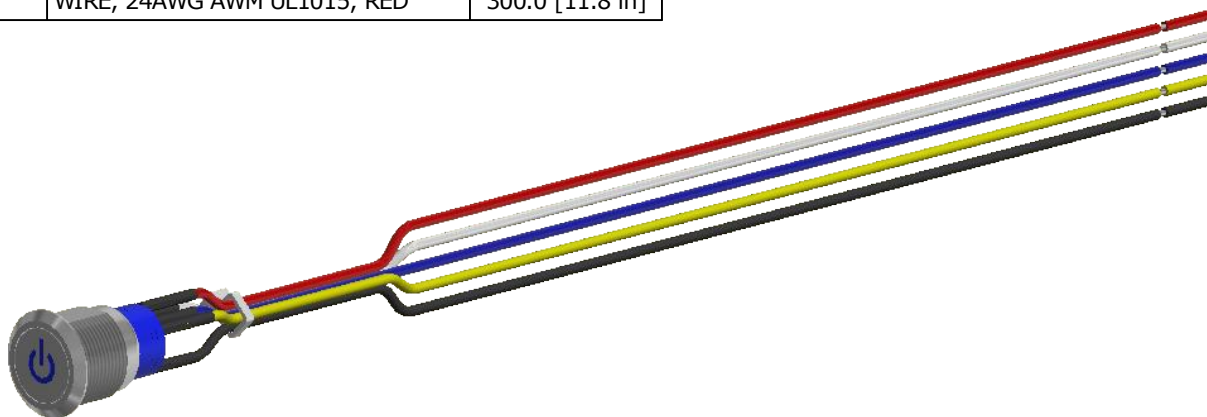


SCHEMATIC
ON - (ON) - SPDT ILLUMINATED
() DENOTES MOMENTARY FUNCTION

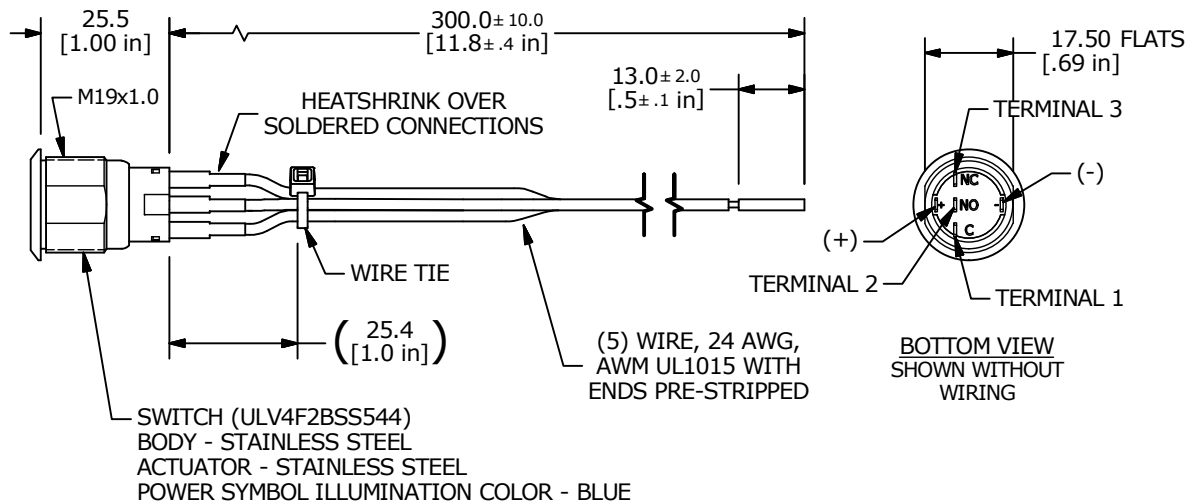


RECOMMENDED PANEL CUTOUT
MAX. PANEL THICKNESS 10mm [.39 in]

SWITCH	WIRE	LENGTH
SW1-1	WIRE, 24AWG AWM UL1015, YELLOW	300.0 [11.8 in]
SW1-2	WIRE, 24AWG AWM UL1015, BLUE	300.0 [11.8 in]
SW1-3	WIRE, 24AWG AWM UL1015, WHITE	300.0 [11.8 in]
SW1- (-)	WIRE, 24AWG AWM UL1015, BLACK	300.0 [11.8 in]
SW1- (+)	WIRE, 24AWG AWM UL1015, RED	300.0 [11.8 in]



- NOTES:
1. DIMENSIONS IN MM [INCH]
 2. ALL MATERIAL SHALL BE ROHS COMPLIANT
 3. GENERAL TOLERANCE: X.X = ±0.4
X.XX = ±0.25
 4. TERMINAL NUMBERS FOR REF ONLY
 5. CONTACT MATERIAL: SILVER
 6. RATING: 3A 250 VAC cUL
 7. OPERATING TEMP.: -20°C to 55°C
 - ▲ 8. LAMP VOLTAGE: 20mA 12V
 9. TRAVEL: 3.2mm
 10. ACTUATION FORCE: 2.5 ±1.0 N
 11. MOUNTING NUT TORQUE: 5-14 Nm
 12. INGRESS PROTECTION: IP67
 13. MECHANICAL LIFE: 1,000,000 CYCLES.
 14. ELECTRIC LIFE: 50,000 MAKE-AND-BREAK CYCLES AT FULL LOAD.
 15. INSULATION RESISTANCE: 1,000 MΩ @ 500VDC MIN.
 16. DIELECTRIC STRENGTH: 2,000 VAC MIN. FOR 1 MINUTE
 17. CONTACT RESISTANCE: 50mΩ MAX. @ 1A 12VDC
 18. ▲ DENOTES CRITICAL PARAMETER.
 - ▲ 19. SUPPLIED HARDWARE: O-RING AND HEXNUT
 - ▲ 20. USE P/N'S DESIGNATED OR ENGINEERING APPROVED EQUIVALENTS



TITLE ULV4FWBSS544				
SCALE 2:3	DATE 1/28/2019	DR MJR	DWG T940501	REV D