

Sine-wave Driving, High Voltage 3-phase Motor Drivers with Built-in Hall Amplifiers SX6812xM Series



Data Sheet

Description

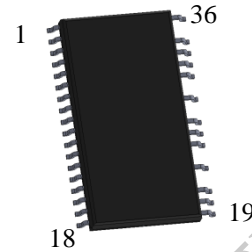
The SX6812xM series are high voltage 3-phase motor drivers driven by a sinusoidal control, which can support Hall element and Hall IC inputs, thus offering high-efficient yet low-noise motor control. Supplied in a thin SOP36 package, where a controller, a gate driver, the output transistors of three phases, and bootstrap diodes are highly integrated, the SX6812xM series requires only a few external components for building a motor driver. This also allows a motor driver to be highly reliable in performance and design-friendly with its compactness. These products can optimally control the inverter systems of low- to medium-capacity motors that require universal input standards.

Features

- Low Noise, High Efficiency (Sinusoidal Current Waveform)
- Reduced Number of Parts Achieved by Built-in Bootstrap Diodes with Current-limiting Resistors
- Pb-free (RoHS Compliant)
- Hall Element and Hall IC Inputs
- Application-specific Optimal Settings with External Signals:
 - Motor Speed
 - Phase Advance Angle
 - Motor Direction
 - User-settable Motor Lock Detection (Enabled or Disabled)
- 5 V Reference Voltage Output (Used for Driving Hall Elements etc.)
- Fault Signal Output at Protection Activation (FO Pin)
- Protections Include:
 - VREG Pin Undervoltage Lockout (UVLO_VREG)
 - Undervoltage Lockout for Power Supplies
 - VBx Pin (UVLO_VB)
 - VCC1 Pin (UVLO_VCC)
 - Overcurrent Limit (OCL)
 - Overcurrent Protection (OCP)
 - Thermal Shutdown (TSD)
 - Motor Lock Protection (MLP)
 - Reverse Rotation Detection
 - Hall Signal Abnormality Detection

Package

SOP36



Not to scale

Selection Guide

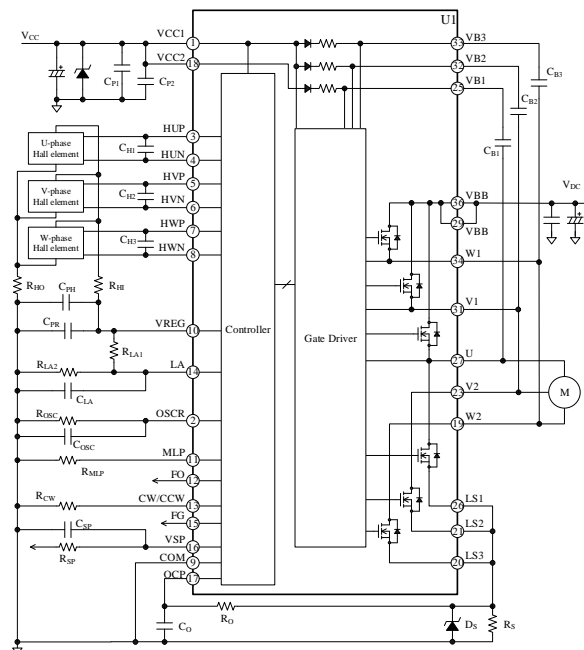
| Part Number | V _{DSS} | I _O | R _{DS(ON)} (max.) |
|-------------|------------------|----------------|-------------------------------|
| SX68126M | 600 V | 1.5 A | 4.2 Ω |
| SX68128M | 600 V | 1.5 A | 3.6 Ω |
| SX68127M | 600 V | 2.0 A | 2.5 Ω |

Applications

For motor drives such as:

- Fan Motor for Air Conditioner
- Fan Motor for Air Purifier and Electric Fan

Typical Application



Contents

| | |
|---|----|
| Description | 1 |
| Contents | 2 |
| 1. Absolute Maximum Ratings | 4 |
| 2. Recommended Operating Conditions | 5 |
| 3. Electrical Characteristics | 6 |
| 3.1 Characteristics of Control Parts | 6 |
| 3.2 Transistor Characteristics | 8 |
| 3.2.1 SX68126M | 8 |
| 3.2.2 SX68127M | 9 |
| 3.2.3 SX68128M | 9 |
| 3.3 Bootstrap Diode Characteristics | 10 |
| 3.4 Thermal Resistance Characteristics | 10 |
| 4. Mechanical Characteristics | 11 |
| 5. Block Diagram | 11 |
| 6. Pin Configuration Definitions | 12 |
| 7. Typical Applications | 13 |
| 8. Physical Dimensions | 15 |
| 9. Marking Diagram | 17 |
| 10. Functional Descriptions | 18 |
| 10.1 Pin Descriptions | 18 |
| 10.1.1 VCC1 and VCC2 | 18 |
| 10.1.2 OSC R | 18 |
| 10.1.3 HUP, HVP, and HWP; HUN, HVN, and HWN | 18 |
| 10.1.4 COM | 19 |
| 10.1.5 VREG | 19 |
| 10.1.6 MLP | 19 |
| 10.1.7 FO | 19 |
| 10.1.8 CW/CCW | 19 |
| 10.1.9 LA | 20 |
| 10.1.10 FG | 20 |
| 10.1.11 VSP | 20 |
| 10.1.12 OCP | 20 |
| 10.1.13 VBB | 20 |
| 10.1.14 VB1, VB2, and VB3 | 20 |
| 10.1.15 U, V1, V2, W1, and W2 | 21 |
| 10.1.16 LS1, LS2, and LS3 | 21 |
| 10.2 Startup Operation | 21 |
| 10.3 Charging of Bootstrap Capacitors | 22 |
| 10.4 Motor Speed Control | 22 |
| 10.5 Phase Advance Function | 23 |
| 10.6 Fault Signal Output | 28 |
| 10.7 Protection Functions | 28 |
| 10.7.1 VREG Pin Undervoltage Lockout (UVLO_VREG) | 28 |
| 10.7.2 Undervoltage Lockout for Power Supplies (UVLO) | 28 |
| 10.7.3 Overcurrent Limit (OCL) and Overcurrent Protection (OCP) | 28 |
| 10.7.4 Thermal Shutdown (TSD) | 29 |
| 10.7.5 Motor Lock Protection (MLP) | 29 |
| 10.7.6 Reverse Rotation Detection | 29 |
| 10.7.7 Hall Signal Abnormality Detection | 30 |
| 11. Design Notes | 30 |

| | |
|--|----|
| 11.1 PCB Pattern Layout | 30 |
| 11.2 Considerations in IC Characteristics Measurement | 30 |
| 12. Calculating Power Losses and Estimating Junction Temperature | 31 |
| 12.1 Power MOSFET Steady-state Loss, P_{RON} | 31 |
| 12.2 Power MOSFET Switching Loss, P_{SW} | 32 |
| 12.3 Body Diode Steady-state Loss, P_{SD} | 32 |
| 12.4 Estimating Junction Temperature of Power MOSFET | 32 |
| 13. Performance Curves | 33 |
| 13.1 Transient Thermal Resistance Curves | 33 |
| 13.2 Performance Curves of Control Parts | 34 |
| 13.3 Performance Curves of Output Parts | 39 |
| 13.3.1 Output Transistor Performance Curves | 39 |
| 13.3.2 Switching Loss Curves | 40 |
| 13.4 Allowable Effective Current Curves | 42 |
| 13.4.1 SX68126M | 42 |
| 13.4.2 SX68127M | 42 |
| 13.4.3 SX68128M | 43 |
| 14. Pattern Layout Example | 44 |
| 15. Typical Motor Driver Application | 46 |
| Important Notes | 47 |

Not Recommended for New Design

SX6812xM Series

1. Absolute Maximum Ratings

Current polarities are defined as follows: current going into the IC (sinking) is positive current (+); current coming out of the IC (sourcing) is negative current (-).

Unless specifically noted, $T_A = 25\text{ }^\circ\text{C}$.

| Parameter | Symbol | Conditions | Rating | Unit | Remarks |
|--|-----------------|---|-------------------|------------------|----------------------|
| Power MOSFET Breakdown Voltage | V_{DSS} | $I_D = 100\ \mu\text{A}$ | 600 | V | |
| Logic Supply Voltage | V_{CC} | $V_{CCx-COM}$ | 20 | V | |
| | V_{BS} | VB1-U, VB2-V1, VB3-W1 | 20 | | |
| Output Current (DC) ⁽¹⁾ | I_O | $T_C = 25\text{ }^\circ\text{C}$, $T_J < 150\text{ }^\circ\text{C}$ | 1.5 | A | SX68126M SX68128M |
| | | | 2.0 | | SX68127M |
| Output Current (Pulse) | I_{OP} | $T_C = 25\text{ }^\circ\text{C}$, pulse width $\leq 100\ \mu\text{s}$ | 2.25 | A | SX68126M SX68128M |
| | | | 3.0 | | SX68127M |
| VREG Pin Voltage | V_{REG} | | 5.5 | V | |
| VREG Pin Current | I_{REG} | | 30 | mA | |
| Input Voltage 1 (HUP, HUN, HVP, HVN, HWP, HWN) | $V_{IN(1)}$ | | -0.5 to V_{REG} | V | |
| Input Voltage 2 (OSCR, MLP, CW/CCW, LA, OCP) | $V_{IN(2)}$ | | -0.5 to V_{REG} | V | |
| Input Voltage 3 (VSP) | $V_{IN(3)}$ | | -0.5 to 10 | V | |
| Output Voltage (FG, FO) | V_O | | -0.5 to V_{REG} | V | |
| LSx Pin Voltage (DC) | $V_{LS(DC)}$ | LSx-COM | -0.7 to 7 | V | |
| LSx Pin Voltage (Surge) | $V_{LS(SURGE)}$ | LSx-COM | -4 to 7 | V | |
| Allowable Power Dissipation | P_D | $T_C = 25\text{ }^\circ\text{C}$ | 3.5 | W | |
| Operating Case Temperature ⁽²⁾ | $T_{C(OP)}$ | | -30 to 100 | $^\circ\text{C}$ | |
| Junction Temperature ⁽³⁾ | T_J | | 150 | $^\circ\text{C}$ | |
| Storage Temperature | T_{STG} | | -40 to 150 | $^\circ\text{C}$ | |

⁽¹⁾ Should be derated depending on an actual case temperature. See Section 13.4.

⁽²⁾ Refers to a case temperature measured during IC operation.

⁽³⁾ Refers to the junction temperature of each chip built in the IC, including the control stage, gate drive stage, power MOSFETs, and bootstrap diodes.

SX6812xM Series

2. Recommended Operating Conditions

| Parameter | Symbol | Conditions | Min. | Typ. | Max. | Unit | Remarks |
|--|--------------------|-----------------------------|-------|------|------|------|----------------------|
| Main Supply Voltage | V _{DC} | VBB-LSx | — | 300 | 400 | V | |
| Logic Supply Voltage | V _{CC} | VCCx-COM | 13.5 | — | 16.5 | V | |
| | V _{BS} | VB1-U, VB2-V1, VB3-W1 | 13.5 | — | 16.5 | V | |
| Input Voltage 1 (HUP, HUN, HVP, HVN, HWP, HWN) | V _{IN(1)} | | 0 | — | 5.0 | V | |
| Input Voltage 2 (MLP, CW/CCW) | V _{IN(2)} | | 0 | — | 5.0 | | |
| Input Voltage 3 (VSP) | V _{IN(3)} | | 0 | — | 5.4 | V | |
| FO Pin Noise Filter Capacitor | C _{FO} | | 0.001 | — | 0.01 | μF | |
| Bootstrap Capacitor | C _B | | 1 | — | — | μF | |
| Shunt Resistor* | R _S | I _{OP} ≤ 2.25 A | 0.4 | — | — | Ω | SX68126M SX68128M |
| | | I _{OP} ≤ 3.0 A | 0.3 | — | — | | SX68127M |
| RC Filter Resistor | R _O | | — | — | 100 | Ω | |
| RC Filter Capacitor | C _O | | 100 | — | 2200 | pF | |
| Operating Case Temperature | T _{C(OP)} | | — | — | 100 | °C | |

* Should be a resistor with low inductance.

SX6812xM Series

3. Electrical Characteristics

Current polarities are defined as follows: current going into the IC (sinking) is positive current (+); current coming out of the IC (sourcing) is negative current (-). Unless specifically noted, $T_A = 25\text{ }^\circ\text{C}$, $V_{CC} = 15\text{ V}$.

3.1 Characteristics of Control Parts

| Parameter | Symbol | Conditions | Min. | Typ. | Max. | Unit |
|--|---------------|---|------|------|------|---------------|
| Power Supply Operation | | | | | | |
| Low-side Logic Operation Start Voltage | $V_{CC(ON)}$ | VCCx-COM | 10.5 | 11.5 | 12.5 | V |
| Low-side Logic Operation Stop Voltage | $V_{CC(OFF)}$ | | 10.0 | 11.0 | 12.0 | V |
| High-side Logic Operation Start Voltage | $V_{BS(ON)}$ | VB1-U, VB2-V1, VB3-W1 | 9.5 | 10.5 | 11.5 | V |
| High-side Logic Operation Stop Voltage | $V_{BS(OFF)}$ | | 9.0 | 10.0 | 11.0 | V |
| Logic Supply Current | I_{CC} | $V_{SP} = 5.4\text{ V}$, $I_{REG} = 0\text{ A}$ | — | 6 | 10 | mA |
| | I_{BS} | $V_{Bx} = 15\text{ V}$, $V_{SP} = 5.4\text{ V}$; VBx pin current in 1-phase operation | — | 90 | 250 | μA |
| Input Signal | | | | | | |
| High Level Input Voltage ⁽¹⁾ (MLP, CW/CCW) | V_{IH} | | 3.4 | — | — | V |
| Low Level Input Voltage (MLP, CW/CCW) | V_{IL} | | — | — | 1.6 | V |
| High Level Input Current 1 (MLP, CW/CCW, LA, VSP) | I_{IH1} | $V_{IN} = V_{REG}$ | — | 30 | 100 | μA |
| Low Level Input Current 1 (MLP, CW/CCW, LA, VSP) | I_{IL1} | $V_{INL} = 0\text{ V}$ | — | — | 2 | μA |
| High Level Input Current 2 (OCP) | I_{IH2} | $V_{IN} = V_{REG}$ | -5 | — | 5 | μA |
| Low Level Input Current 2 (OCP) | I_{IL2} | $V_{INL} = 0\text{ V}$ | — | 23 | 90 | μA |
| FG Pin High Level Output Voltage | V_{OH} | | 4.5 | — | 5.5 | V |
| FG Pin Low Level Output Voltage | V_{OL} | | — | — | 0.5 | V |
| FO Pin High Level Output Voltage | $V_{FO(H)}$ | | 4.5 | — | 5.5 | V |
| PWM Control | | | | | | |
| PWM Carrier Frequency ⁽²⁾ | f_C | OSCR = Open | 16 | 17 | 18 | kHz |
| Internal Oscillator Frequency ⁽²⁾ | f_{OSC} | | 4.10 | 4.32 | 4.54 | MHz |
| Dead Time ⁽²⁾ | t_D | | — | 1.2 | — | μs |
| Control IC Output Pulse Duty Cycle ⁽²⁾ | D | $V_{SP} = 2.0\text{ V}$ | — | 0 | 3 | % |
| | | $V_{SP} = 3.75\text{ V}$ | 47 | 50 | 53 | % |
| | | $V_{SP} = 5.4\text{ V}$ (driven by sinusoidal control) | 93.7 | — | 100 | % |
| Protection | | | | | | |
| OCL Threshold Voltage | V_{LIM} | | 0.46 | 0.50 | 0.54 | V |
| OCL Blanking Time | $t_{BK(OCL)}$ | OSCR = Open | — | 1.9 | — | μs |
| OCP Threshold Voltage | V_{TRIP} | | 0.7 | 0.8 | 0.9 | V |
| OCP Blanking Time | $t_{BK(OCP)}$ | OSCR = Open | — | 1.3 | — | μs |

⁽¹⁾ Guaranteed by design.

⁽²⁾ Refers to an internal signal; guaranteed by design.

SX6812xM Series

| Parameter | Symbol | Conditions | Min. | Typ. | Max. | Unit |
|--|--------------|--|------|------|------|------|
| OCP Hold Time | t_p | OSCR = Open | — | 15 | — | ms |
| MLP Detection Time | t_{LD} | OSCR = Open | — | 6 | — | s |
| MLP Hold Time | t_{LH} | OSCR = Open | — | 35 | — | s |
| TSD Operating Temperature ⁽³⁾ | T_{DH} | $I_{REG} = 0 \text{ mA}$; without heatsink | — | 130 | — | °C |
| TSD Releasing Temperature ⁽³⁾ | T_{DL} | | — | 90 | — | °C |
| TSD Hysteresis Temperature ⁽³⁾ | $T_{D(HYS)}$ | | — | 40 | — | °C |
| VREG Pin Output Voltage | V_{REG} | $I_{REG} = 0 \text{ mA}$ to 30 mA | 4.5 | 5.0 | 5.5 | V |
| VREG Pin Undervoltage Lockout Operating Voltage ⁽²⁾ | V_{UVRL} | | — | 3.6 | — | V |
| VREG Pin Undervoltage Lockout Releasing Voltage ⁽²⁾ | V_{UVRH} | | — | 4.0 | — | V |

⁽³⁾ Refers to the junction temperature of the gate drive stage.

Not Recommended for New Designs

3.2 Transistor Characteristics

Figure 3-1 provides the definitions of switching characteristics described in this and the following sections. V_{GS} represents the voltage between the gate and source of an internal power MOSFET.

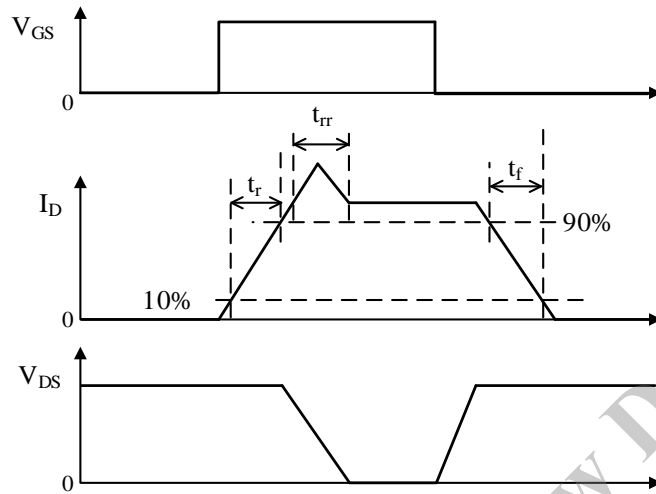


Figure 3-1. Switching Characteristics Definitions

3.2.1 SX68126M

| Parameter | Symbol | Conditions | Min. | Typ. | Max. | Unit |
|--|--------------|---|------|------|------|---------------|
| Drain-to-Source Leakage Current | I_{DSS} | $V_{DS} = 600\text{ V}, V_{GS} = 0\text{ V}$ | — | — | 100 | μA |
| Drain-to-Source On-resistance | $R_{DS(ON)}$ | $I_D = 0.75\text{ A}$ | — | 3.8 | 4.2 | Ω |
| Source-to-Drain Diode Forward Voltage | V_{SD} | $I_{SD} = 0.75\text{ A}$ | — | 1.0 | 1.5 | V |
| High-side Switching | | | | | | |
| Source-to-Drain Diode Reverse Recovery Time* | t_{rr} | $V_{DC} = 300\text{ V}, V_{CC} = 15\text{ V}, I_D = 0.75\text{ A}, V_{GS} = 0 \rightarrow 15\text{ V or } 15 \rightarrow 0\text{ V}, T_J = 25\text{ }^\circ\text{C},$ inductive load | — | 135 | — | ns |
| Rise Time* | t_r | | — | 60 | — | ns |
| Fall Time* | t_f | | — | 20 | — | ns |
| Low-side Switching | | | | | | |
| Source-to-Drain Diode Reverse Recovery Time* | t_{rr} | $V_{DC} = 300\text{ V}, V_{CC} = 15\text{ V}, I_D = 0.75\text{ A}, V_{GS} = 0 \rightarrow 15\text{ V or } 15 \rightarrow 0\text{ V}, T_J = 25\text{ }^\circ\text{C},$ inductive load | — | 135 | — | ns |
| Rise Time* | t_r | | — | 60 | — | ns |
| Fall Time* | t_f | | — | 20 | — | ns |

* Guaranteed by design.

SX6812xM Series

3.2.2 SX68127M

| Parameter | Symbol | Conditions | Min. | Typ. | Max. | Unit |
|--|--------------|--|------|------|------|---------------|
| Drain-to-Source Leakage Current | I_{DSS} | $V_{DS} = 600\text{ V}, V_{GS} = 0\text{ V}$ | — | — | 100 | μA |
| Drain-to-Source On-resistance | $R_{DS(ON)}$ | $I_D = 1.0\text{ A}$ | — | 2.0 | 2.5 | Ω |
| Source-to-Drain Diode Forward Voltage | V_{SD} | $I_{SD} = 1.0\text{ A}$ | — | 1.0 | 1.6 | V |
| High-side Switching | | | | | | |
| Source-to-Drain Diode Reverse Recovery Time* | t_{rr} | $V_{DC} = 300\text{ V},$ $V_{CC} = 15\text{ V},$ $I_D = 1.0\text{ A},$ $V_{GS} = 0 \rightarrow 15\text{ V or } 15 \rightarrow 0\text{ V},$ $T_J = 25\text{ }^\circ\text{C},$ inductive load | — | 135 | — | ns |
| Rise Time* | t_r | | — | 60 | — | ns |
| Fall Time* | t_f | | — | 20 | — | ns |
| Low-side Switching | | | | | | |
| Source-to-Drain Diode Reverse Recovery Time* | t_{rr} | $V_{DC} = 300\text{ V},$ $V_{CC} = 15\text{ V},$ $I_D = 1.0\text{ A},$ $V_{GS} = 0 \rightarrow 15\text{ V or } 15 \rightarrow 0\text{ V},$ $T_J = 25\text{ }^\circ\text{C},$ inductive load | — | 135 | — | ns |
| Rise Time* | t_r | | — | 60 | — | ns |
| Fall Time* | t_f | | — | 20 | — | ns |

3.2.3 SX68128M

| Parameter | Symbol | Conditions | Min. | Typ. | Max. | Unit |
|--|--------------|---|------|------|------|---------------|
| Drain-to-Source Leakage Current | I_{DSS} | $V_{DS} = 600\text{ V}, V_{GS} = 0\text{ V}$ | — | — | 100 | μA |
| Drain-to-Source On-resistance | $R_{DS(ON)}$ | $I_D = 0.75\text{ A}$ | — | 2.9 | 3.6 | Ω |
| Source-to-Drain Diode Forward Voltage | V_{SD} | $I_{SD} = 0.75\text{ A}$ | — | 0.95 | 1.5 | V |
| High-side Switching | | | | | | |
| Source-to-Drain Diode Reverse Recovery Time* | t_{rr} | $V_{DC} = 300\text{ V},$ $V_{CC} = 15\text{ V},$ $I_D = 0.75\text{ A},$ $V_{GS} = 0 \rightarrow 15\text{ V or } 15 \rightarrow 0\text{ V},$ $T_J = 25\text{ }^\circ\text{C},$ inductive load | — | 125 | — | ns |
| Rise Time* | t_r | | — | 60 | — | ns |
| Fall Time* | t_f | | — | 25 | — | ns |
| Low-side Switching | | | | | | |
| Source-to-Drain Diode Reverse Recovery Time* | t_{rr} | $V_{DC} = 300\text{ V},$ $V_{CC} = 15\text{ V},$ $I_D = 0.75\text{ A},$ $V_{GS} = 0 \rightarrow 15\text{ V or } 15 \rightarrow 0\text{ V},$ $T_J = 25\text{ }^\circ\text{C},$ inductive load | — | 130 | — | ns |
| Rise Time* | t_r | | — | 65 | — | ns |
| Fall Time* | t_f | | — | 30 | — | ns |

* Guaranteed by design.

SX6812xM Series

3.3 Bootstrap Diode Characteristics

| Parameter | Symbol | Conditions | Min. | Typ. | Max. | Unit |
|---------------------------------|------------|---|------|------|------|---------------|
| Bootstrap Diode Leakage Current | I_{LBD} | $V_R = 600\text{ V}$ | — | — | 10 | μA |
| Bootstrap Diode Forward Voltage | V_{FB} | $I_{FB} = 0.15\text{ A}$; R_{BOOT} excluded | — | 1.0 | 1.3 | V |
| Bootstrap Diode Series Resistor | R_{BOOT} | | 45 | 60 | 75 | Ω |

3.4 Thermal Resistance Characteristics

| Parameter | Symbol | Conditions | Min. | Typ. | Max. | Unit |
|--|-----------|--|------|------|------|-----------------------------|
| Junction-to-Case Thermal Resistance ⁽¹⁾ | R_{J-C} | All power MOSFETs operating ⁽²⁾ | — | — | 10 | $^{\circ}\text{C}/\text{W}$ |
| Junction-to-Ambient Thermal Resistance | R_{J-A} | All power MOSFETs operating ⁽²⁾ | — | — | 35 | $^{\circ}\text{C}/\text{W}$ |

⁽¹⁾ Refers to a case temperature at the measurement point described in Figure 3-2.

⁽²⁾ Mounted on a CEM-3 glass (1.6 mm in thickness, 35 μm in copper foil thickness), and measured under natural air cooling without silicone potting.

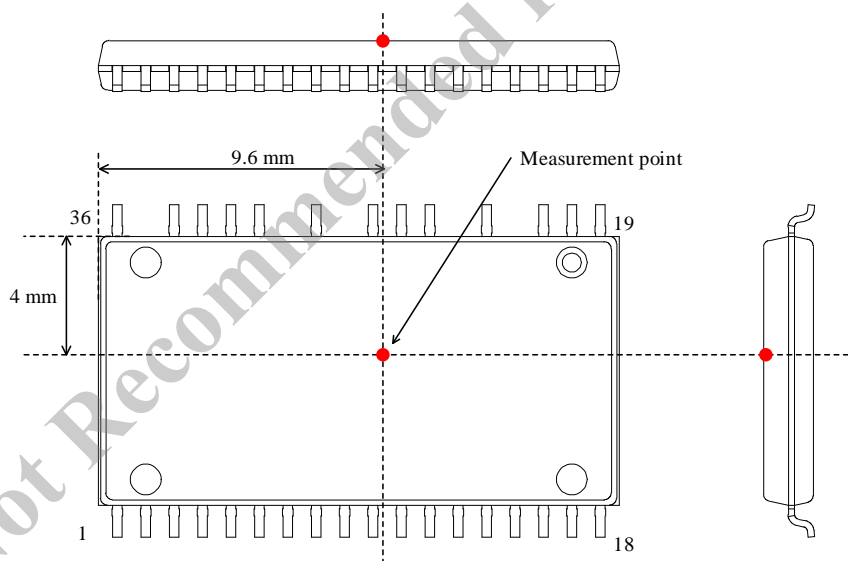


Figure 3-2. Case Temperature Measurement Point

SX6812xM Series

4. Mechanical Characteristics

| Parameter | Conditions | Min. | Typ. | Max. | Unit |
|----------------|------------|------|------|------|------|
| Package Weight | | — | 1.4 | — | g |

5. Block Diagram

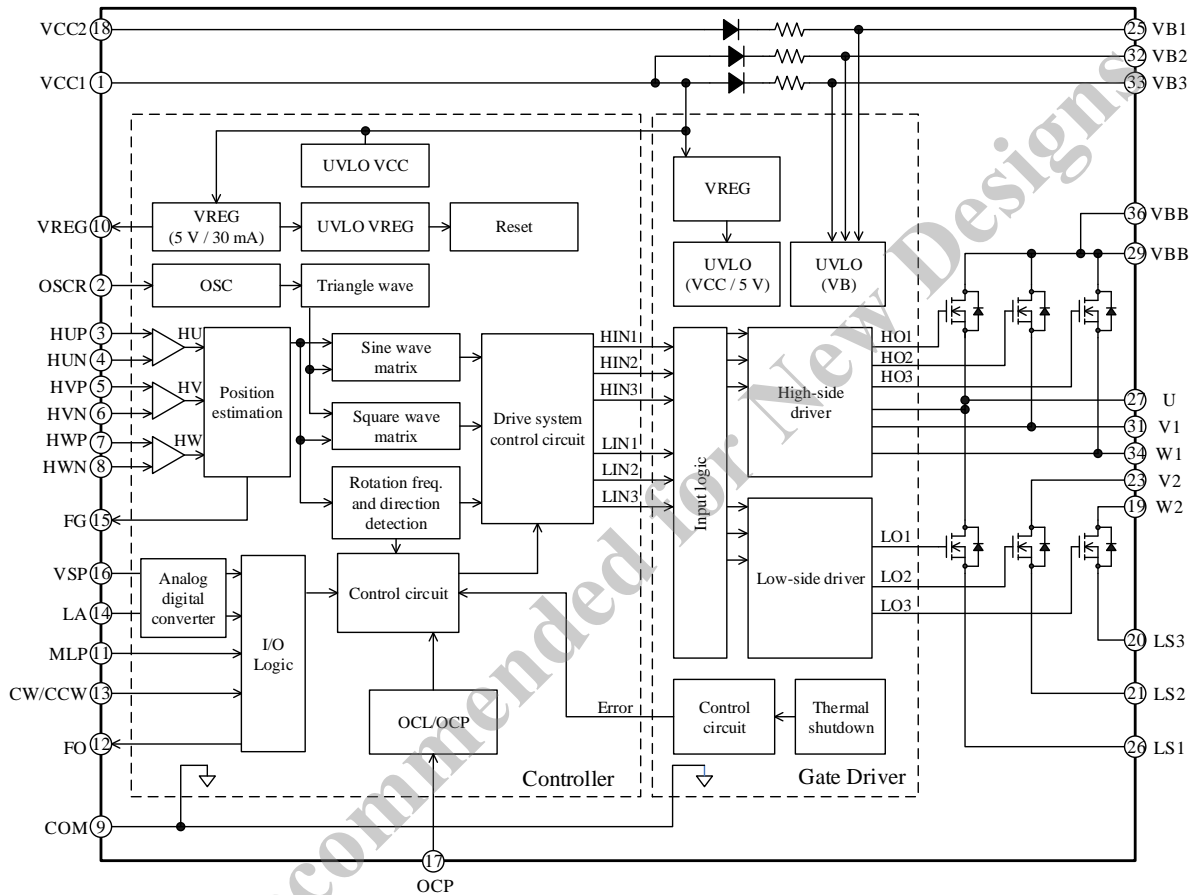


Figure 5-1. SX6812xM Block Diagram

6. Pin Configuration Definitions

| Top View | | | | Pin Number | Pin Name | Description |
|----------|--------|-----|----|------------|----------|--|
| 1 | VCC1 | VBB | 36 | 1 | VCC1 | Logic supply voltage input 1 |
| 2 | OSCR | | 35 | 2 | OSCR | Input for oscillator frequency setting signal |
| 3 | HUP | W1 | 34 | 3 | HUP | U-phase Hall element positive signal input (+) |
| 4 | HUN | VB3 | 33 | 4 | HUN | U-phase Hall element negative signal input (-) |
| 5 | HVP | VB2 | 32 | 5 | HVP | V-phase Hall element positive signal input (+) |
| 6 | HVN | V1 | 31 | 6 | HVN | V-phase Hall element negative signal input (-) |
| 7 | HWP | | 30 | 7 | HWP | W-phase Hall element positive signal input (+) |
| 8 | HWN | VBB | 29 | 8 | HWN | W-phase Hall element negative signal input (-) |
| 9 | COM | | 28 | 9 | COM | Logic ground |
| 10 | VREG | U | 27 | 10 | VREG | Internal regulator output |
| 11 | MLP | LS1 | 26 | 11 | MLP | Setting pin to enable or disable the motor lock protection |
| 12 | FO | VB1 | 25 | 12 | FO | Fault signal output |
| 13 | CW/CCW | | 24 | 13 | CW/CCW | Input for motor direction setting signal |
| 14 | LA | V2 | 23 | 14 | LA | Input for phase advance angle setting signal |
| 15 | FG | | 22 | 15 | FG | Rotation pulse signal output |
| 16 | VSP | LS2 | 21 | 16 | VSP | Input for motor speed control signal |
| 17 | OCP | LS3 | 20 | 17 | OCP | Input for overcurrent detection signal |
| 18 | VCC2 | W2 | 19 | 18 | VCC2 | Logic supply voltage input 2 |
| | | | | 19 | W2 | W-phase output (connected to W1 externally) |
| | | | | 20 | LS3 | W-phase low-side power MOSFET source |
| | | | | 21 | LS2 | V-phase low-side power MOSFET source |
| | | | | 22 | — | Pin removed |
| | | | | 23 | V2 | V-phase output (connected to V1 externally) |
| | | | | 24 | — | Pin removed |
| | | | | 25 | VB1 | U-phase high-side floating supply voltage input |
| | | | | 26 | LS1 | U-phase low-side power MOSFET source |
| | | | | 27 | U | U-phase output |
| | | | | 28 | — | Pin removed |
| | | | | 29 | VBB | Positive DC bus supply voltage (+) |
| | | | | 30 | — | Pin removed |
| | | | | 31 | V1 | V-phase output (connected to V2 externally) |
| | | | | 32 | VB2 | V-phase high-side floating supply voltage input |
| | | | | 33 | VB3 | W-phase high-side floating supply voltage input |
| | | | | 34 | W1 | W-phase output (connected to W2 externally) |
| | | | | 35 | — | Pin removed |
| | | | | 36 | VBB | Positive DC bus supply voltage (+) |

7. Typical Applications

Figure 7-1 is a typical application which uses signals input from the Hall elements; Figure 7-2 is a typical application which uses signals input from Hall ICs.

CR filters and Zener diodes should be added to your application as needed. This is to protect each pin against surge voltages causing malfunctions, and to avoid the IC being used under the conditions exceeding the absolute maximum ratings where critical damage is inevitable. Then, check all the pins thoroughly under actual operating conditions to ensure that your application works flawlessly.

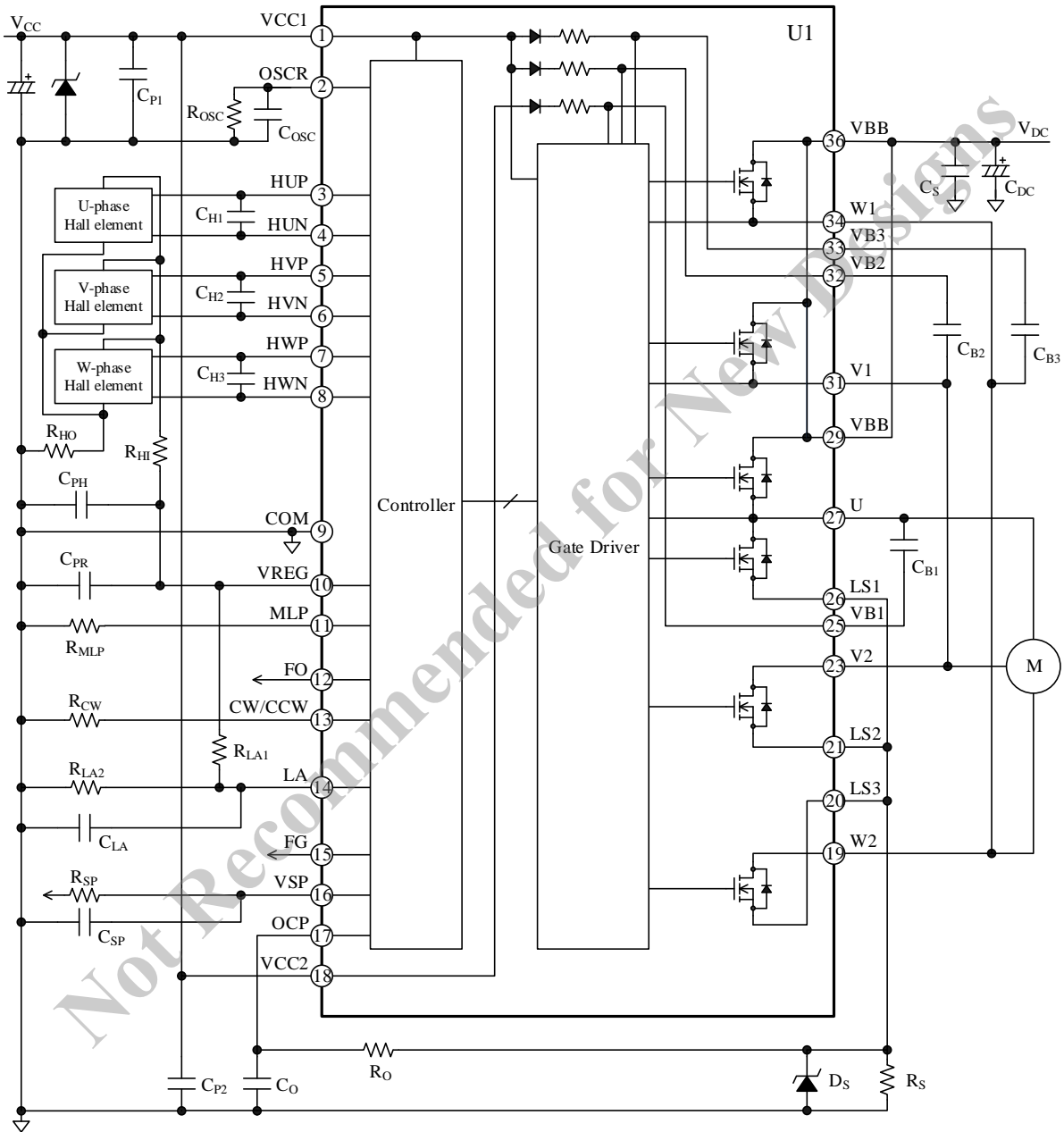


Figure 7-1. Application Using Signals Input from Hall Elements

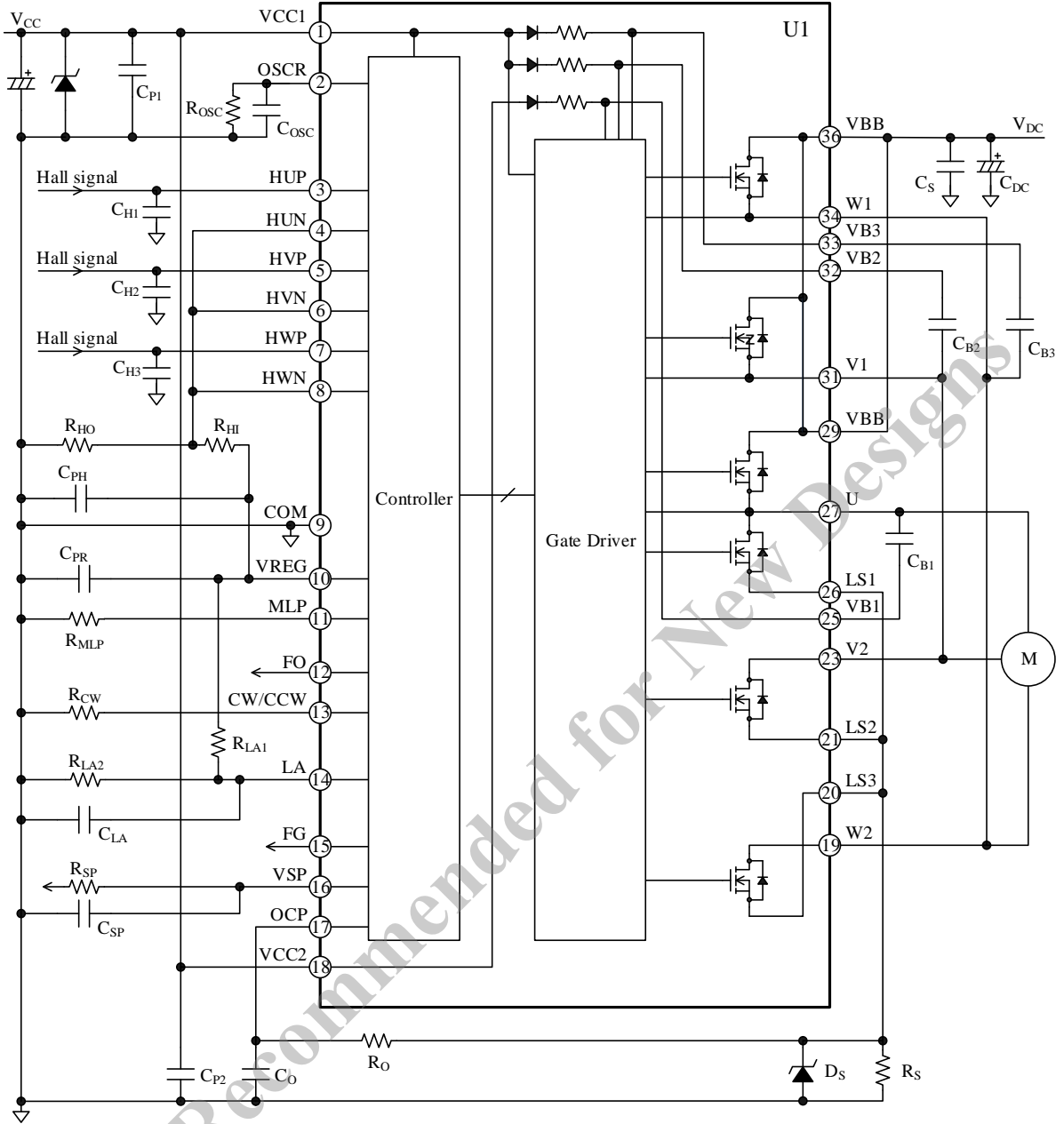
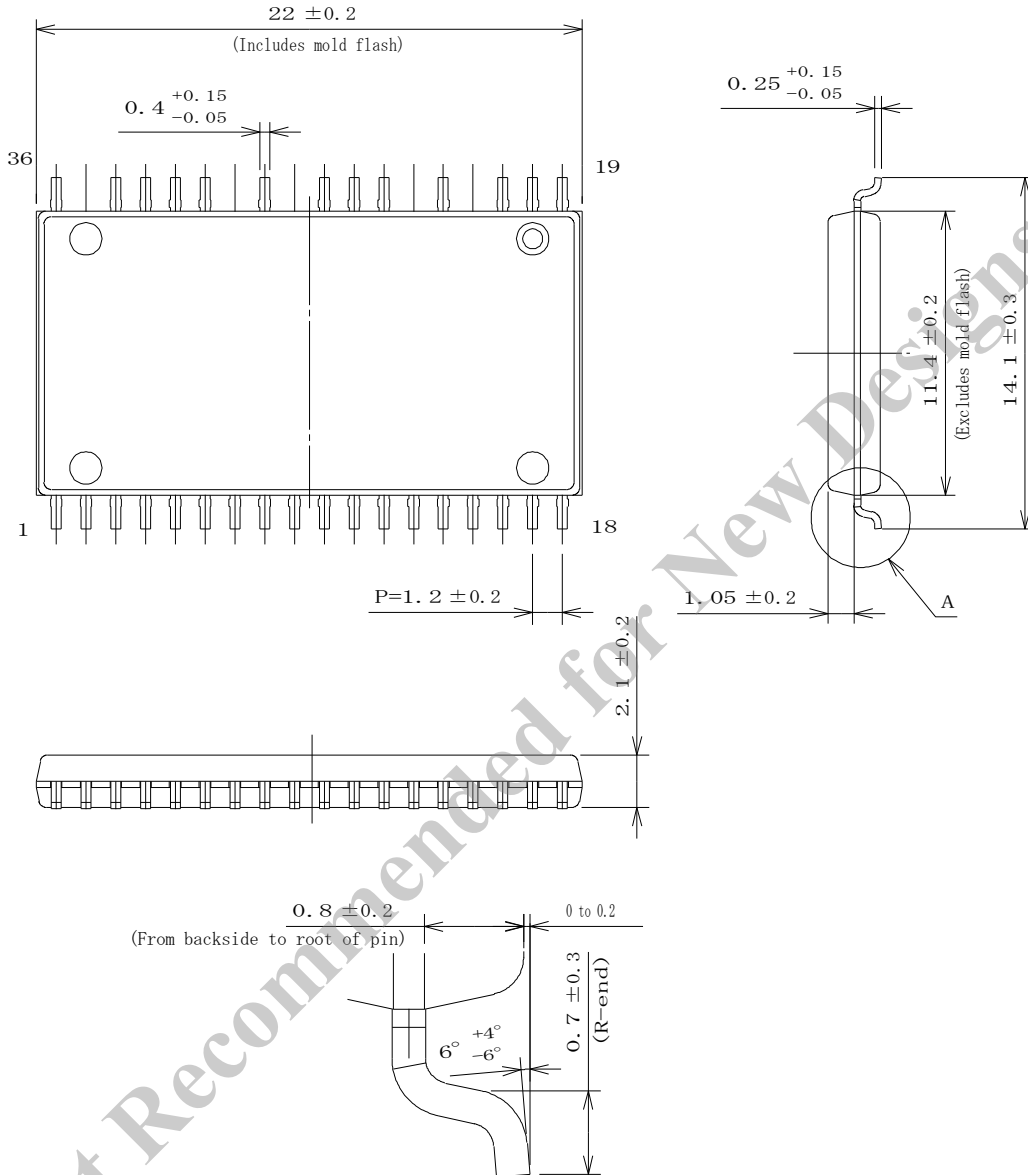


Figure 7-2. Application Using Signals Input from Hall ICs

SX6812xM Series

8. Physical Dimensions

• SOP36 Package



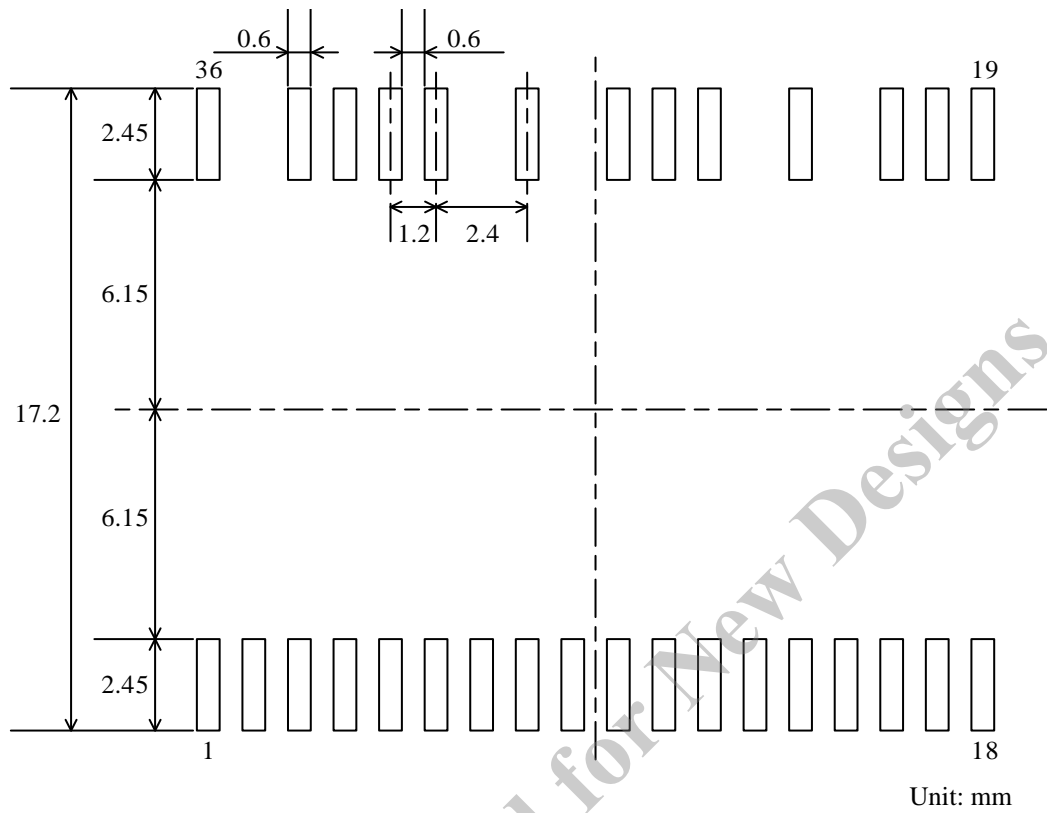
Enlarged view of A (S = 20/1)

NOTES:

- Dimensions in millimeters
- Pb-free (RoHS compliant)
- When soldering the products, it is required to minimize the working time, within the following limits:
 Reflow (MSL3):
 Preheating: $180 \text{ }^\circ\text{C} / 90 \pm 30 \text{ s}$
 Solder heating: $250 \text{ }^\circ\text{C} / 10 \pm 1 \text{ s}$ ($260 \text{ }^\circ\text{C}$ peak, 2 times)
 Soldering iron: $380 \pm 10 \text{ }^\circ\text{C} / 3.5 \pm 0.5 \text{ s}$, 1 time

SX6812xM Series

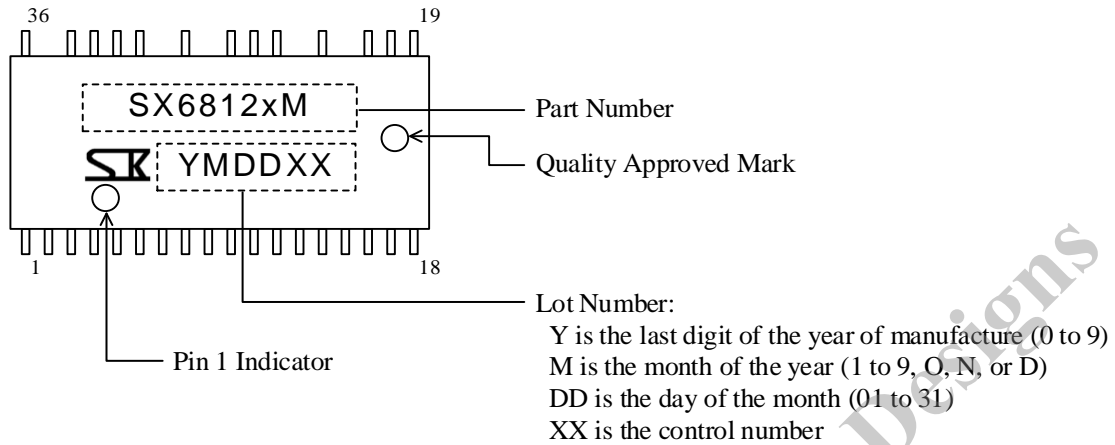
• Land Pattern Example



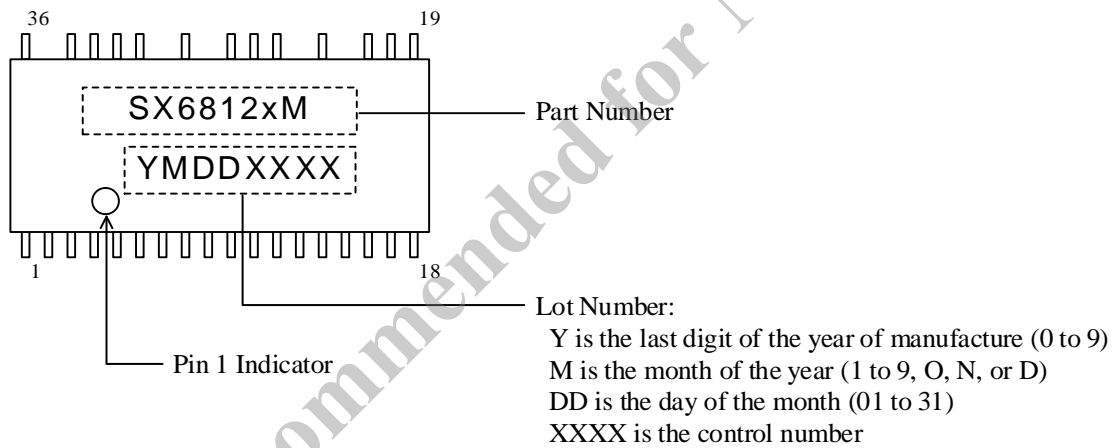
SX6812xM Series

9. Marking Diagram

• Type A



• Type B



10. Functional Descriptions

For concise descriptions, this section employs notation systems that denote the electrical characteristics symbols listed in Section 3 and the electronic symbol names of the typical applications in Section 7. All the characteristic values given in this section are typical values, unless they are specified as minimum or maximum. For pin and peripheral component descriptions, this section employs a notation system that denotes a pin name or an electronic symbol name with the arbitrary letter “x”, representing the certain numbers and letters (1 to 3 and U to W). Thus, “the VCCx pin” is used when referring to either or both of the VCC1 and VCC2 pins.

10.1 Pin Descriptions

10.1.1 VCC1 and VCC2

These are the logic supply pins for the built-in control IC. The VCC1 pin has the undervoltage lockout for power supply (see Section 10.7.2.2). The VCC1 and VCC2 pins must be externally connected on a PCB because they are not internally connected. To prevent malfunction induced by supply ripples or other factors, put a 0.01 μ F to 0.1 μ F ceramic capacitor, C_{Px} , near these pins. To prevent damage caused by surge voltages, put an 18 V to 20 V Zener diode, DZ, between the VCCx and COM pins. Voltages to be applied between the VCCx and COM pins should be regulated within the recommended operational range of V_{CC} , given in Section 2.

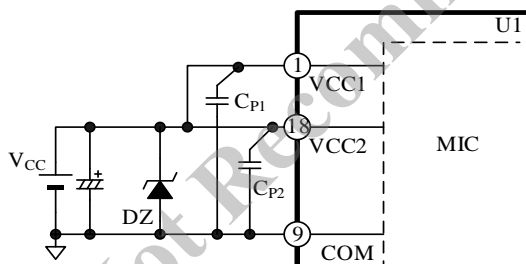


Figure 10-1. VCCx Pin Peripheral Circuit

10.1.2 OSCR

Figure 10-2 shows the OSCR pin and its peripheral circuit. To adjust a frequency of the internal oscillator, connect a resistor, R_{OSC} , to the OSCR pin. To reduce noises on the pin, connect a noise filter capacitor, C_{OSC} , with a capacitance of about 0.1 μ F. Figure 10-3 shows how the carrier frequency, f_{PWM} , and the resistance, R_{OSC} , are related. When the OSCR pin is open, the carrier frequency is set to $f_c = 17$ kHz. The following characteristics depend on a frequency of the internal

oscillator:

- OCP Hold Time, t_p
- OCL Blanking Time, $t_{BK(OCL)}$
- OCP Blanking Time, $t_{BK(OCP)}$
- MLP Detection Time, t_{LD}
- MLP Hold Time, t_{LH}

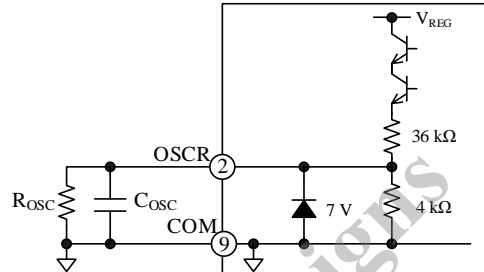


Figure 10-2. Internal Circuit Diagram of OSCR Pin and Its Peripheral Circuit

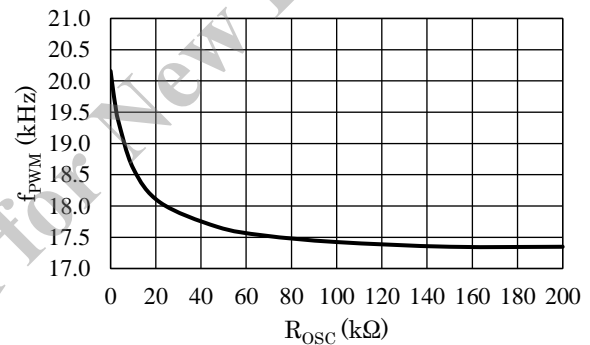


Figure 10-3. Typical Performance Curve of OSCR Pin

10.1.3 HUP, HVP, and HWP; HUN, HVN, and HWN

These are the input pins for Hall element signals. The HxP pin is connected to the positive node of a Hall element, whereas the HxN pin is connected to the negative node of a Hall element. As Figure 10-4 illustrates, connect a noise filter capacitor, C_{Hx} , with a capacitance of about 0.1 μ F, between the HxP and HxN pins. C_{Hx} must be placed near the IC with a minimal length of traces. The IC incorporates the protection circuit that detects abnormal signals from the external Hall elements (see Section 10.7.7).

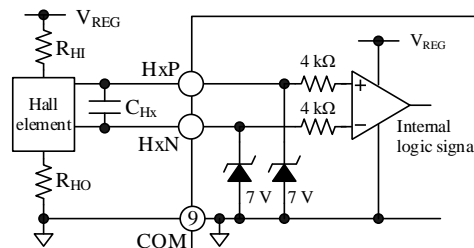


Figure 10-4. Internal Circuit Diagram of HxP and HxN

10.1.4 COM

This is the logic ground pin for the built-in control ICs. Varying electric potential of the logic ground can be a cause of improper operations. Therefore, connect the logic ground as close and short as possible to a shunt resistor, R_s , at a single-point ground (or star ground) which is separated from the power ground (see Figure 10-5).

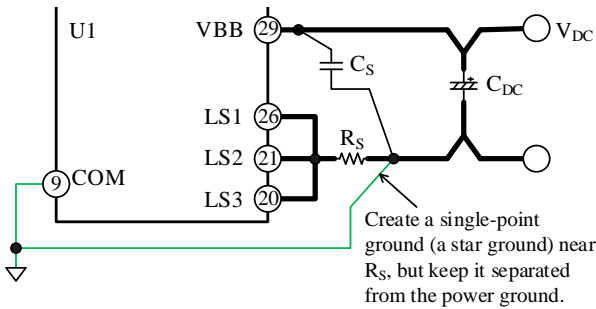


Figure 10-5. Connections to Logic Ground

10.1.5 VREG

This is the 5.0 V regulator output pin, which can be used for the power supply of the external Hall elements. A maximum output current of the VREG pin is 30 mA. To stabilize the VREG pin output, connect a capacitor, C_{PR} , of about 0.1 μ F to the pin. The VREG pin also has the undervoltage lockout. For more details on this function, see Section 10.7.1.

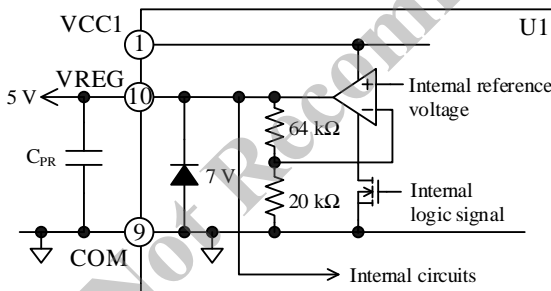


Figure 10-6. Internal Circuit Diagram of VREG Pin

10.1.6 MLP

The IC determines to enable or disable the motor lock protection based on the setting of this pin. Table 10-1 provides the logic level definitions for the MLP pin. The IC detects which logic level the MLP pin has been set during a startup period (i.e., when the V_{CCx} pin voltage is rising).

Figure 10-7 shows an internal circuit diagram of the

MLP pin. To set the MLP pin to logic low, leave the pin open. To set the MLP pin to logic high, connect the pin to the VREG pin. Section 10.7.5 explains more details on the motor lock protection.

Table 10-1. Logic Levels Defined for MLP Pin

| MLP Pin | MLP Setting Status |
|---------|--------------------|
| L | Enabled |
| H | Disabled |

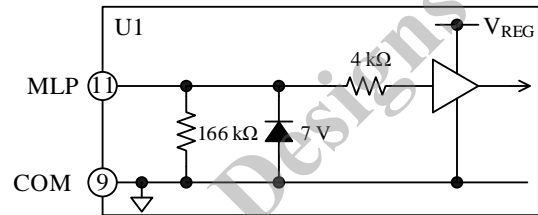


Figure 10-7. Internal Circuit Diagram of MLP Pin

10.1.7 FO

This pin operates as the fault signal output. For more details on the fault signal output, see Section 10.6. Figure 10-8 shows an internal circuit diagram of the FO pin. The FO pin is internally connected to the drains of the P-channel power MOSFET. The FO pin can also be directly connected to the input pin of the external microcontroller. For avoiding repeated OCP activations, the external microcontroller must shut off any input signals to the IC within an OCP hold time, $t_P = 15$ ms, after a fault signal output. (For more details, see Section 10.7.3.)

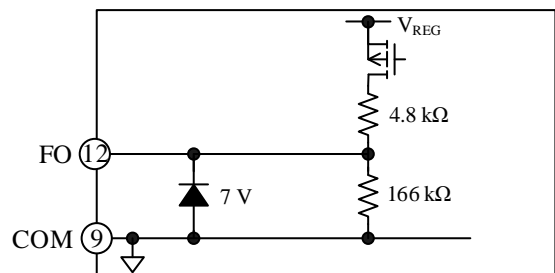


Figure 10-8. Internal Circuit Diagram of FO Pin

10.1.8 CW/CCW

This is the setting pin which determines the direction of motor rotation. Table 10-2 lists the logic level definitions for the CW/CCW pin and the corresponding motor directions. And Figure 10-9 shows an internal circuit diagram of the CW/CCW pin. To set the CW/CCW pin to logic low, connect the pin to the GND pin. To set the CW/CCW pin to logic high, connect the

pin to the VREG pin. The IC detects which logic level the CW/CCW pin has been set during a startup period (i.e., a period during which the VCCx pin voltage is rising). After the startup period ends, the IC constantly monitors the logic state of the CW/CCW pin.

Table 10-2. Logic Levels Defined for CW/CCW Pin

| CW/CCW Pin | Motor Direction |
|------------|-----------------|
| L | Reverse (CCW) |
| H | Forward (CW) |

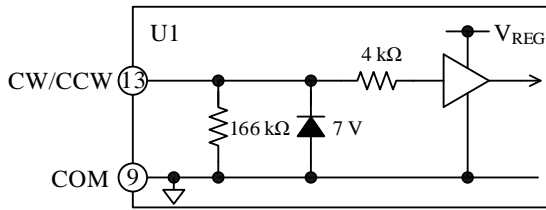


Figure 10-9. Internal Circuit Diagram of CW/CCW Pin

10.1.9 LA

The IC features the phase advance function. The angle of phase advance is determined by an analog voltage applied to the LA pin. Section 10.5 gives detailed explanations on the LA pin settings and the phase advance function.

10.1.10 FG

The FG pin outputs a rotation pulse signal that is generated based on a position sensing signal. A rotation pulse signal is inverted at each edge of the Hall element signal assigned to the U-, V-, and W-phases. As shown in Figure 10-10, the FG pin is internally pulled down to the COM pin.

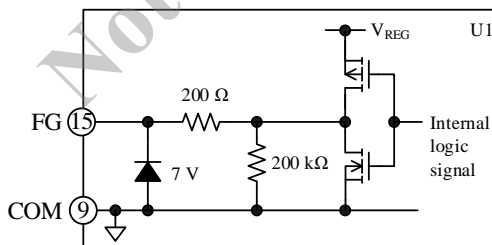


Figure 10-10. Internal Circuit Diagram of FG Pin

10.1.11 VSP

The IC controls the speed of motor rotation with an

analog voltage applied to the VSP pin. For more details on the motor speed control, see Section 10.4.

10.1.12 OCP

This pin serves as the input of the overcurrent protection (OCP) which monitors the currents flowing through the output transistors. The IC determines which of the overcurrent limit (OCL) and overcurrent protection (OCP) functions to activate according to the level of a voltage applied to the OCP pin. Section 10.7.3 provides further information about the OCP circuit configuration and its mechanism.

10.1.13 VBB

This is the input pin for the main supply voltage, i.e., the positive DC bus. All of the power MOSFET drains of the high-side are connected to this pin. Voltages between the VBB and COM pins should be set within the recommended range of the main supply voltage, V_{DC}, given in Section 2.

To suppress surge voltages, put a 0.01 μF to 0.1 μF bypass capacitor, C_S, near the VBB pin and an electrolytic capacitor, C_{DC}, with a minimal length of PCB traces to the VBB pin.

10.1.14 VB1, VB2, and VB3

The VB1, VB2, and VB3 pins are connected to bootstrap capacitors, C_{Bx}, for the high-side floating supply. For proper startup, turn on the low-side transistors first, then fully charge the bootstrap capacitors, C_{Bx}.

For the capacitance of the bootstrap capacitors, C_{Bx}, choose the values that satisfy Equations (1) and (2). Note that capacitance tolerance and DC bias characteristics must be taken into account when you choose appropriate values for C_{Bx}.

$$C_{Bx}(\mu F) > 800 \times t_{L(OFF)} \tag{1}$$

$$1 \mu F \leq C_{Bx} \leq 220 \mu F \tag{2}$$

In Equation (1), let t_{L(OFF)} be the maximum off-time of the low-side transistor (i.e., the non-charging time of C_{Bx}), measured in seconds.

Even while the high-side transistor is off, voltage across the bootstrap capacitor keeps decreasing due to power dissipation in the IC. When the VBx pin voltage decreases to V_{BS(OFF)} or less, the high-side undervoltage lockout (UVLO_VB) starts operating (see Section 10.7.2.1). Therefore, actual board checking should be done thoroughly to validate that voltage across the VBx

pin maintains over 11.0 V ($V_{BS} > V_{BS(OFF)}$) during a low-frequency operation such as a startup period.

As Figure 10-11 shows, a bootstrap diode, D_{BOOTx} , and a current-limiting resistor, R_{BOOTx} , are internally placed in series between the $VCCx$ and VBx pins. Time constant for the charging time of C_{Bx} , τ , can be computed by Equation (3):

$$\tau = C_{Bx} \times R_{BOOTx} \tag{3}$$

where C_{Bx} is the optimized capacitance of the bootstrap capacitor, and R_{BOOTx} is the resistance of the current-limiting resistor ($60 \Omega \pm 20\%$).

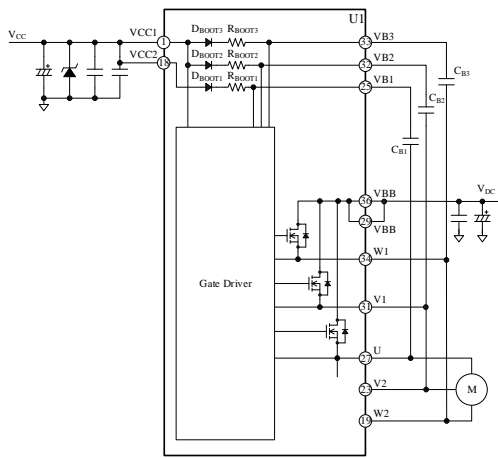


Figure 10-11. Bootstrap Circuit

Section 10.2 describes the startup sequences of the IC in detail; Section 10.3 explains the procedures to charge the bootstrap capacitors.

C_{Bx} , with a capacitance of about 1 μ F, must be placed near the IC, and connected between VBx and output (U, V1, W1) pins with a minimal length of traces.

10.1.15 U, V1, V2, W1, and W2

These pins are the outputs of the three phases, and serve as the connection terminals to the 3-phase motor. The V1 and W1 pins must be connected to the V2 and W2 pins on a PCB, respectively. The U, V, and W1 pins are the grounds for the VB1, VB2, and VB3 pins. The U, V1, and W1 pins are connected to the negative nodes of bootstrap capacitors, C_{Bx} . Since high voltages are applied to these output pins (U, V1, V2, W1, W2), it is required to take measures for insulating as follows:

- Keep enough distance between the output pins and low-voltage traces.
- Coat the output pins with insulating resin.

10.1.16 LS1, LS2, and LS3

The LS1, LS2, and LS3 pins are internally connected to the low-side power MOSFET sources of the U-, V-, and W-phases, respectively. The LSx pin should be connected to an external shunt resistor, R_s , on a PCB. When connecting the shunt resistor, use the resistor with low inductance (required), and place it as near as possible to the IC with a minimum length of traces to the LSx and COM pins. Otherwise, malfunction may occur because a longer circuit trace increases its inductance and thus increases its susceptibility to improper operations. In applications where long PCB traces are required, add a fast recovery diode, D_{RS} , between the LSx and COMx pins in order to prevent the IC from malfunctioning.

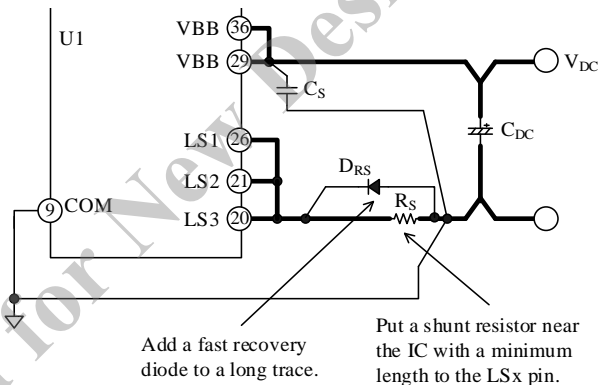


Figure 10-12. Connections to LSx Pin

10.2 Startup Operation

When the $VCCx$ pin voltage reaches $V_{CC(ON)} = 11.5$ V, the IC starts operating. As the startup sequence starts, the IC detects and reflects the logic states of the following pins to the motor control settings: the MLP pin for enabling or disabling the motor lock protection; the CW/CCW pin for setting the motor direction. The IC then waits for the VSP pin voltage to reach a certain level at which output duty cycles are controllable. At startup, the IC operates according to the VSP pin voltage levels as follows:

- **$V_{SP} < 1.0$ V:**
All the output signals are off.
- **1.0 V \leq $V_{SP} < 2.1$ V:**
The IC starts charging bootstrap capacitors. For more details, see Section 10.3.
- **2.1 V \leq $V_{SP} \leq 5.4$ V:**
The IC controls its output duty cycles according to the VSP pin voltage levels. While the frequency of a position sensing signal, Hx, is less than 1.0 Hz at startup, the motor is driven by a trapezoidal control. When Hx

increases to 1.0 Hz or more (i.e., the condition in which a position sensing signal is detected at every rotation of 60° in electrical degrees), the IC generates a sine-wave

Table 10-3 and Table 10-4 are truth tables for the motor driven by the trapezoidal control in a forward or reverse rotation. Moreover, the timing charts shown later represent the operational waveforms in the following motor operations: the motor in a forward rotation (no phase advance; Figure 10-17), the motor in a forward rotation (phase advance by 15°; Figure 10-18), and the motor in a reverse rotation (Figure 10-19). The following symbols used in Figure 10-17 to Figure 10-19 represent the signals generated inside the IC: S_U, S_V, S_W, S_X, S_Y, S_Z.

When the IC detects a state in which the motor rotates inversely to the preset direction, the motor driving system is immediately switched to the trapezoidal control before a rotation of 60° electrical angle completes. For detailed descriptions on the reverse rotation detection, see Section 10.7.6.

The following are the important considerations for appropriate power startup and shutdown sequences.

- To turn on the IC, be sure to increase the VSP pin voltage last. To turn off the IC, be sure to decrease the VSP pin voltage first.
- When you have enabled the motor lock protection (MLP = L), be sure to apply a voltage to the VBB pin at the timing described below. At startup, apply a voltage to the VCCx pin and the VREG pin voltage, V_{REG}, increases. Then, apply a main supply voltage to the VBB pin within the period from V_{REG} increase to an MLP detection time, t_{LD}. When a position sensing signal stays unchanged even after a lapse of t_{LD}, the IC determines this condition as a motor lockup state and activates the motor lock protection (see Section 10.7.5).

The IC can also operate in test mode. In test mode, the high-side transistors in the trapezoidal control are driven at duty cycle = 100%, the TSD circuit is disabled, and the phase advance angle is fixed at 0°. To start IC operations in test mode, turn on the IC after applying a voltage of ≥8.1 V on the VSP pin, and a voltage of 2.75 V (typ.) on the LA pin.

10.3 Charging of Bootstrap Capacitors

It is required to fully charge bootstrap capacitors, C_{Bx}, at startup. The charging sequence depends on the VSP pin voltage, V_{SP}. When 1.0 V ≤ V_{SP} ≤ 2.1 V at startup, the IC turns on the low-side power MOSFETs at every PWM cycle in order to charge C_{Bx}. When V_{SP} ≥ 2.1 V, the IC controls the motor speed according to the VSP pin voltage levels (see Section 10.4). However, note that the IC does not charge C_{Bx} even when 1.0 V ≤ V_{SP} ≤ 2.1 V along with the motor rotating inversely to the preset direction, or the motor coasting at a frequency of ≥1.0 Hz. If a sudden rise in the VSP pin voltage up to 2.1 V

signal and drives the motor by a sinusoidal control.

or more occurs at startup, the IC starts the motor speed control after charging C_{Bx} for a period of 9 ms ± 5%.

10.4 Motor Speed Control

The IC controls the speed of motor rotation with an analog voltage applied to the VSP pin. When 2.1 V ≤ V_{SP} ≤ 5.4 V, the IC controls its output duty cycles depending on the VSP pin voltage levels. For the IC operation when V_{SP} < 2.1 V (i.e., the startup sequence), see Section 10.2.

A duty cycle of an output signal is determined according to a digital signal that is generated by the built-in 7-bit AD converter from the VSP pin input voltage. The higher the VSP pin voltage increases, the higher the duty cycle becomes, thus causing the motor to rotate faster. Figure 10-13 depicts how a duty cycle varies according to the VSP pin voltage, V_{SP}. While V_{SP} maintains at 5.4 V or more, the IC controls its output signals at duty cycle = 100%.

Figure 10-14 is an internal circuit diagram describing the VSP pin and its peripheral circuit. A voltage to be applied on the VSP pin, V_{SPP}, must be set to <10 V, i.e., below the rated VSP pin input voltage. R_{SP} should have a resistance of about 100 Ω; C_{SP} should have a capacitance of about 0.1 μF.

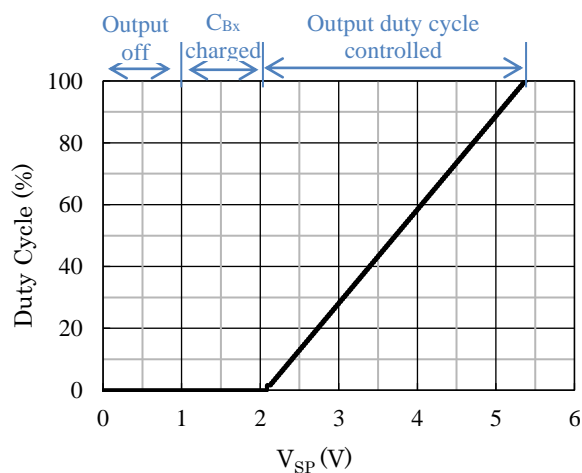


Figure 10-13. VSP Pin Voltage vs. Duty Cycle

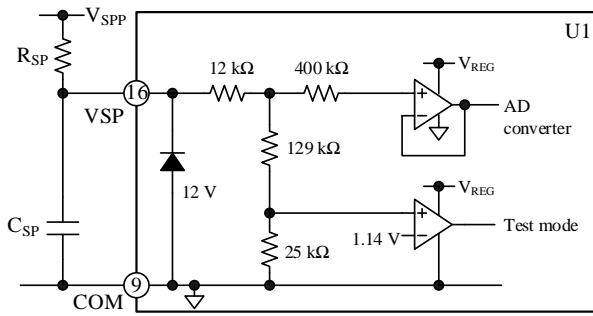


Figure 10-14. Internal Circuit Diagram of VSP Pin and Its Peripheral Circuit

10.5 Phase Advance Function

The IC features the phase advance function. The angle of phase advance is determined by an analog voltage applied to the LA pin. As shown in Figure 10-15, the VREG pin voltage divided by two resistors, R_{LA1} and R_{LA2} , is applied to the LA pin. Figure 10-16 plots how a phase advance angle changes over the LA pin voltage. When the phase advance function is enabled, each phase shifts $\pm 0.9375^\circ$ every 4 cycles of a Hall signal to the preset angle.

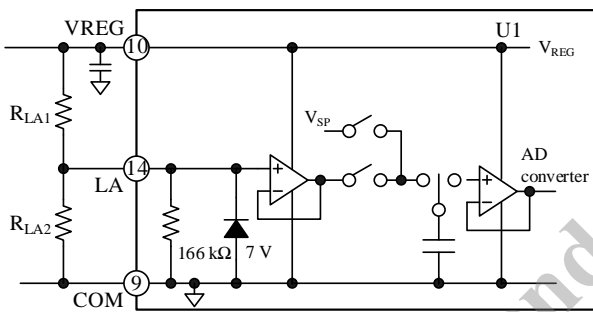


Figure 10-15. Internal Circuit Diagram of LA Pin and Its Peripheral Circuit

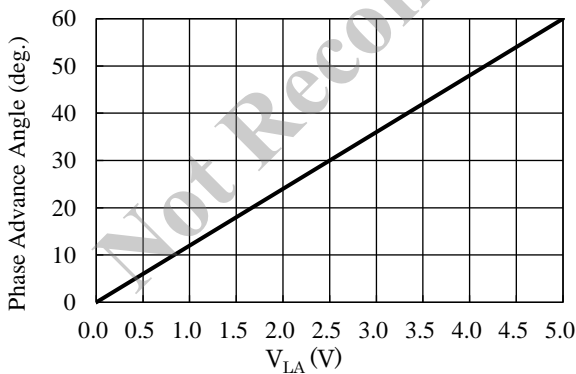


Figure 10-16. LA Pin Voltage vs. Phase Advance Angle

Table 10-3. Truth Table for Trapezoidal Control (Forward)

| Position Sensing Signal | | | U-phase | | V-phase | | W-phase | |
|-------------------------|----|----|----------------------|---------------------|----------------------|---------------------|----------------------|---------------------|
| HU | HV | HW | High-side Transistor | Low-side Transistor | High-side Transistor | Low-side Transistor | High-side Transistor | Low-side Transistor |
| H | L | H | OFF | ON | ON | OFF | OFF | OFF |
| H | L | L | OFF | ON | OFF | OFF | ON | OFF |
| H | H | L | OFF | OFF | OFF | ON | ON | OFF |
| L | H | L | ON | OFF | OFF | ON | OFF | OFF |
| L | H | H | ON | OFF | OFF | OFF | OFF | ON |
| L | L | H | OFF | OFF | ON | OFF | OFF | ON |
| L | L | L | OFF | OFF | OFF | OFF | OFF | OFF |
| H | H | H | OFF | OFF | OFF | OFF | OFF | OFF |

Table 10-4. Truth Table for Trapezoidal Control (Reverse)

| Position Sensing Signal | | | U-phase | | V-phase | | W-phase | |
|-------------------------|----|----|----------------------|---------------------|----------------------|---------------------|----------------------|---------------------|
| HU | HV | HW | High-side Transistor | Low-side Transistor | High-side Transistor | Low-side Transistor | High-side Transistor | Low-side Transistor |
| L | H | L | OFF | ON | ON | OFF | OFF | OFF |
| L | H | H | OFF | ON | OFF | OFF | ON | OFF |
| L | L | H | OFF | OFF | OFF | ON | ON | OFF |
| H | L | H | ON | OFF | OFF | ON | OFF | OFF |
| H | L | L | ON | OFF | OFF | OFF | OFF | ON |
| H | H | L | OFF | OFF | ON | OFF | OFF | ON |
| H | H | H | OFF | OFF | OFF | OFF | OFF | OFF |
| L | L | L | OFF | OFF | OFF | OFF | OFF | OFF |

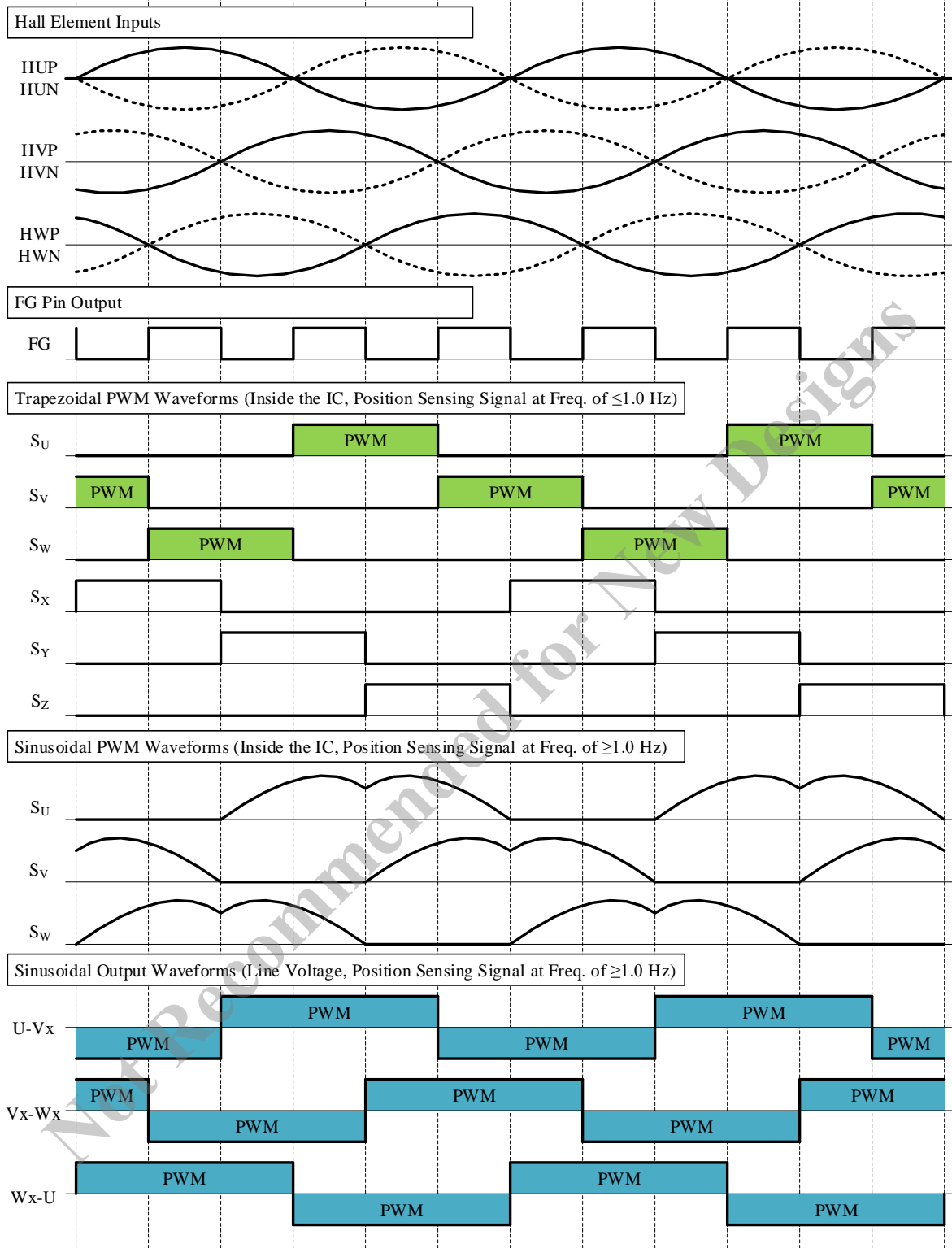


Figure 10-17. Operational Waveforms (Forward, No Phase Advance)

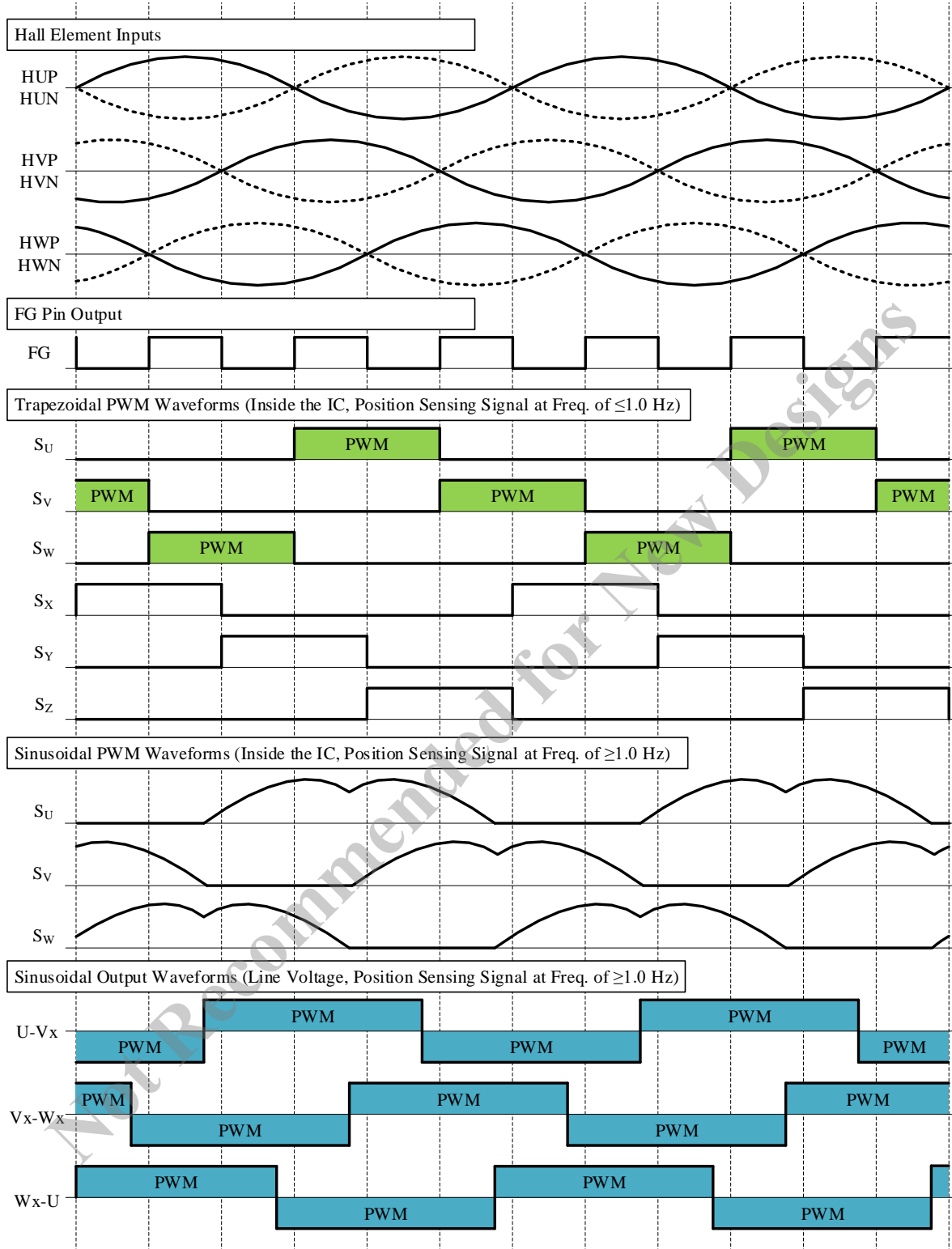


Figure 10-18. Operational Waveforms (Forward, Phase Advance by 15°)

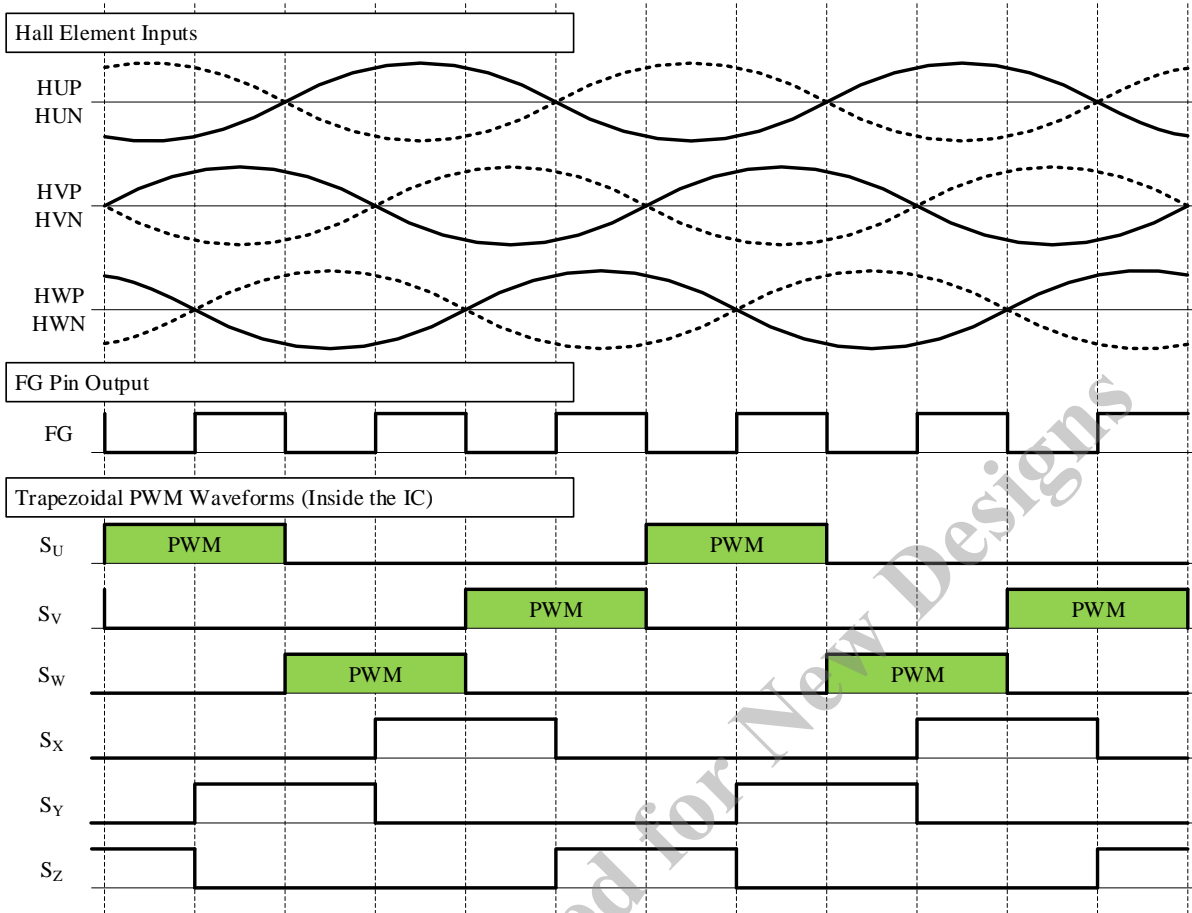


Figure 10-19. Operational Waveforms (Reverse)

10.6 Fault Signal Output

In case one or more of the following protections are actuated, an internal P-channel power MOSFET turns on, then the FO pin becomes logic high (about 5 V). In normal operation, the FO pin outputs a low signal.

For more details on the protections, see Section 10.7.

- VREG pin undervoltage lockout (UVLO_VREG)
- Overcurrent protection (OCP)
- Thermal shutdown (TSD)
- Motor lock protection (MLP)
- Reverse rotation detection
- Hall signal abnormality detection

The fault signal output time of the FO pin at OCP activation is defined as the OCP Hold Time, t_P , fixed by a built-in feature of the IC itself. $t_P = 15$ ms when the OSC pin is open (see Section 10.7.3).

The external microcontroller receives a fault signal with its interrupt pin (INT), and must be programmed to shut off any input signals to the IC within the predetermined OCP hold time, t_P .

10.7 Protection Functions

This section describes the various protection circuits provided in the SX6812xM series, such as those designed to detect a voltage drop across power supplies, an overcurrent condition, an abnormal motor state, and so on.

10.7.1 VREG Pin Undervoltage Lockout (UVLO_VREG)

When the VREG pin voltage decreases to $V_{UVRL} = 3.6$ V or less, the VREG pin undervoltage lockout (UVLO_VREG) circuit gets activated and turns off the high- and low-side power MOSFETs. When the VREG pin voltage increases to $V_{UVRH} = 4.0$ V or more, the IC releases the UVLO_VREG operation. Then, the high- and low-side power MOSFETs resume operating according to position sensing signals. During the UVLO_VREG operation, the FO pin becomes logic high and transmits fault signals.

10.7.2 Undervoltage Lockout for Power Supplies (UVLO)

In case the gate-driving voltages of the output transistors decrease, their steady-state power dissipations increase. This overheating condition may cause permanent damage to the IC in the worst case. To prevent this event, the SX6812xM series has the undervoltage lockout (UVLO) circuits for each of the high-side (the VBx pin) and the low-side (the VCC1 pin) power supplies.

10.7.2.1. VBx Pin (UVLO_VB)

When the voltage between the VBx and output (U, V1/V2, or W1/W2) pins (VBx-HSx) decreases to $V_{BS(OFF)} = 10.0$ V or less, the UVLO_VB circuit gets activated and turns off the high-side power MOSFETs. When the voltage between the VBx and output pins increases to $V_{BS(ON)} = 10.5$ V or more, the IC releases the UVLO_VB operation. Then, the high-side power MOSFETs resume operating according to position sensing signals.

10.7.2.2. VCC1 Pin (UVLO_VCC)

When the VCC1 pin voltage decreases to $V_{CC(OFF)} = 11.0$ V or less, the UVLO_VCC circuit gets activated and turns off the high- and low-side power MOSFETs. When the VCC1 pin voltage increases to $V_{CC(ON)} = 11.5$ V or more, the IC releases the UVLO_VCC operation. Then, the high- and low-side power MOSFETs resume operating according to position sensing signals.

10.7.3 Overcurrent Limit (OCL) and Overcurrent Protection (OCP)

The IC has two different protections against overcurrent conditions: the overcurrent limit (OCL) and the overcurrent protection (OCP).

Figure 10-20 is an internal circuit diagram describing the OCP pin and its peripheral circuit. The OCP pin detects overcurrents with voltage across an external shunt resistor, R_S . Because the OCP pin is internally pulled up, the OCP pin voltage increases proportionally to a rise in the current running through the shunt resistor, R_S .

Note that overcurrents are undetectable when one or more of the U, V1/V2, and W1/W2 pins or their traces are shorted to ground (ground fault). In case any of these pins falls into a state of ground fault, the output transistors may be destroyed.

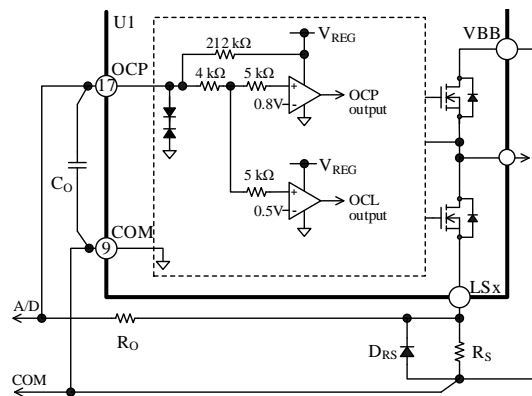


Figure 10-20. Internal Circuit Diagram of OCP Pin

and Its Peripheral Circuit

The overcurrent limit (OCL) is a protection against relatively low overcurrent conditions. When the OCP pin voltage increases to $V_{LIM} = 0.50\text{ V}$ or more, and remains in this condition for a period of a blanking time ($t_{BK(OCL)} = 1.9\ \mu\text{s}$ when $OSCR = \text{open}$) or longer, the IC turns off the high- and low-side power MOSFETs. The OCL operation is automatically released at each PWM cycle.

The overcurrent protection (OCP) is a protection against large inrush currents. When the OCP pin voltage increases to $V_{TRIP} = 0.8\text{ V}$ or more, and remains in this condition for a period of a blanking time ($t_{BK(OCP)} = 1.3\ \mu\text{s}$ when $OSCR = \text{open}$) or longer, the OCP circuit is activated. Then, the high- and low-side power MOSFETs are turned off for a certain period of time ($t_P = 15\text{ ms}$ when $OSCR = \text{open}$). After that, the high- and low-side power MOSFETs resume operating according to position sensing signals. During the OCP operation, the FO pin goes logic high and sends fault signals.

The OCL and OCP are used for detecting abnormal conditions, such as an output transistor shorted. In case short-circuit conditions occur repeatedly, the output transistors can be destroyed. For this reason, motor operations must be controlled by the external microcontroller so that it can immediately stop the motor when fault signals are detected. If you need to resume the IC operation thereafter, set the IC to be resumed after a lapse of ≥ 2 seconds.

For proper shunt resistor setting, your application must meet the following:

- Use the shunt resistor that has a recommended resistance, R_S (see Section 2).
- Set the OCP pin input voltage to vary within the rated input voltages, $V_{IN(2)}$ (see Section 1).
- Keep the current through the output transistors below the rated output current (pulse), I_{OP} (see Section 1).

It is required to use a resistor with low internal inductance because high-frequency switching current will flow through the shunt resistors, R_S . In addition, choose a resistor with allowable power dissipation according to your application.

10.7.4 Thermal Shutdown (TSD)

The SX6812xM series incorporates the thermal shutdown (TSD) circuit. In case of overheating (e.g., increased power dissipation due to overload, or elevated ambient temperature at the device), the IC shuts down the high- and low-side power MOSFETs.

The TSD circuit in the MIC for gate driver monitors temperatures (see Figure 5-1). When the junction temperature of the MIC for gate driver, $T_{J(DRV)}$, exceeds

$T_{DH} = 130\text{ }^\circ\text{C}$, the TSD circuit is activated. When $T_{J(DRV)}$ decreases to $T_{DL} = 90\text{ }^\circ\text{C}$ or less, the shutdown condition is released. The output transistors then resume operating according to input signals. During the TSD operation, the FO pin becomes logic high and transmits fault signals. Note that junction temperatures of the output transistors themselves are not monitored; therefore, do not use the TSD function as an overtemperature prevention for the output transistors.

10.7.5 Motor Lock Protection (MLP)

When the state in which a position sensing signal stays unchanged within a rotation of 60° electrical angle persists for a motor lock hold time ($t_{LD} = 6\text{ s}$ when $OSCR = \text{open}$) or longer, the motor lock protection (MLP) circuit gets activated.

Then, the high- and low-side power MOSFETs are turned off for a certain period of time ($t_{LH} = 35\text{ s}$ when $OSCR = \text{open}$). After that, the high- and low-side power MOSFETs resume operating according to position sensing signals.

During the MLP operation, the FO pin becomes logic high and transmits fault signals. Moreover, direct currents through the power MOSFETs cause an increase in the junction temperatures of the power MOSFETs. Therefore, care must be taken not to allow the junction temperatures to exceed the absolute maximum rating.

10.7.6 Reverse Rotation Detection

In case the motor rotates in a direction opposite to the preset direction, the reverse rotation detection function gets activated and puts the FO pin into a high state (i.e., a fault signal output). When the motor rotates in the preset direction, the FO pin is in a low state. When the IC detects a reverse rotation state during motor rotations, the motor driving system is immediately switched to the trapezoidal control before a rotation of 60° electrical angle completes.

Table 10-5. Motor Driving Controls during Reverse Rotation

| CW/CCW Pin State | Motor Direction | Driving System |
|------------------|-----------------|----------------|
| L (Reverse) | Forward | Trapezoidal |
| | Reverse | Sinusoidal |
| H (Forward) | Forward | Sinusoidal |
| | Reverse | Trapezoidal |

10.7.7 Hall Signal Abnormality Detection

As Figure 10-21 shows, signals from the external Hall elements are input into the corresponding comparators. The IC then receives the comparator outputs as the motor positional information, i.e., position sensing signals.

When all the position sensing signals (HU, HV, HW) are either in a high or low state, the Hall signal abnormality detection function gets activated and turns off the high- and low-side power MOSFETs. When the IC detects input states other than those above, each of the high- and low-side power MOSFETs responds in accordance with the input logic levels of the position sensing signals. For the truth tables for the position sensing signals and the output transistors, see Table 10-3 and Table 10-4. While the function is being enabled, the FO pin becomes logic high and sends fault signals.

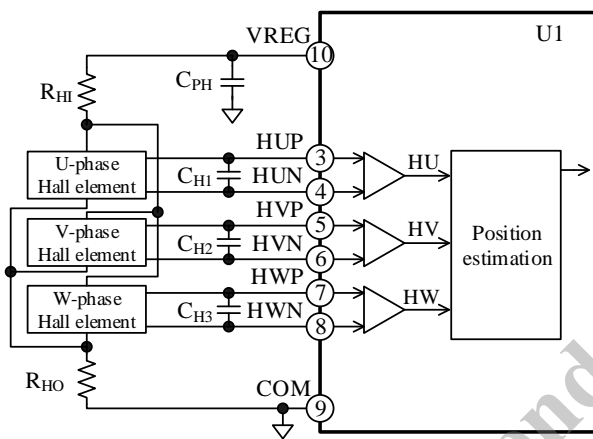


Figure 10-21. Internal Circuit Diagram of HxP and HxN Pins and Their Peripheral Circuit

11. Design Notes

11.1 PCB Pattern Layout

Figure 11-1 shows a schematic diagram of a motor drive circuit. The circuit consists of current paths having high frequencies and high voltages, which also bring about negative influences on IC operation, noise interference, and power dissipation. Therefore, PCB trace layouts and component placements play an important role in circuit designing.

Current loops, which have high frequencies and high voltages, should be as small and wide as possible, in order to maintain a low-impedance state. In addition, ground traces should be as wide and short as possible so that radiated EMI levels can be reduced.

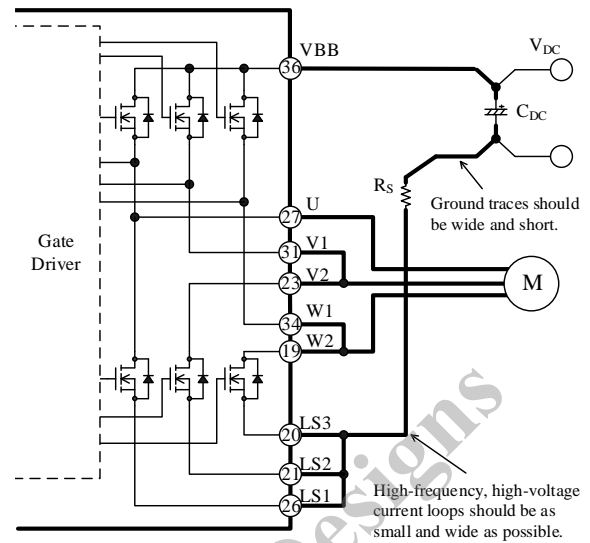


Figure 11-1. High-frequency, High-voltage Current Paths

11.2 Considerations in IC Characteristics Measurement

When measuring the leakage current of the output transistors (power MOSFETs) incorporated in the IC, note that all of the output (U, V1, V2, W1, W2), LSx, and COM pins must be appropriately connected. Otherwise, the output transistors may result in permanent damage. Also note that the gate and source of each output transistor should have the same potential during the leakage current measurement. Moreover, care should be taken during the measurement because each output transistor is connected as follows:

- All the high-side drains are internally connected to the VBB pin.
- In the U-phase, the high-side source and the low-side drain are internally connected to the U pin. (In the V- and W-phases, the high- and low-side transistors are unconnected inside the IC.)
- The high-side gates are internally pulled down to the output pins.
- The low-side gates are internally pulled down to the COM pin.

The following are circuit diagrams representing typical measurement circuits for leakage current: Figure 11-2 shows the high-side transistor (Q_{IH}) in the U-phase; Figure 11-3 shows the low-side transistor (Q_{IL}) in the U-phase. And all the pins that are not represented in these figures are open. When measuring the high-side transistors, leave all the non-measuring pins open. When measuring the low-side transistors, connect only the measuring LSx pin to the COM pin and leave the other pins open.

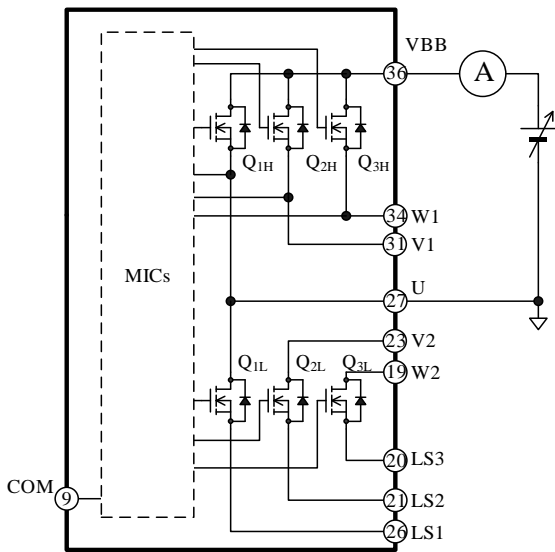


Figure 11-2. Typical Measurement Circuit for High-side Transistor (Q_{1H}) in U-phase

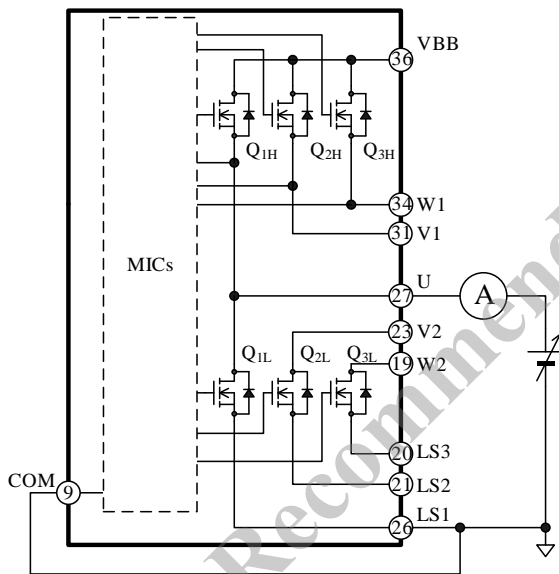


Figure 11-3. Typical Measurement Circuit for Low-side Transistor (Q_{1L}) in U-phase

12. Calculating Power Losses and Estimating Junction Temperature

This section describes the procedures to calculate power losses in output transistors (power MOSFETs), and to estimate a junction temperature. Note that the descriptions listed here are applicable to the IC, which is controlled by a 3-phase sine-wave PWM driving strategy. For quick and easy references, we offer calculation support tools online. Please visit our website to find out more.

- DT0050: SX6812xM Series Calculation Tool http://www.semicon.sanken-ele.co.jp/en/calc-tool/mosfet_caltool_en.html

Total power loss in a power MOSFET can be obtained by taking the sum of the following losses: steady-state loss, P_{RON}; switching loss, P_{SW}; the steady-state loss of a body diode, P_{SD}. In the calculation procedure we offer, the recovery loss of a body diode, P_{RR}, is considered negligibly small compared with the ratios of other losses.

The following subsections contain the mathematical procedures to calculate these losses (P_{RON}, P_{SW}, and P_{SD}) and the junction temperature of all power MOSFETs operating.

12.1 Power MOSFET Steady-state Loss, P_{RON}

Steady-state loss in a power MOSFET can be computed by using the R_{DS(ON)} vs. I_D curves, listed in Section 13.3.1. As expressed by the curves in Figure 12-1, a linear approximation at a range the I_D is actually used is obtained by: R_{DS(ON)} = α × I_D + β.

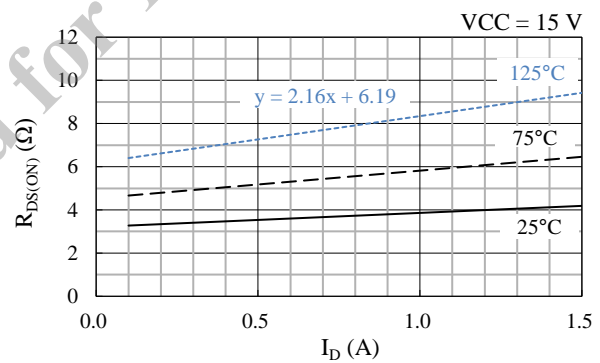


Figure 12-1. Linear Approximate Equation of R_{DS(ON)} vs. I_D Curve

The values gained by the above calculation are then applied as parameters in Equation (4), below. Hence, the equation to obtain the power MOSFET steady-state loss, P_{RON}, is:

$$\begin{aligned}
 P_{RON} &= \frac{1}{2\pi} \int_0^\pi I_D(\varphi)^2 \times R_{DS(ON)}(\varphi) \times DT \times d\varphi \\
 &= 2\sqrt{2}\alpha \left(\frac{1}{3\pi} + \frac{3}{32} M \times \cos\theta \right) I_M^3 \\
 &\quad + 2\beta \left(\frac{1}{8} + \frac{1}{3\pi} M \times \cos\theta \right) I_M^2. \quad (4)
 \end{aligned}$$

Where:

I_D is the drain current of the power MOSFET (A),

R_{DS(ON)} is the drain-to-source on-resistance of the

power MOSFET (Ω),
DT is the duty cycle, which is given by

$$DT = \frac{1 + M \times \sin(\varphi + \theta)}{2},$$

M is the modulation index (0 to 1),
 $\cos\theta$ is the motor power factor (0 to 1),
 I_M is the effective motor current (A),
 α is the slope of the linear approximation in the $R_{DS(ON)}$ vs. I_D curve, and
 β is the intercept of the linear approximation in the $R_{DS(ON)}$ vs. I_D curve.

12.2 Power MOSFET Switching Loss, P_{sw}

Switching loss in a power MOSFET can be calculated by Equation (5), letting I_M be the effective current value of the motor:

$$P_{SW} = \frac{\sqrt{2}}{\pi} \times f_C \times \alpha_E \times I_M \times \frac{V_{DC}}{300}. \quad (5)$$

Where:

f_C is the PWM carrier frequency (Hz),
 V_{DC} is the main power supply voltage (V), i.e., the VBB pin input voltage, and
 α_E is the slope on the switching loss curve (see Section 13.3.2).

12.3 Body Diode Steady-state Loss, P_{SD}

Steady-state loss in the body diode of a power MOSFET can be computed by using the V_{SD} vs. I_{SD} curves, listed in Section 13.3.1. As expressed by the curves in Figure 12-2, a linear approximation at a range the I_{SD} is actually used is obtained by: $V_{SD} = \alpha \times I_{SD} + \beta$.

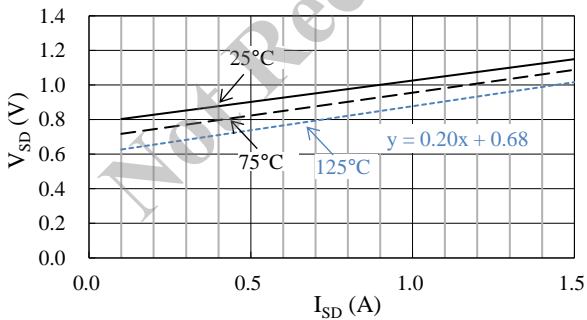


Figure 12-2. Linear Approximate Equation of V_{SD} vs. I_{SD} Curve

The values gained by the above calculation are then applied as parameters in Equation (6), below. Hence, the equation to obtain the body diode steady-state loss, P_{SD} , is:

$$P_{SD} = \frac{1}{2\pi} \int_0^\pi V_{SD}(\varphi) \times I_{SD}(\varphi) \times (1 - DT) \times d\varphi$$

$$= \frac{1}{2} \alpha \left(\frac{1}{2} - \frac{4}{3\pi} M \times \cos\theta \right) I_M^2 + \frac{\sqrt{2}}{\pi} \beta \left(\frac{1}{2} - \frac{\pi}{8} M \times \cos\theta \right) I_M. \quad (6)$$

Where:

V_{SD} is the source-to-drain diode forward voltage of the power MOSFET (V),
 I_{SD} is the source-to-drain diode forward current of the power MOSFET (A),
DT is the duty cycle, which is given by

$$DT = \frac{1 + M \times \sin(\varphi + \theta)}{2},$$

M is the modulation index (0 to 1),
 $\cos\theta$ is the motor power factor (0 to 1),
 I_M is the effective motor current (A),
 α is the slope of the linear approximation in the V_{SD} vs. I_{SD} curve, and
 β is the intercept of the linear approximation in the V_{SD} vs. I_{SD} curve.

12.4 Estimating Junction Temperature of Power MOSFET

The junction temperature of all power MOSFETs operating, T_J , can be estimated with Equation (7):

$$T_J = R_{J-C} \times \{(P_{RON} + P_{SW} + P_{SD}) \times 6\} + T_C. \quad (7)$$

Where:

R_{J-C} is the junction-to-case thermal resistance ($^{\circ}C/W$) of all the power MOSFETs operating, and
 T_C is the case temperature ($^{\circ}C$), measured at the point defined in Figure 3-2.

13. Performance Curves

13.1 Transient Thermal Resistance Curves

The following graph represents transient thermal resistance (the ratios of transient thermal resistance), with steady-state thermal resistance = 1.

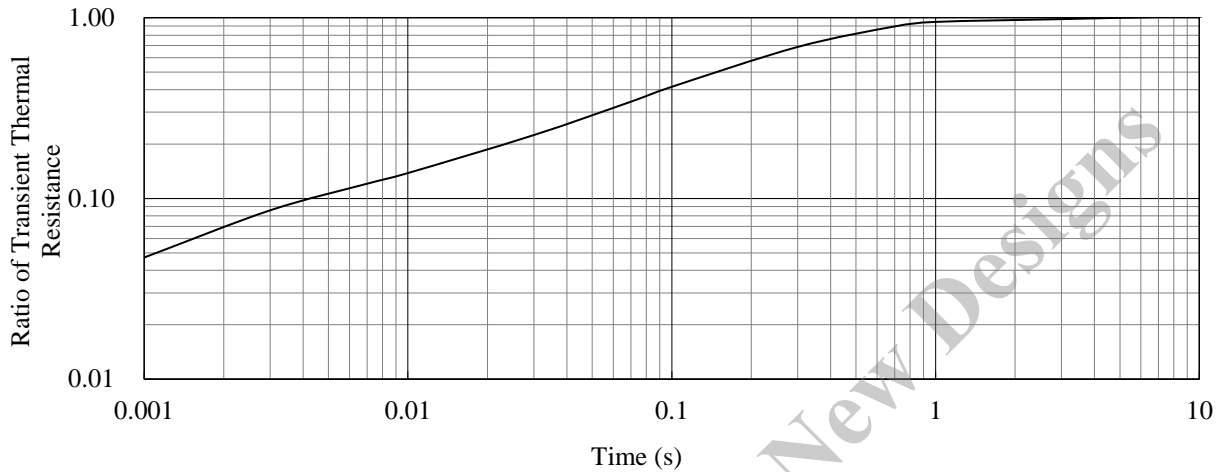


Figure 13-1. Transient Thermal Resistance: SX68126M / SX68127M

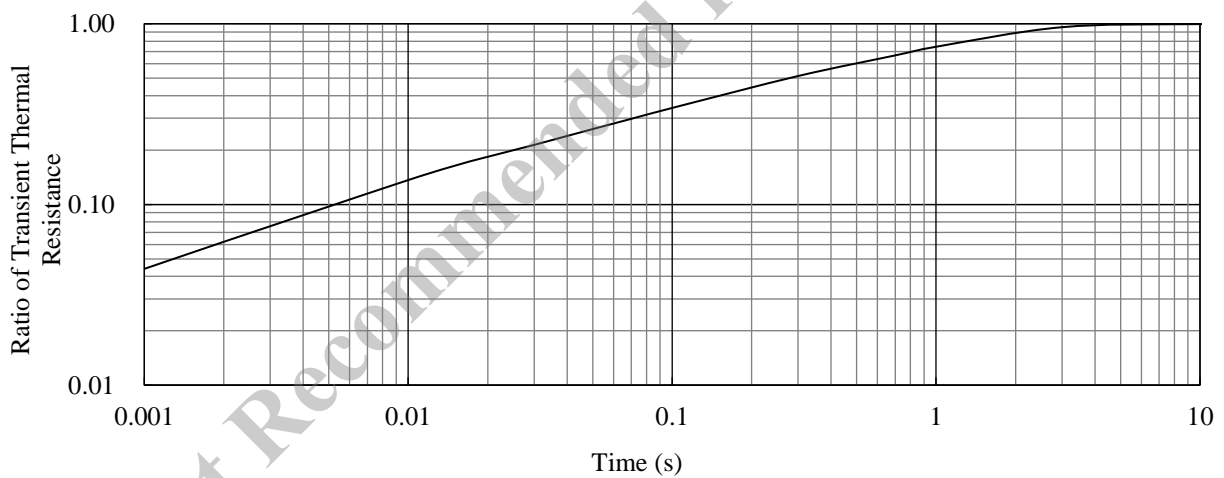


Figure 13-2. Transient Thermal Resistance: SX68128M

13.2 Performance Curves of Control Parts

Figure 13-5 to Figure 13-23 provide performance curves of the control parts integrated in the SX6812xM series, including variety-dependent characteristics and thermal characteristics. T_J represents the junction temperature of the control parts.

Table 13-1. Typical Characteristics of Control Parts

| Figure Number | Figure Caption |
|---------------|---|
| Figure 13-3 | Logic Supply Current in 1-phase Operation ($V_{SP} = 0\text{ V}$), I_{BS} vs. T_C |
| Figure 13-4 | Logic Supply Current in 1-phase Operation ($V_{SP} = 5.4\text{ V}$), I_{BS} vs. T_C |
| Figure 13-5 | Logic Supply Current, I_{CC} vs. T_C |
| Figure 13-6 | Logic Operation Start Voltage, $V_{BS(ON)}$ vs. T_C |
| Figure 13-7 | Logic Operation Stop Voltage, $V_{BS(OFF)}$ vs. T_C |
| Figure 13-8 | Logic Operation Start Voltage, $V_{CC(ON)}$ vs. T_C |
| Figure 13-9 | Logic Operation Stop Voltage, $V_{CC(OFF)}$ vs. T_C |
| Figure 13-10 | MLP Pin High Level Input Current, I_{IH1_MLP} vs. T_C |
| Figure 13-11 | CW/CCW Pin High Level Input Current, $I_{IH1_CW/CCW}$ vs. T_C |
| Figure 13-12 | LA Pin High Level Input Current, I_{IH1_LA} vs. T_C |
| Figure 13-13 | VSP Pin High Level Input Current, I_{IH1_VSP} vs. T_C |
| Figure 13-14 | OCP Pin High Level Input Current, I_{IH2_OCP} vs. T_C |
| Figure 13-15 | FG Pin High Level Output Voltage, V_{OH} vs. T_C |
| Figure 13-16 | FO Pin High Level Output Voltage, $V_{FO(H)}$ vs. T_C |
| Figure 13-17 | High Level Threshold Voltage (MLP or CW/CCW Pin), V_{IH} vs. T_C |
| Figure 13-18 | Low Level Output Voltage (MLP or CW/CCW Pin), V_{IL} vs. T_C |
| Figure 13-19 | UVLO_VB Filtering Time vs. T_C |
| Figure 13-20 | UVLO_VCC Filtering Time vs. T_C |
| Figure 13-21 | Current Limit Reference Voltage, V_{LIM} vs. T_C |
| Figure 13-22 | OCP Threshold Voltage, V_{TRIP} vs. T_C |
| Figure 13-23 | OCL Blanking Time, $t_{BK(OCL)}$ + Propagation Delay, t_D vs. T_C |
| Figure 13-24 | OCP Blanking Time, $t_{BK(OCP)}$ + Propagation Delay, t_D vs. T_C |
| Figure 13-25 | OCP Hold Time, t_P vs. T_C |
| Figure 13-26 | VREG Pin Voltage, V_{REG} vs. T_C |

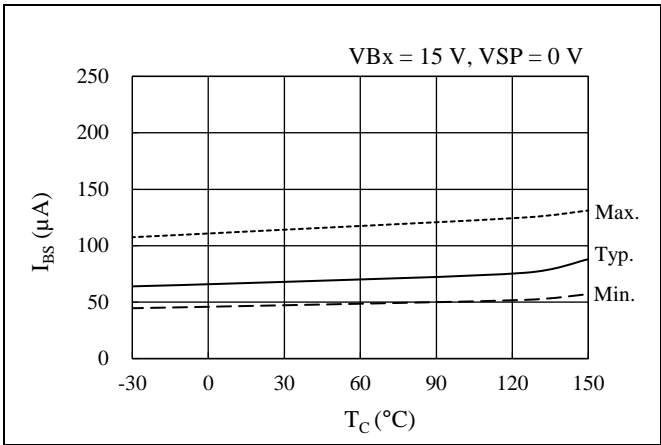


Figure 13-3. Logic Supply Current in 1-phase Operation ($V_{SP} = 0\text{ V}$), I_{BS} vs. T_C

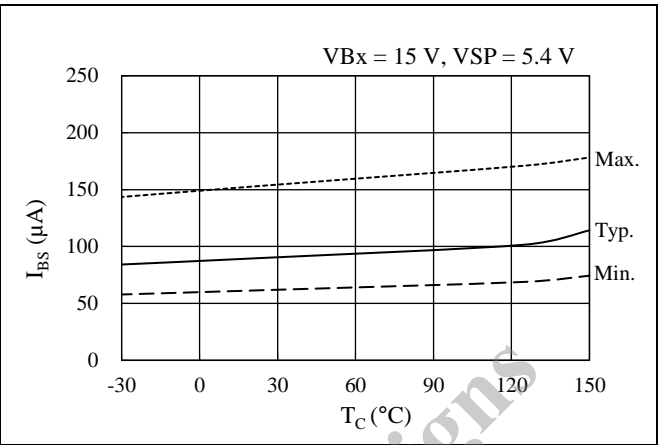


Figure 13-4. Logic Supply Current in 1-phase Operation ($V_{SP} = 5.4\text{ V}$), I_{BS} vs. T_C

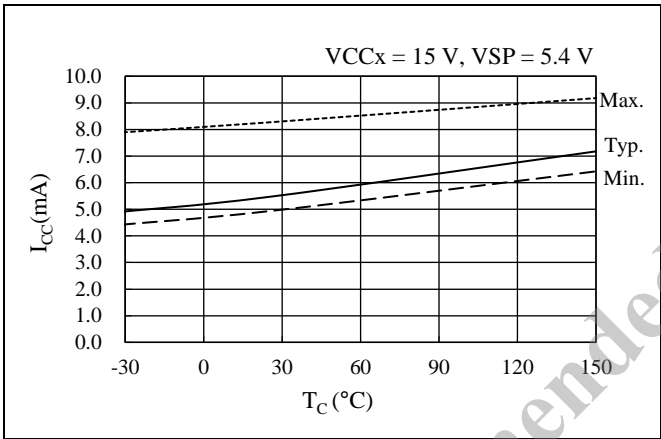


Figure 13-5. Logic Supply Current, I_{CC} vs. T_C

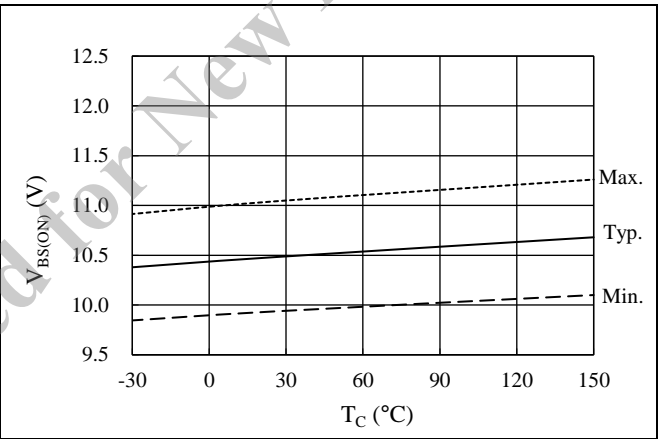


Figure 13-6. Logic Operation Start Voltage, $V_{BS(ON)}$ vs. T_C

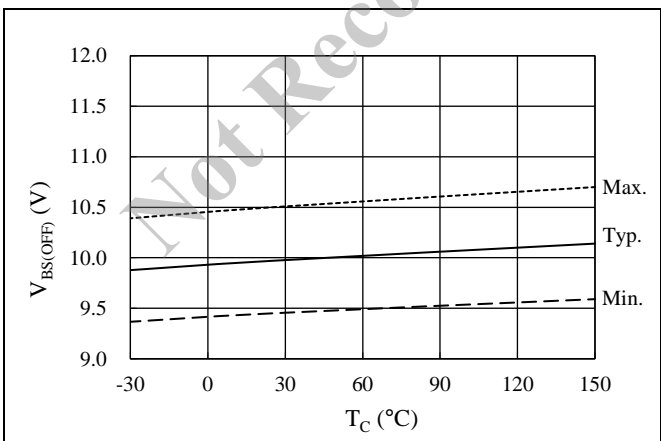


Figure 13-7. Logic Operation Stop Voltage, $V_{BS(OFF)}$ vs. T_C

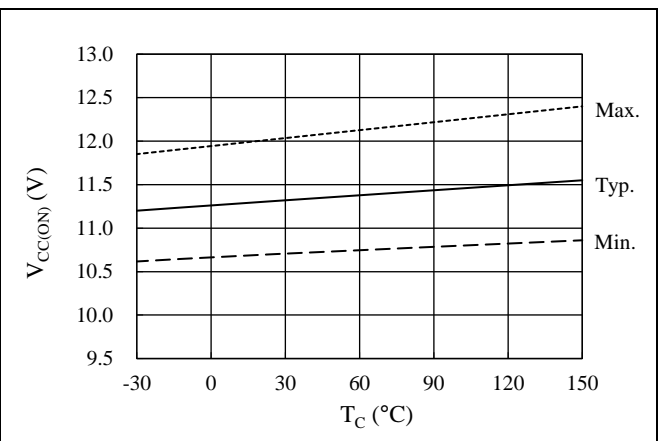


Figure 13-8. Logic Operation Start Voltage, $V_{CC(ON)}$ vs. T_C

SX6812xM Series

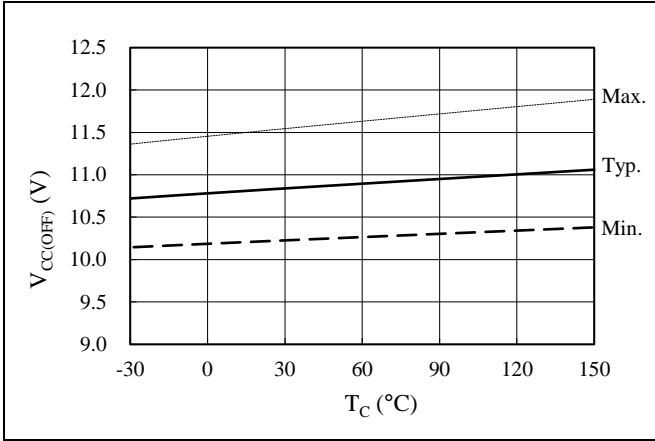


Figure 13-9. Logic Operation Stop Voltage, $V_{CC(OFF)}$ vs. T_c

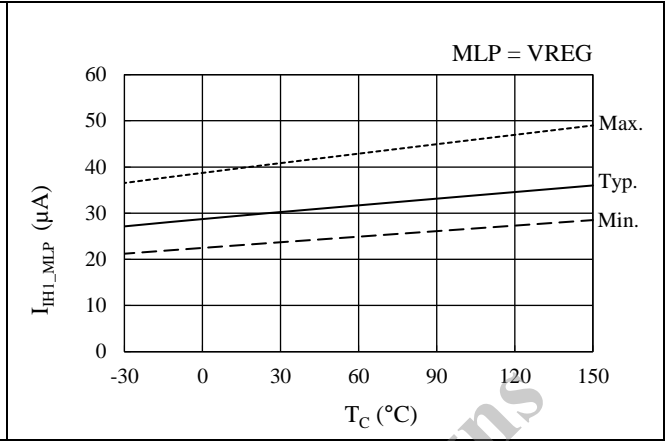


Figure 13-10. MLP Pin High Level Input Current, I_{IH1_MLP} vs. T_c

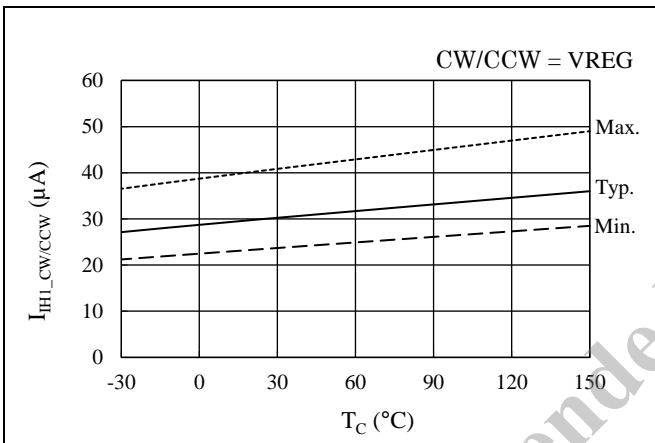


Figure 13-11. CW/CCW Pin High Level Input Current, $I_{IH1_CW/CCW}$ vs. T_c

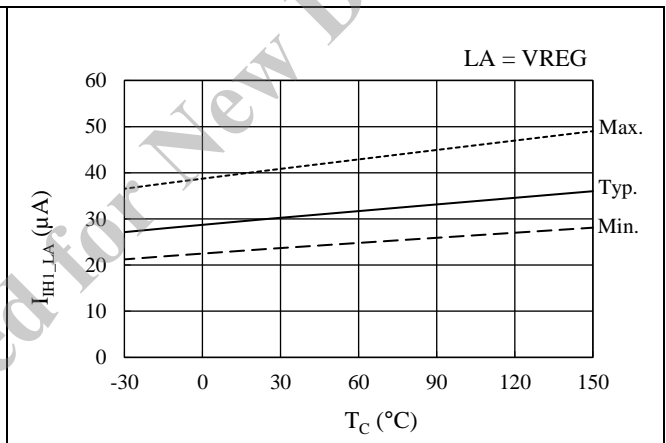


Figure 13-12. LA Pin High Level Input Current, I_{IH1_LA} vs. T_c

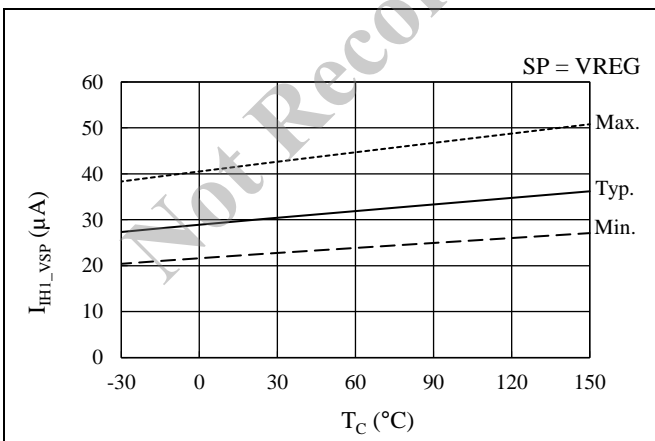


Figure 13-13. VSP Pin High Level Input Current, I_{IH1_VSP} vs. T_c

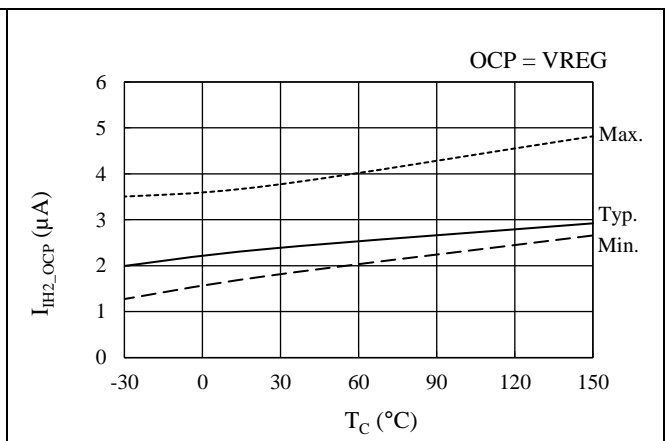


Figure 13-14. OCP Pin High Level Input Current, I_{IH2_OCP} vs. T_c

SX6812xM Series

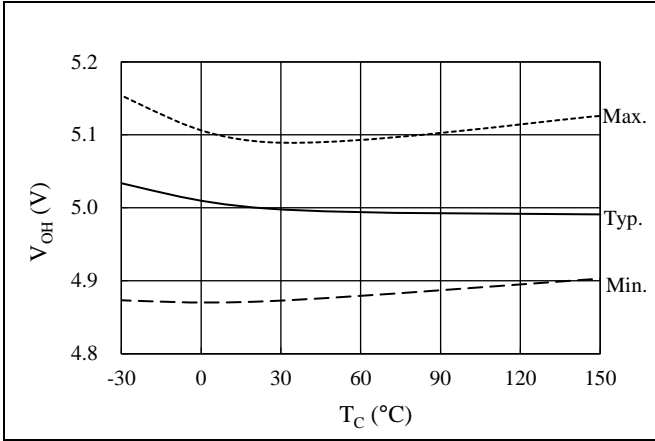


Figure 13-15. FG Pin High Level Output Voltage, V_{OH} vs. T_c

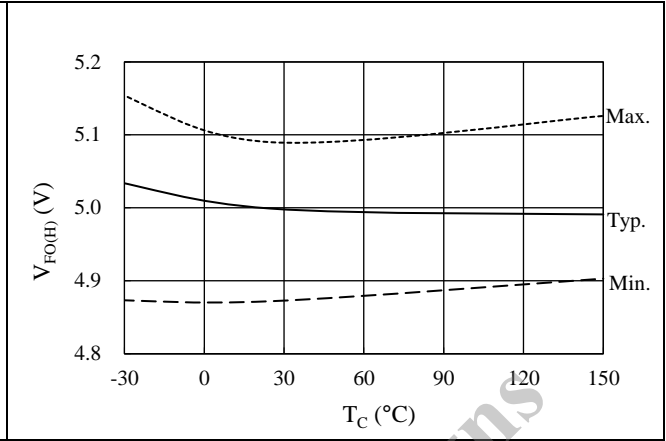


Figure 13-16. FO Pin High Level Output Voltage, $V_{FO(H)}$ vs. T_c

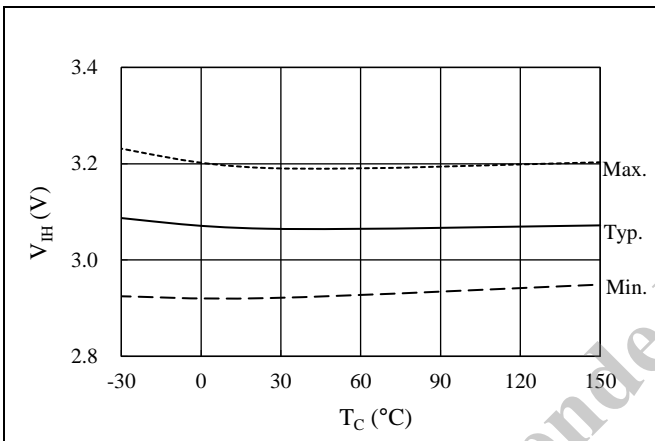


Figure 13-17. High Level Threshold Voltage (MLP or CW/CCW Pin), V_{IH} vs. T_c

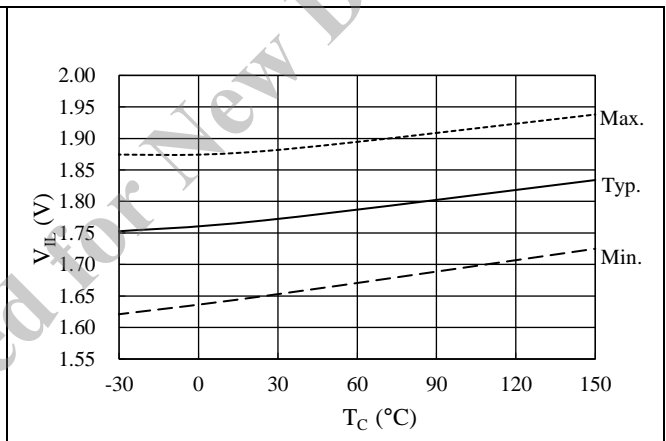


Figure 13-18. Low Level Threshold Voltage (MLP or CW/CCW Pin), V_{IL} vs. T_c

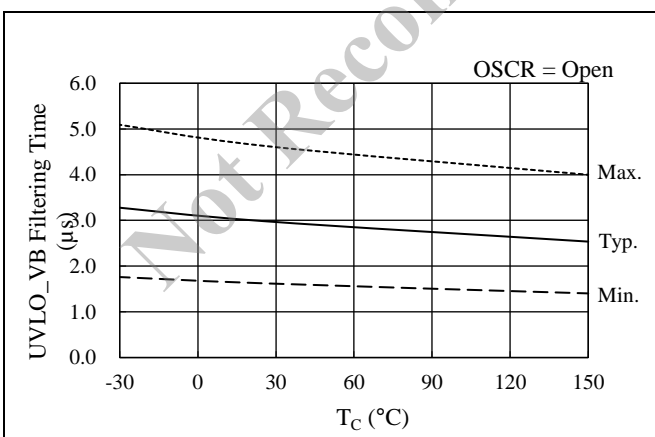


Figure 13-19. UVLO_VB Filtering Time vs. T_c

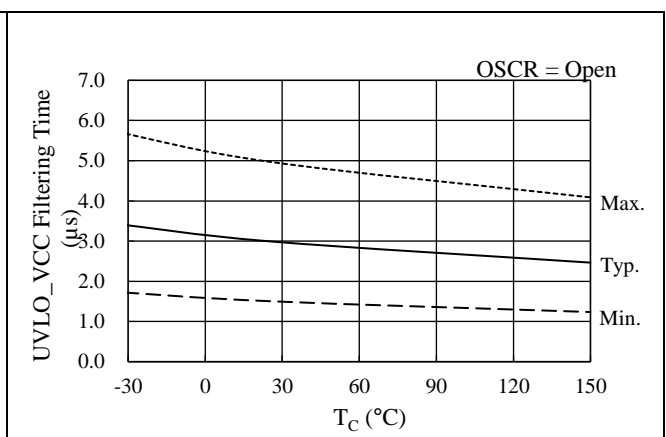


Figure 13-20. UVLO_VCC Filtering Time vs. T_c

SX6812xM Series

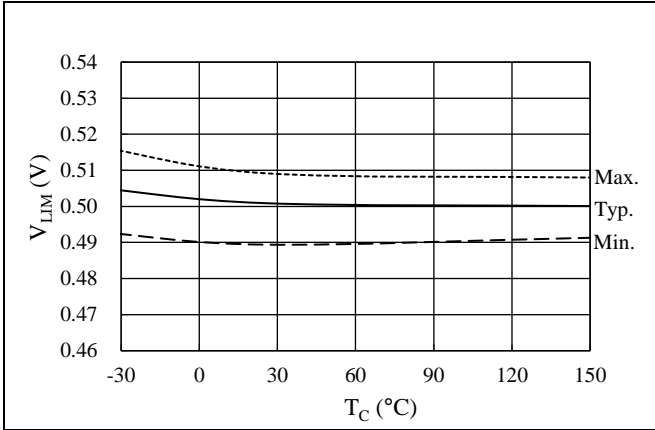


Figure 13-21. Current Limit Reference Voltage, V_{LIM} vs. T_C

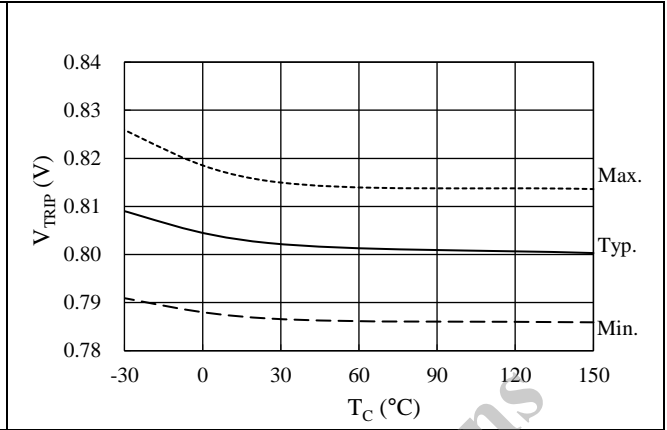


Figure 13-22. OCP Threshold Voltage, V_{TRIP} vs. T_C

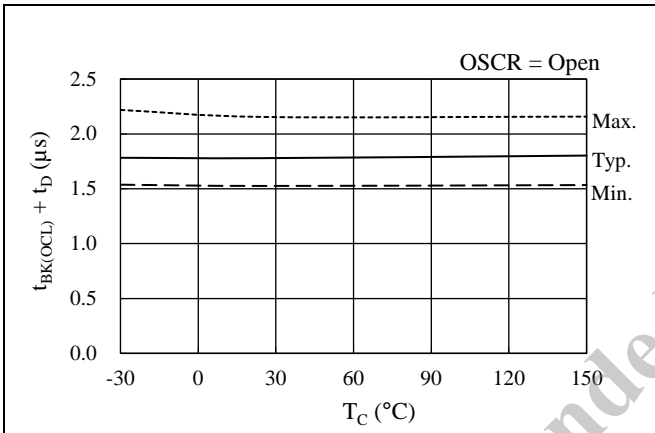


Figure 13-23. OCL Blanking Time, $t_{BK(OCL)} + t_D$ vs. T_C

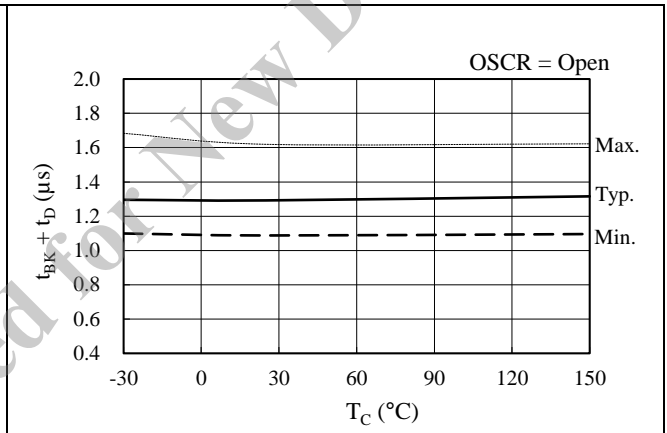


Figure 13-24. OCP Blanking Time, $t_{BK(OCP)} + t_D$ vs. T_C

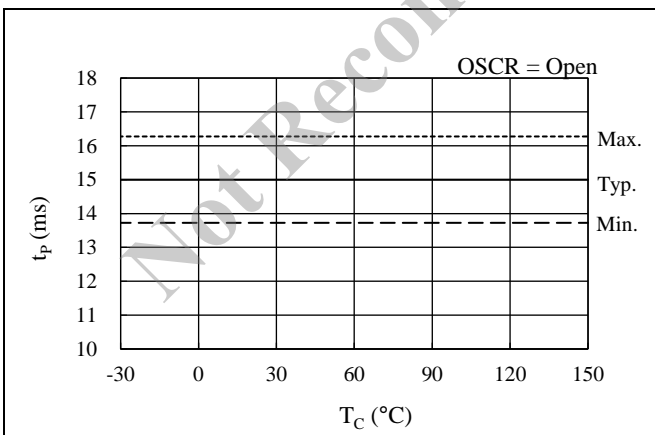


Figure 13-25. OCP Hold Time, t_P vs. T_C

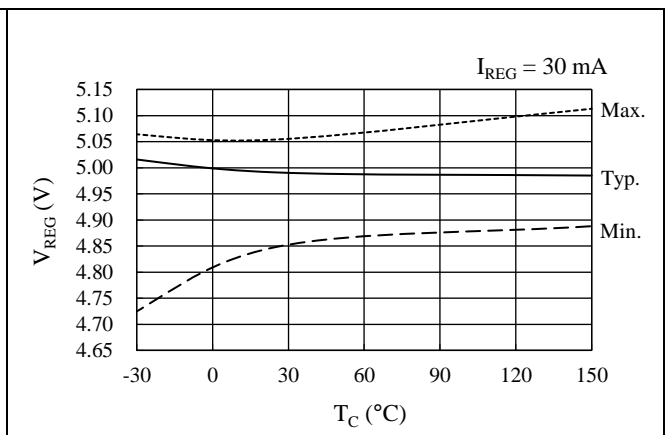


Figure 13-26. V_{REG} Pin Voltage, V_{REG} vs. T_C

13.3 Performance Curves of Output Parts

13.3.1 Output Transistor Performance Curves

13.3.1.1. SX68126M

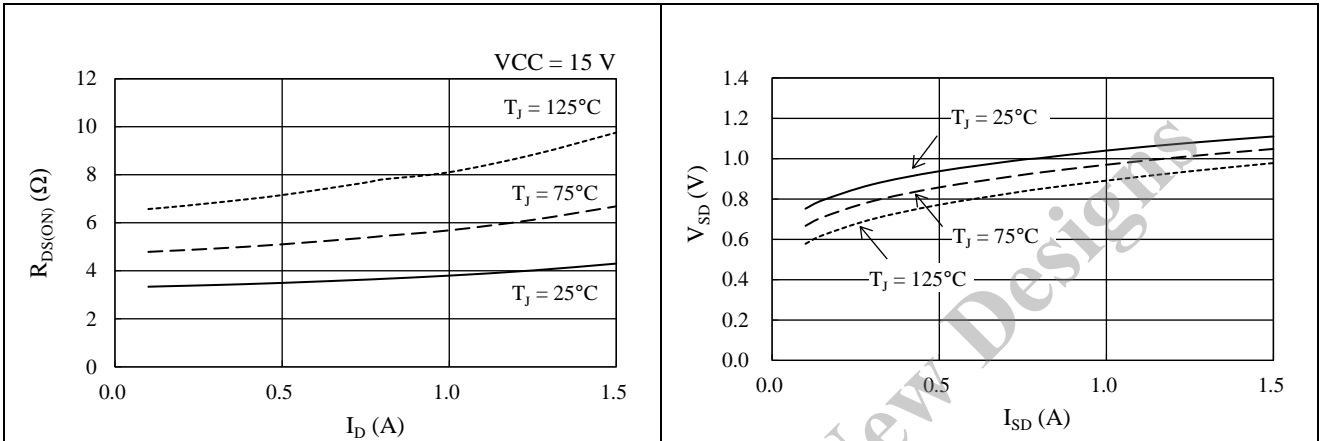


Figure 13-27. Power MOSFET $R_{DS(ON)}$ vs. I_D

Figure 13-28. Power MOSFET V_{SD} vs. I_{SD}

13.3.1.2. SX68127M

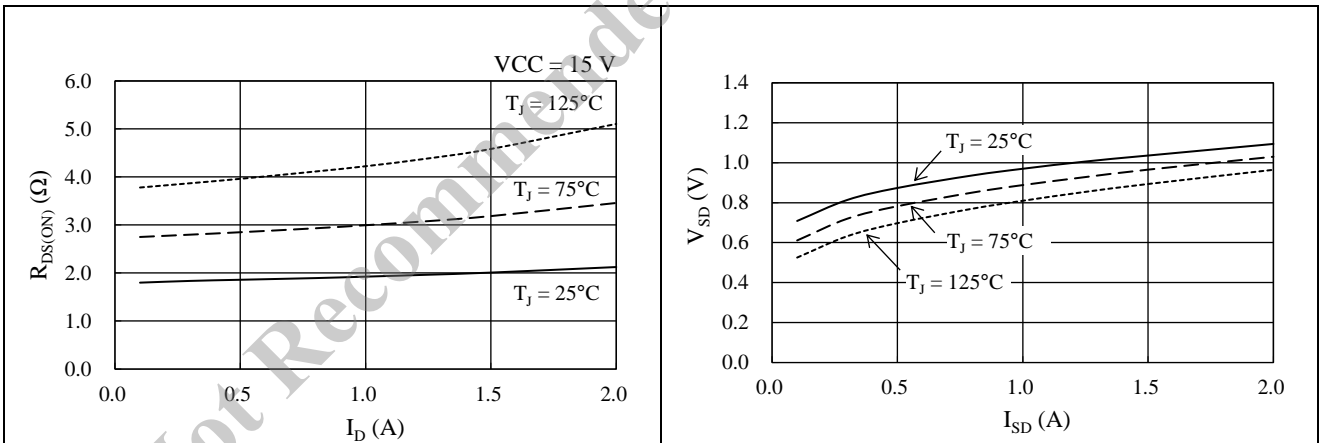


Figure 13-29. Power MOSFET $R_{DS(ON)}$ vs. I_D

Figure 13-30. Power MOSFET V_{SD} vs. I_{SD}

SX6812xM Series

13.3.1.3. SX68128M

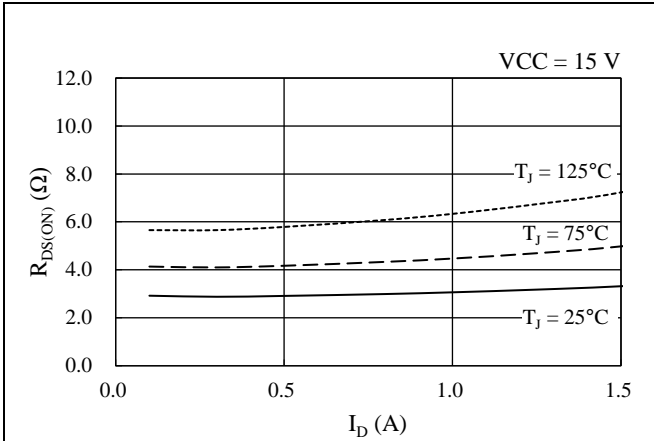


Figure 13-31. Power MOSFET $R_{DS(ON)}$ vs. I_D

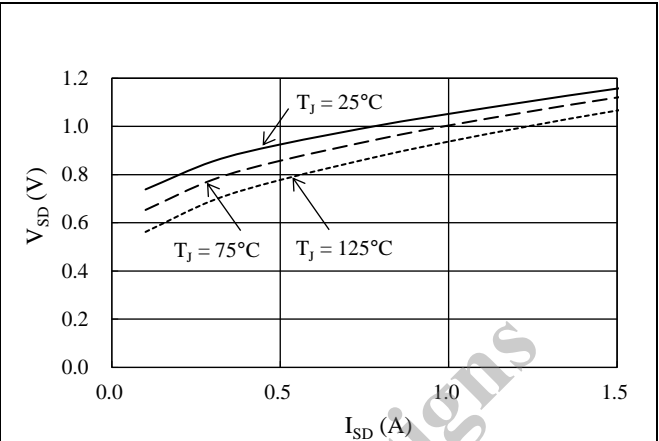


Figure 13-32. Power MOSFET V_{SD} vs. I_{SD}

13.3.2 Switching Loss Curves

Conditions: V_{BB} pin voltage = 300 V, half-bridge circuit with inductive load.
Switching Loss, E , is the sum of turn-on loss and turn-off loss.

13.3.2.1. SX68126M

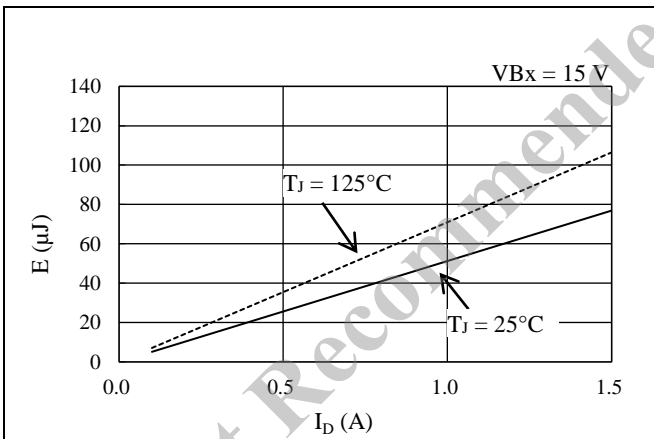


Figure 13-33. High-side Switching Loss

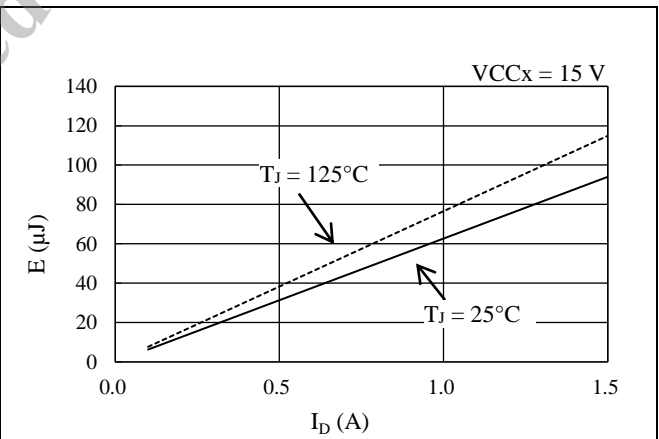


Figure 13-34. Low-side Switching Loss

SX6812xM Series

13.3.2.2. SX68127M

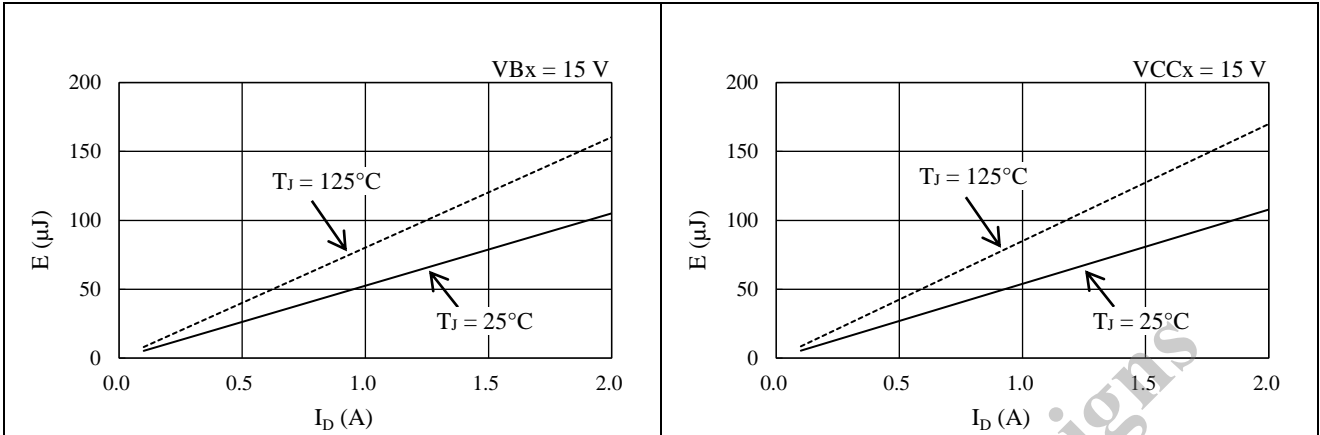


Figure 13-35. High-side Switching Loss

Figure 13-36. Low-side Switching Loss

13.3.2.3. SX68128M

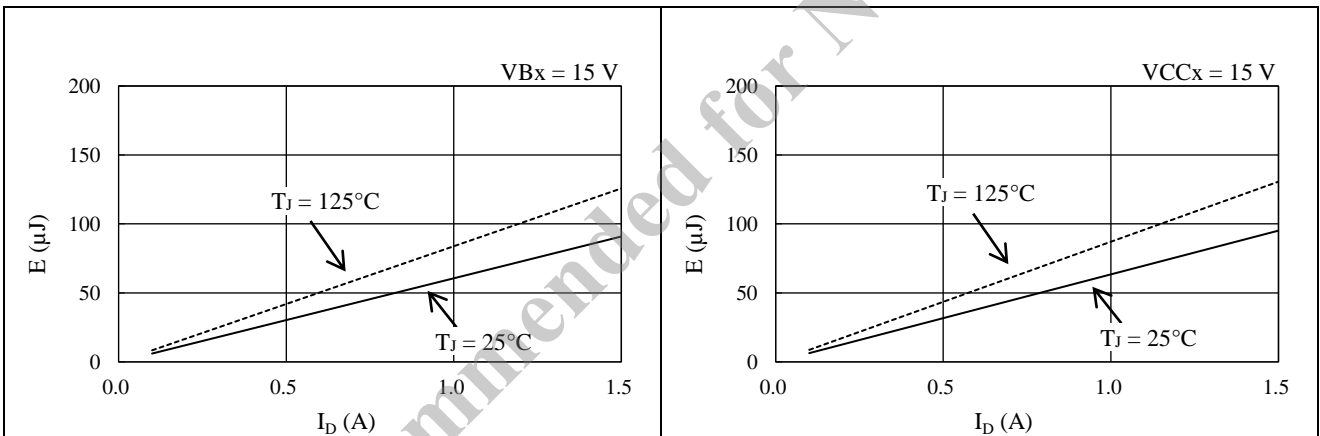


Figure 13-37. High-side Switching Loss

Figure 13-38. Low-side Switching Loss

13.4 Allowable Effective Current Curves

The following curves represent allowable effective currents in 3-phase sine-wave PWM driving with parameters such as typical $R_{DS(ON)}$ or $V_{CE(SAT)}$, and typical switching losses.

Operating conditions: VBB pin input voltage, $V_{DC} = 300$ V; VCCx pin input voltage, $V_{CC} = 15$ V; modulation index, $M = 0.9$; motor power factor, $\cos\theta = 0.8$; junction temperature, $T_J = 150$ °C.

13.4.1 SX68126M

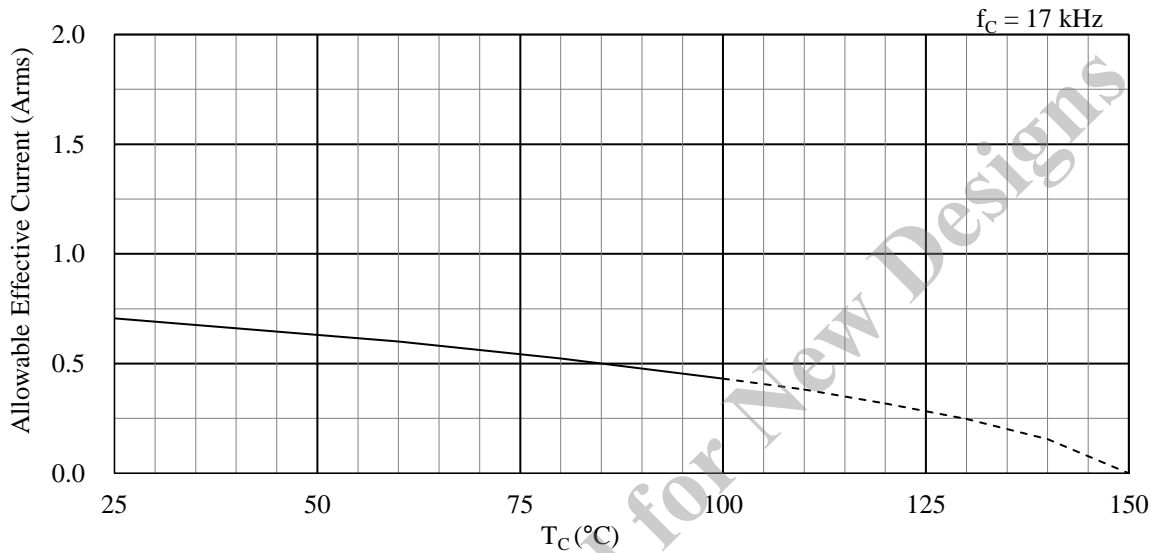


Figure 13-39. Allowable Effective Current ($f_c = 17$ kHz): SX68126M

13.4.2 SX68127M

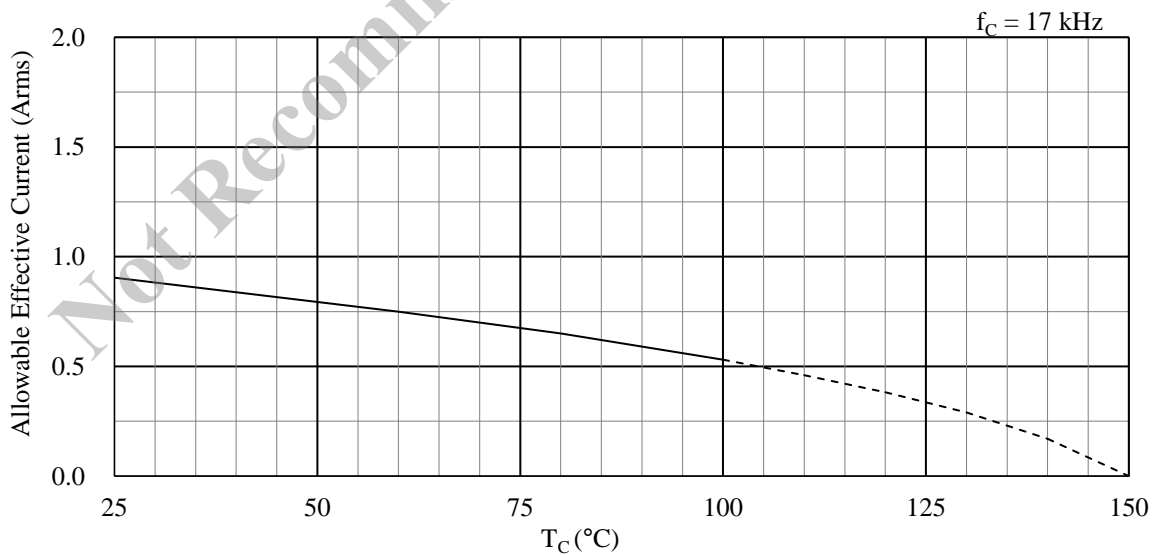


Figure 13-40. Allowable Effective Current ($f_c = 17$ kHz): SX68127M

13.4.3 SX68128M

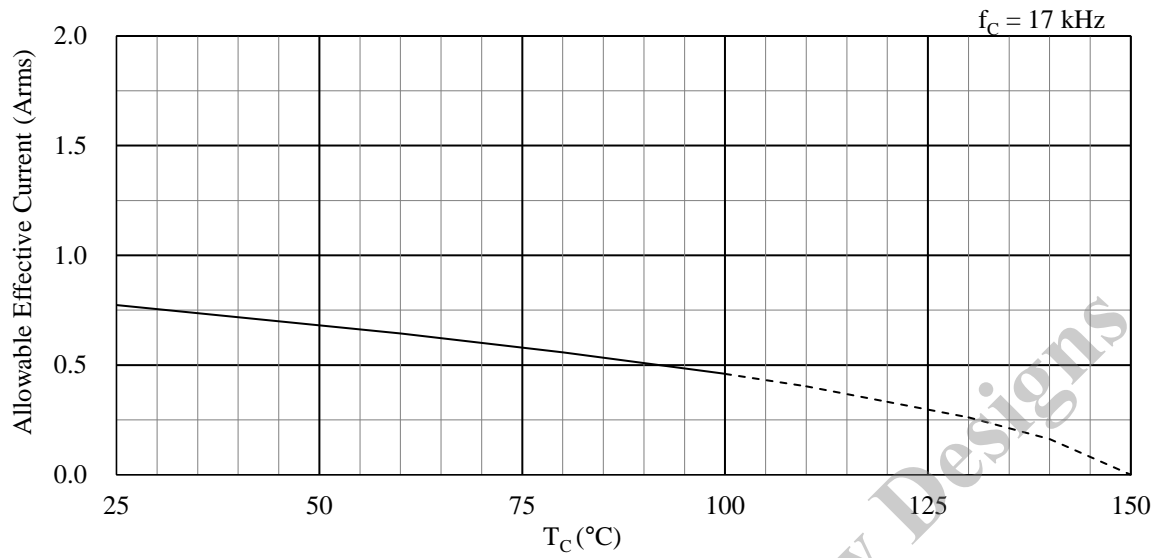
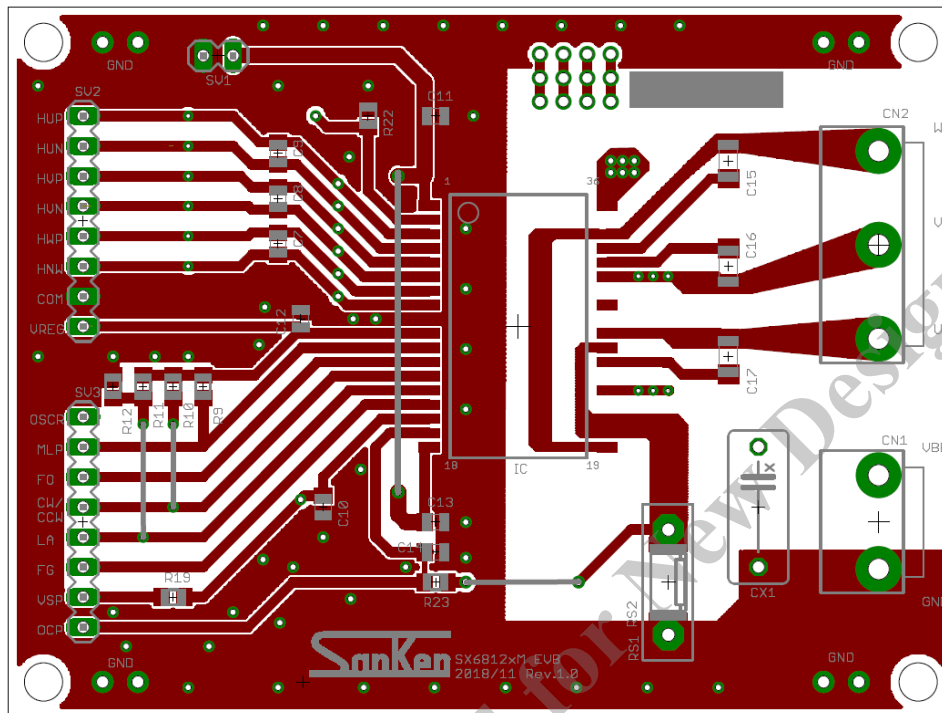


Figure 13-41. Allowable Effective Current (f_C = 17 kHz): SX68128M

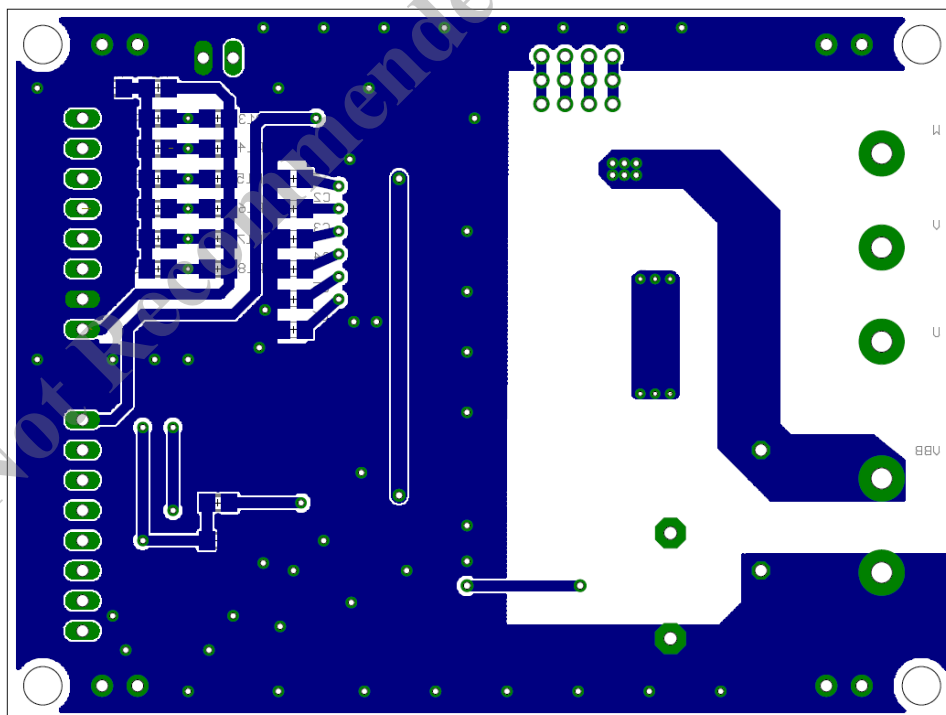
Not Recommended for New Designs

14. Pattern Layout Example

This section contains the schematic diagrams of a PCB pattern layout example using an SX6812xM series device. For details on the land pattern example of the IC, see Section 8.



(Top View)



(Bottom View)

Figure 14-1. Pattern Layout Example

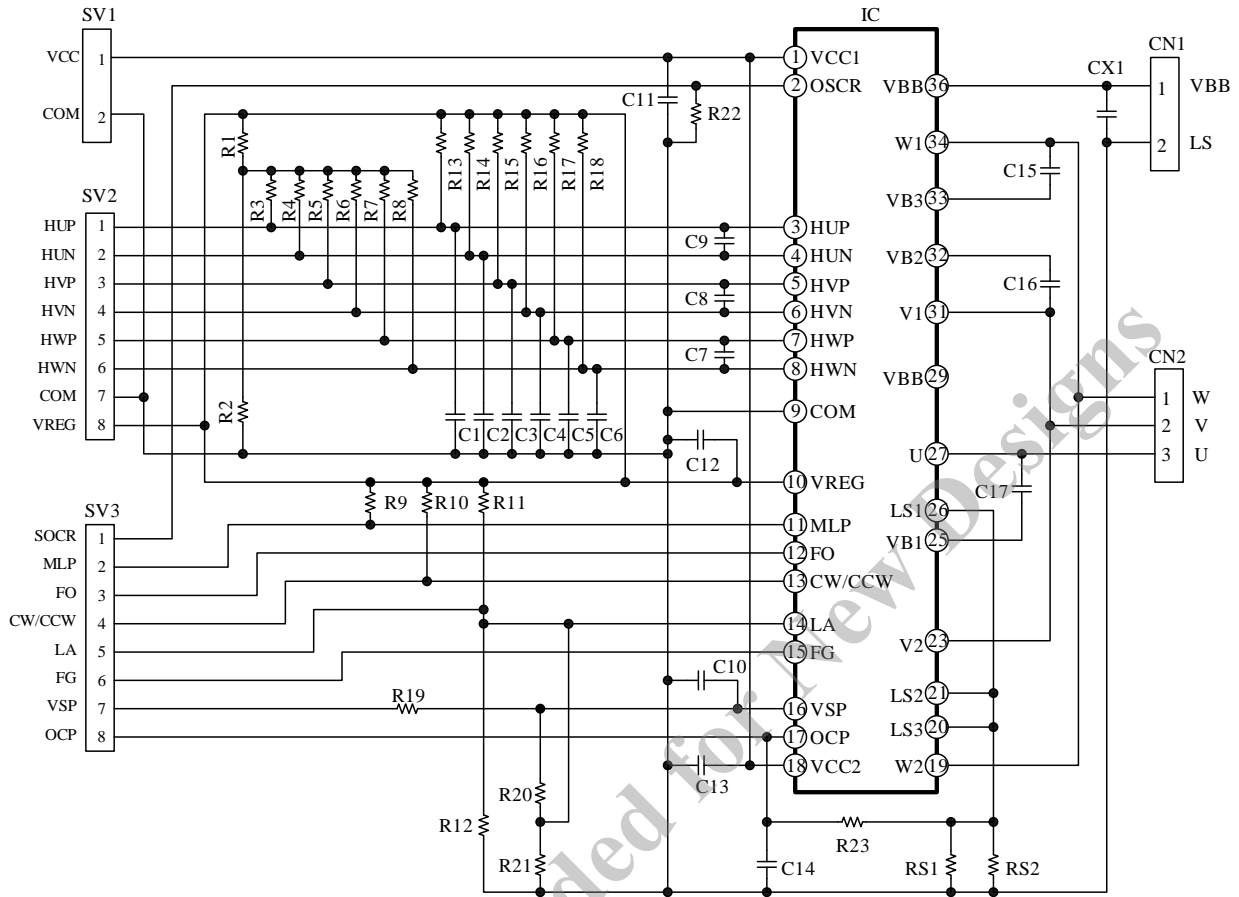


Figure 14-2. Circuit Diagram of PCB Pattern Layout Example

SX6812xM Series

15. Typical Motor Driver Application

This section contains the information on the typical motor driver application listed in the previous section, including a circuit diagram, specifications, and the bill of the materials used.

• Motor Driver Specifications

| | |
|-------------------------------|----------------|
| IC | SX68126M |
| Main Supply Voltage, V_{DC} | 300 VDC (typ.) |
| Rated Output Power | 50 W |

• Circuit Diagram

See Figure 14-2.

• Bill of Materials

| Symbol | Part Type | Ratings | Symbol | Part Type | Ratings |
|-------------------|-----------|---------------------|--------------------|-------------|--------------------------|
| C1 | Ceramic | 0.1 μ F, 35 V | R9 ⁽¹⁾ | General | Open |
| C2 | Ceramic | 0.1 μ F, 35 V | R10 ⁽²⁾ | General | 0 Ω , 1/8 W |
| C3 | Ceramic | 0.1 μ F, 35 V | R11 | General | Open |
| C4 | Ceramic | 0.1 μ F, 35 V | R12 | General | Open |
| C5 | Ceramic | 0.1 μ F, 35 V | R13 ⁽³⁾ | General | Open |
| C6 | Ceramic | 0.1 μ F, 35 V | R14 ⁽³⁾ | General | Open |
| C7 | Ceramic | 0.01 μ F, 35 V | R15 ⁽³⁾ | General | Open |
| C8 | Ceramic | 0.01 μ F, 35 V | R16 ⁽³⁾ | General | Open |
| C9 | Ceramic | 0.01 μ F, 35 V | R17 ⁽³⁾ | General | Open |
| C10 | Ceramic | 0.1 μ F, 35 V | R18 ⁽³⁾ | General | Open |
| C11 | Ceramic | 1 μ F, 35 V | R19 | General | 4.7k Ω , 1/8 W |
| C12 | Ceramic | 1 μ F, 35 V | R20 | General | Open |
| C13 | Ceramic | 1 μ F, 35 V | R21 | General | Open |
| C14 | Ceramic | 2200 pF, 35 V | R22 ⁽⁴⁾ | General | Open |
| C15 | Ceramic | 1 μ F, 50 V | R23 | General | 100 Ω , 1/8 W |
| C16 | Ceramic | 1 μ F, 50 V | RS1 | Metal plate | 0.37 Ω , 1/8 W |
| C17 | Ceramic | 1 μ F, 50 V | RS2 | Metal plate | Open |
| CX1 | Film | 0.01 μ F, 630 V | IC | IC | SX68126M |
| R1 ⁽⁵⁾ | General | Open | CN1 | Pin header | Equiv. to B2P3-VH |
| R2 ⁽⁵⁾ | General | Open | CN2 | Pin header | Equiv. to B3P5-VH |
| R3 ⁽⁵⁾ | General | Open | SV1 | Connector | 2.54 mm pitch pin header |
| R4 ⁽⁵⁾ | General | Open | SV2 | Connector | 2.54 mm pitch pin header |
| R5 ⁽⁵⁾ | General | Open | SV3 | Connector | 2.54 mm pitch pin header |
| R6 ⁽⁵⁾ | General | Open | | | |
| R7 ⁽⁵⁾ | General | Open | | | |
| R8 ⁽⁵⁾ | General | Open | | | |

⁽¹⁾ Should be connected when MLP = H and be left open when MLP = L.

⁽²⁾ Should be connected when CW/CCW = H and be left open when CW/CCW = L.

⁽³⁾ Should be connected for noise filtering.

⁽⁴⁾ Refers to the setting value when $f_{PWM} = 17$ kHz (typ.).

⁽⁵⁾ Should be connected when your application employs Hall IC inputs.

Important Notes

- All data, illustrations, graphs, tables and any other information included in this document (the “Information”) as to Sanken’s products listed herein (the “Sanken Products”) are current as of the date this document is issued. The Information is subject to any change without notice due to improvement of the Sanken Products, etc. Please make sure to confirm with a Sanken sales representative that the contents set forth in this document reflect the latest revisions before use.
- The Sanken Products are intended for use as components of general purpose electronic equipment or apparatus (such as home appliances, office equipment, telecommunication equipment, measuring equipment, etc.). Prior to use of the Sanken Products, please put your signature, or affix your name and seal, on the specification documents of the Sanken Products and return them to Sanken. When considering use of the Sanken Products for any applications that require higher reliability (such as transportation equipment and its control systems, traffic signal control systems or equipment, disaster/crime alarm systems, various safety devices, etc.), you must contact a Sanken sales representative to discuss the suitability of such use and put your signature, or affix your name and seal, on the specification documents of the Sanken Products and return them to Sanken, prior to the use of the Sanken Products. The Sanken Products are not intended for use in any applications that require extremely high reliability such as: aerospace equipment; nuclear power control systems; and medical equipment or systems, whose failure or malfunction may result in death or serious injury to people, i.e., medical devices in Class III or a higher class as defined by relevant laws of Japan (collectively, the “Specific Applications”). Sanken assumes no liability or responsibility whatsoever for any and all damages and losses that may be suffered by you, users or any third party, resulting from the use of the Sanken Products in the Specific Applications or in manner not in compliance with the instructions set forth herein.
- In the event of using the Sanken Products by either (i) combining other products or materials or both therewith or (ii) physically, chemically or otherwise processing or treating or both the same, you must duly consider all possible risks that may result from all such uses in advance and proceed therewith at your own responsibility.
- Although Sanken is making efforts to enhance the quality and reliability of its products, it is impossible to completely avoid the occurrence of any failure or defect or both in semiconductor products at a certain rate. You must take, at your own responsibility, preventative measures including using a sufficient safety design and confirming safety of any equipment or systems in/for which the Sanken Products are used, upon due consideration of a failure occurrence rate and derating, etc., in order not to cause any human injury or death, fire accident or social harm which may result from any failure or malfunction of the Sanken Products. Please refer to the relevant specification documents and Sanken’s official website in relation to derating.
- No anti-radioactive ray design has been adopted for the Sanken Products.
- The circuit constant, operation examples, circuit examples, pattern layout examples, design examples, recommended examples, all information and evaluation results based thereon, etc., described in this document are presented for the sole purpose of reference of use of the Sanken Products.
- Sanken assumes no responsibility whatsoever for any and all damages and losses that may be suffered by you, users or any third party, or any possible infringement of any and all property rights including intellectual property rights and any other rights of you, users or any third party, resulting from the Information.
- No information in this document can be transcribed or copied or both without Sanken’s prior written consent.
- Regarding the Information, no license, express, implied or otherwise, is granted hereby under any intellectual property rights and any other rights of Sanken.
- Unless otherwise agreed in writing between Sanken and you, Sanken makes no warranty of any kind, whether express or implied, including, without limitation, any warranty (i) as to the quality or performance of the Sanken Products (such as implied warranty of merchantability, and implied warranty of fitness for a particular purpose or special environment), (ii) that any Sanken Product is delivered free of claims of third parties by way of infringement or the like, (iii) that may arise from course of performance, course of dealing or usage of trade, and (iv) as to the Information (including its accuracy, usefulness, and reliability).
- In the event of using the Sanken Products, you must use the same after carefully examining all applicable environmental laws and regulations that regulate the inclusion or use or both of any particular controlled substances, including, but not limited to, the EU RoHS Directive, so as to be in strict compliance with such applicable laws and regulations.
- You must not use the Sanken Products or the Information for the purpose of any military applications or use, including but not limited to the development of weapons of mass destruction. In the event of exporting the Sanken Products or the Information, or providing them for non-residents, you must comply with all applicable export control laws and regulations in each country including the U.S. Export Administration Regulations (EAR) and the Foreign Exchange and Foreign Trade Act of Japan, and follow the procedures required by such applicable laws and regulations.
- Sanken assumes no responsibility for any troubles, which may occur during the transportation of the Sanken Products including the falling thereof, out of Sanken’s distribution network.
- Although Sanken has prepared this document with its due care to pursue the accuracy thereof, Sanken does not warrant that it is error free and Sanken assumes no liability whatsoever for any and all damages and losses which may be suffered by you resulting from any possible errors or omissions in connection with the Information.
- Please refer to our official website in relation to general instructions and directions for using the Sanken Products, and refer to the relevant specification documents in relation to particular precautions when using the Sanken Products.
- All rights and title in and to any specific trademark or tradename belong to Sanken and such original right holder(s).

DSGN-CEZ-16003