

# Customer Information Sheet

DRAWING No.: M83-LFCIF2N19-0101-325

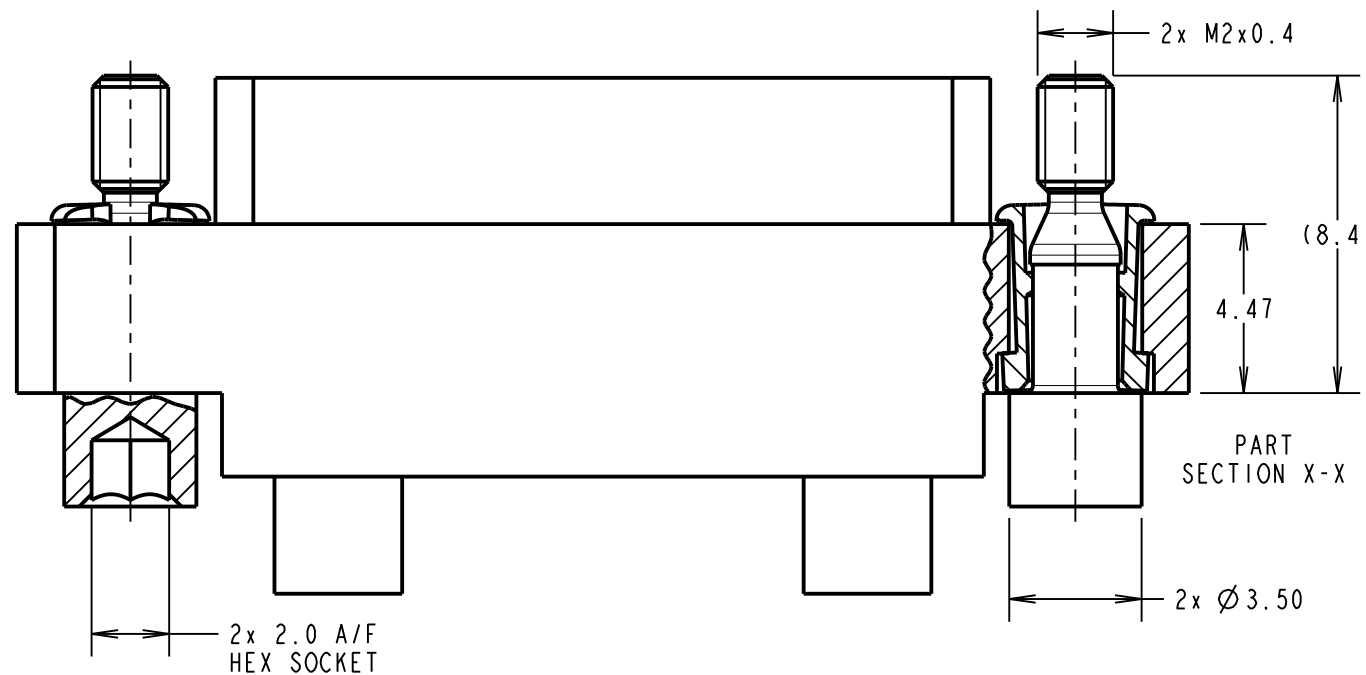
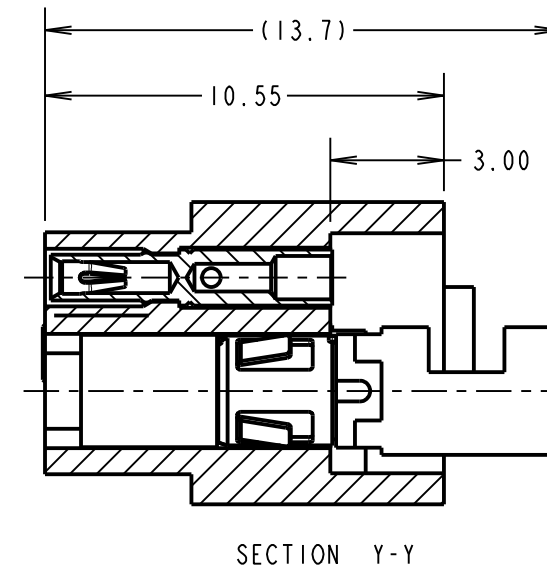
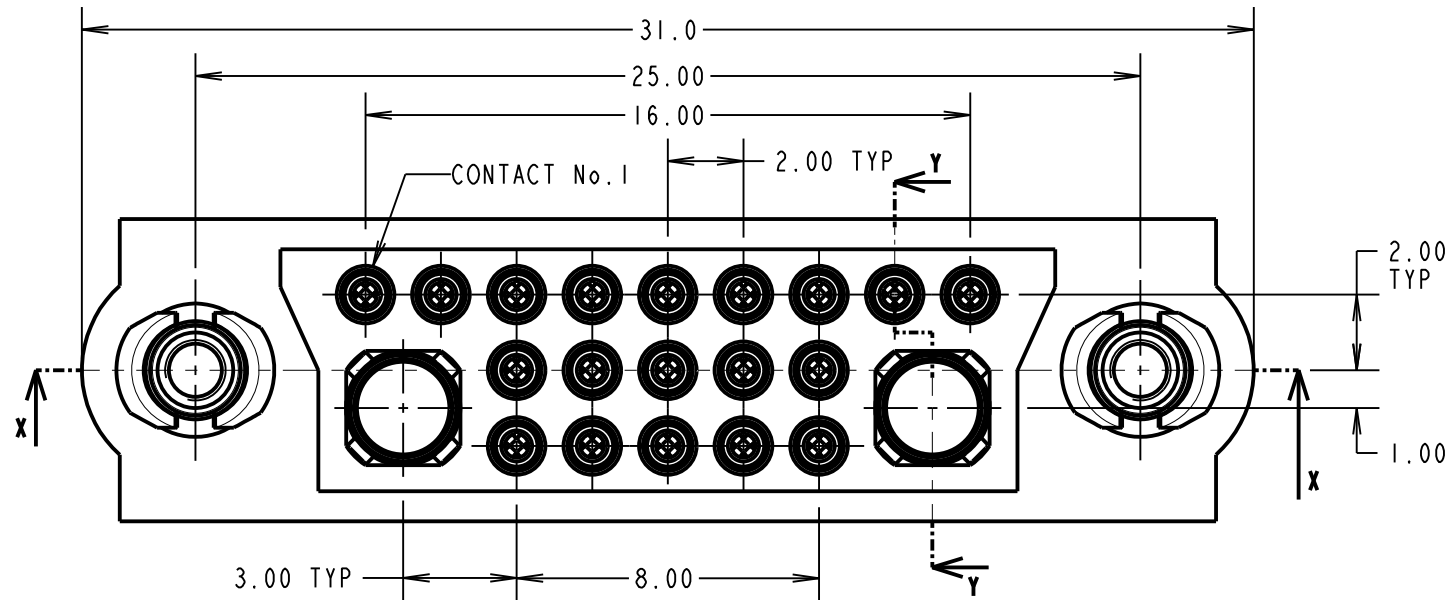
IF IN DOUBT - ASK

©

NOT TO SCALE

THIRD ANGLE PROJECTION

ALL DIMENSIONS IN mm

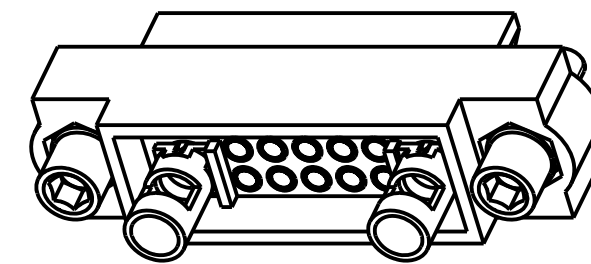
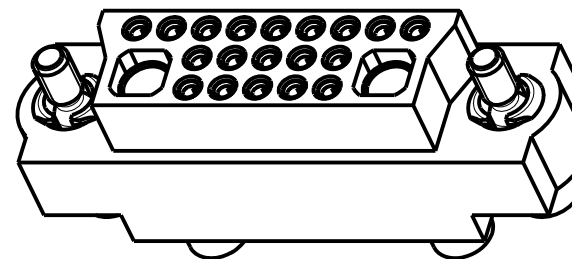


**SPECIFICATIONS:**

**MATERIAL:**  
 Moulding = GLASS-FILLED PPS, UL94V-0, BLACK  
 JACKSCREW = STAINLESS STEEL  
 JACKSCREW COLLAR = NICKEL COATED BRASS  
**SIGNAL CONTACT:**  
 CLIP = BERYLLIUM COPPER  
 SHELL = COPPER ALLOY  
**POWER CONTACT:**  
 BODY = COPPER ALLOY  
 LATCHING COLLAR = BERYLLIUM COPPER  
**FINISH:**  
**SIGNAL CONTACT:**  
 CLIP = 0.3µm GOLD  
 SHELL = 0.25-0.3µm GOLD  
**POWER CONTACT**  
 BODY = GOLD  
 LATCHING COLLAR = NICKEL  
**ELECTRICAL:**  
**SIGNAL CONTACT:**  
 CURRENT RATING AT 25°C = 3.0A MAX  
 CURRENT RATING AT 85°C = 2.2A MAX  
 CONTACT RESISTANCE = 25 mΩ MAX  
**POWER CONTACT:**  
 CURRENT RATING = 20A MAX  
 CONTACT RESISTANCE = 6mΩ MAX  
 VOLTAGE PROOF = 1200V AC/DC  
 WORKING VOLTAGE = 800V AC/DC  
 INSULATION RESISTANCE = 100 MΩ MIN  
**MECHANICAL:**  
 DURABILITY = 500 OPERATIONS  
**SIGNAL CONTACT:**  
 INSERTION FORCE = 1.0N MAX  
 WITHDRAWAL FORCE = 0.2N MIN  
**POWER CONTACT:**  
 INSERTION FORCE = 5N MAX  
 WITHDRAWAL FORCE = 0.5N MIN  
**ENVIRONMENTAL:**  
 TEMP RANGE = -55°C TO +125°C  
**PACKING:**  
 BAG  
 FOR COMPLETE SPECIFICATION, SEE  
 COMPONENT SPECIFICATION C005XX  
 (LATEST ISSUE)

**NOTES:**

- CONNECTORS ARE SUPPLIED WITH CONTACTS LOOSE.
- FOR EXTRA SIGNAL CONTACTS, USE PART NUMBER M80-0130005.  
FOR EXTRA POWER CONTACTS, USE PART NUMBER M80-325
- RECOMMENDED SIGNAL WIRE TYPE = BS 3G 210 TYPE A,  
PTFE INSULATED 24-28 AWG, MAX INSULATION DIA = Ø1.10mm,  
STRIP WIRE BY 2.00mm.  
POWER CONTACT WIRE STRIP BY 5.00mm MINIMUM
- RECOMMENDED HAND CRIMP TOOL FOR SIGNAL CONTACT =  
M22520/2-01 WITH POSITIONER T5747. SEE TOOLING  
INSTRUCTION SHEET IS-01 FOR CRIMPING INSTRUCTIONS.
- CONTACT INSERTION AND EXTRACTION TOOL = Z80-280. SEE  
INSTRUCTION SHEET IS-25 FOR ASSEMBLY INFORMATION.



MGP	2	17.02.21	22194
NAME	ISS.	DATE	CN/CO
APPROVED: MGP			
CHECKED: MR			
DRAWN: JM BROOKES			
CUSTOMER REF.:			
ASSEMBLY DRG:			

**HARWIN**

www.harwin.com  
technical@harwin.com

THIS DRAWING AND ANY INFORMATION OR DESCRIPTIVE MATTER SET OUT HEREON ARE CONFIDENTIAL AND COPYRIGHT PROPERTY OF THE HARWIN GROUP AND MUST NOT BE DISCLOSED, LOANED, COPIED OR USED FOR MANUFACTURING, TENDERING OR FOR ANY OTHER PURPOSE WITHOUT THEIR WRITTEN PERMISSION.

**TOLERANCES**  
 X. = ±1mm  
 X.X = ±0.50mm  
 X.XX = ±0.20mm  
 X.XXX = ±0.01mm  
 ANGLES = ±5°  
 UNLESS STATED

**MATERIAL:**  
 SEE ABOVE  
**FINISH:** SEE ABOVE  
**S/AREA:** mm<sup>2</sup>

**TITLE:** JACKSCREW DATAMATE  
 3-ROW CRIMP/SOLDER FEMALE  
 ASSY WITH SPECIAL CONTACTS  
**DRAWING NUMBER:**  
 M83-LFCIF2N19-0101-325  
 SHT 2 OF 2