

Customer Information Sheet

DRAWING No.: M225-2530046 & M225-2540046

IF IN DOUBT - ASK

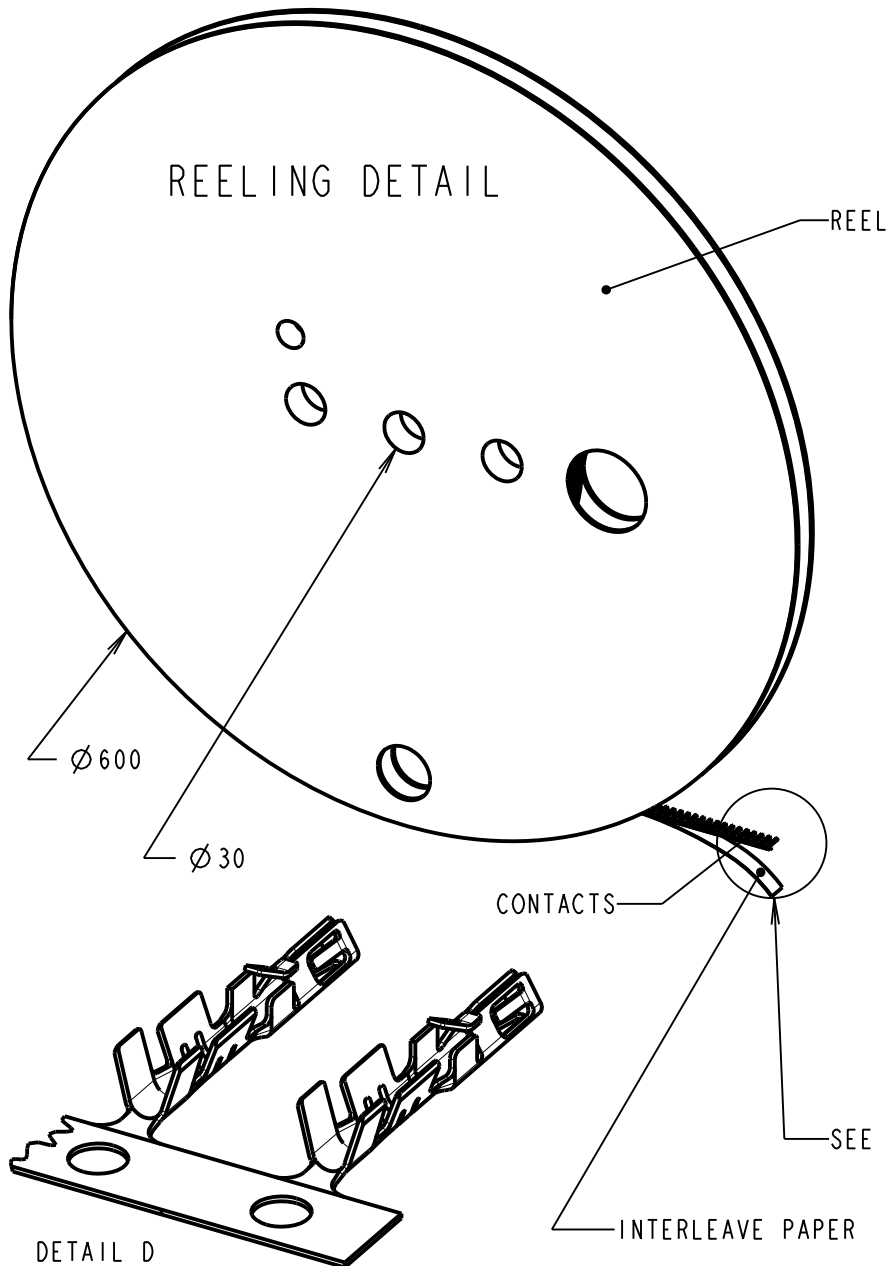
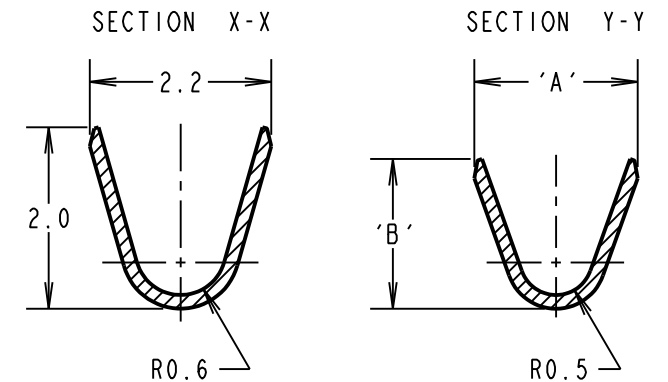
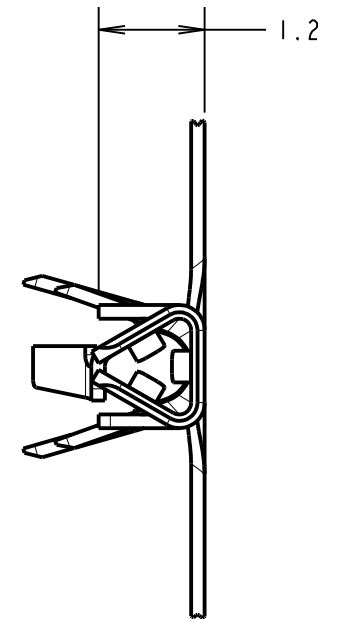
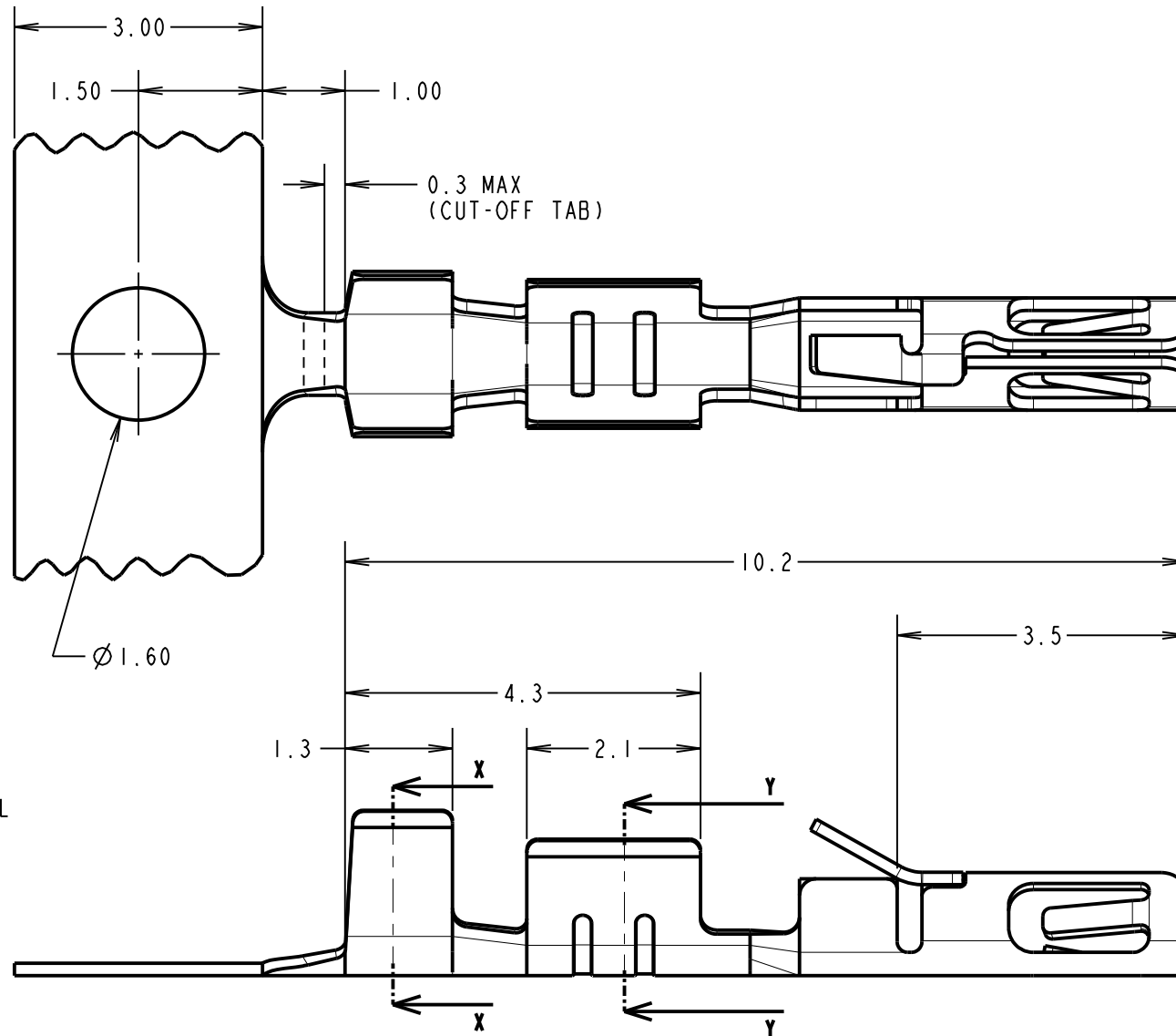
©

NOT TO SCALE

THIRD ANGLE PROJECTION

ALL DIMENSIONS IN mm

SPECIFICATION:
MATERIAL:
 BERYLLIUM COPPER
FINISH:
 46 = 3.0µm 100% OVER 2.4µm NICKEL
MECHANICAL:
 INSERTION FORCE = 5.0N MAX, 0.5N MIN
 WITHDRAWAL FORCE = 4.0N MAX, 0.2N MIN
 DURABILITY = 50 OPERATIONS
ENVIRONMENTAL:
 OPERATING TEMPERATURE = -55°C TO +125°C
PACKING:
 REEL (AS SHOWN), 15K/REEL
 FOR COMPLETE CONNECTOR SPECIFICATION, SEE
 COMPONENT SPECIFICATION C050XX (LATEST ISSUE)



- NOTES:**
- TO BE USED WITH THE FOLLOWING FEMALE HOUSING:
 M225-455XX98 = HOUSING WITH RETAINER & PIN
 - RECOMMENDED WIRE TYPE = 22-28 AWG, WIRE INSULATION \varnothing 0.6mm- \varnothing 1.1mm.
 STRIP WIRE BY 2.7-3.0mm FOR CRIMPING.
 - RECOMMENDED CRIMP HEIGHTS:
 0.76-0.82mm FOR 22-24 AWG CONTACTS
 0.50-0.56mm FOR 26-28 AWG CONTACTS
 - SUITABLE FOR PROCESSING WITH LEFT SIDE FEED CRIMPING PRESS.
 CONTACT technical@harwin.co.uk FOR DETAILS.
 - CONTACTS ARE AVAILABLE LOOSE, PART NUMBERS:
 M225-2830046 FOR 22-24 AWG WIRE AND
 M225-2840046 FOR 26-28 AWG WIRE, SUITABLE FOR PROCESSING WITH HAND
 CRIMP TOOL Z80-255.

PART No.	DIMENSION	
	'A'	'B'
M80-2530046	1.8 ±0.2	1.7 ±0.2
M80-2540046	1.3 ±0.2	1.0 ±0.2

ORDER CODE:
M225-XXX0046

WIRE SIZE:
 253 = 22-24 AWG
 254 = 26-28 AWG

FINISH:
 46 = 100% TIN ALL OVER

MR	4	10.01.19	21735
NAME	ISS.	DATE	C/NOTE
APPROVED: M.RUDKIN			
CHECKED: S.BENNETT			
DRAWN: S.BENNETT			
CUSTOMER REF.:			
ASSEMBLY DRG:			

HARWIN

www.harwin.com
technical@harwin.com

THIS DRAWING AND ANY INFORMATION OR DESCRIPTIVE MATTER SET OUT HEREON ARE CONFIDENTIAL AND COPYRIGHT PROPERTY OF THE HARWIN GROUP AND MUST NOT BE DISCLOSED, LOANED, COPIED OR USED FOR MANUFACTURING, TENDERING OR FOR ANY OTHER PURPOSE WITHOUT THEIR WRITTEN PERMISSION.

TOLERANCES
 X. = ±1mm
 X.X = ±0.50mm
 X.XX = ±0.10mm
 X.XXX = ±0.01mm
 ANGLES = ±5°
 UNLESS STATED

MATERIAL:
 SEE ABOVE

FINISH:
 SEE ABOVE

S/AREA:
 mm²

TITLE: DATAMATE TRIO-TEK FEMALE CRIMP CONTACT REELED 22-24 AWG & 26-28 AWG

DRAWING NUMBER:
M225-2530046 & M225-2540046

SHT 3 OF 3