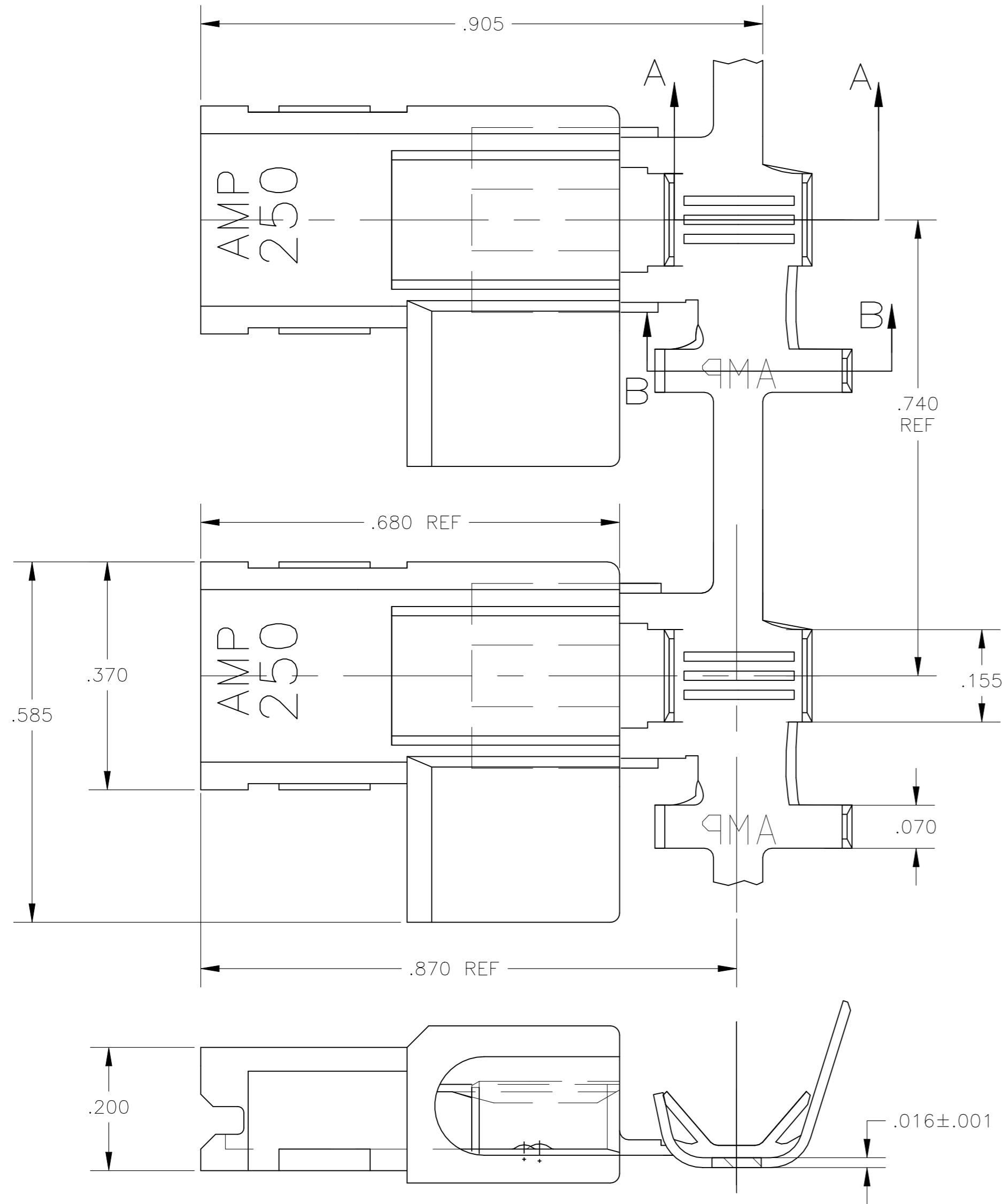
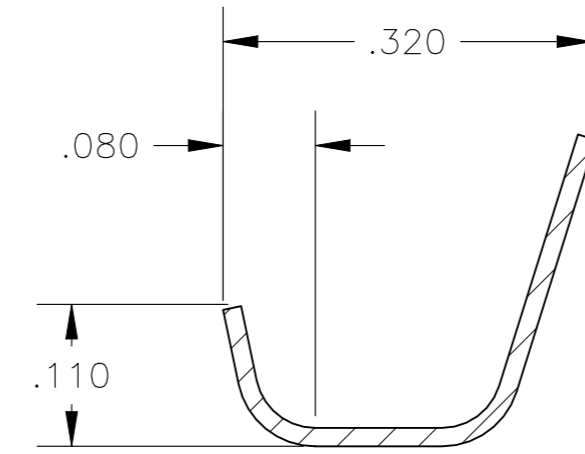


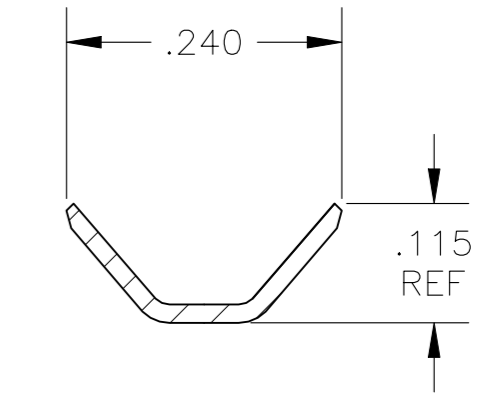
REVISIONS					
P	LTR	DESCRIPTION	DATE	DWN	APVD
G3		REVISED PER ECR-22-139600	29NOV2022	DB	FF



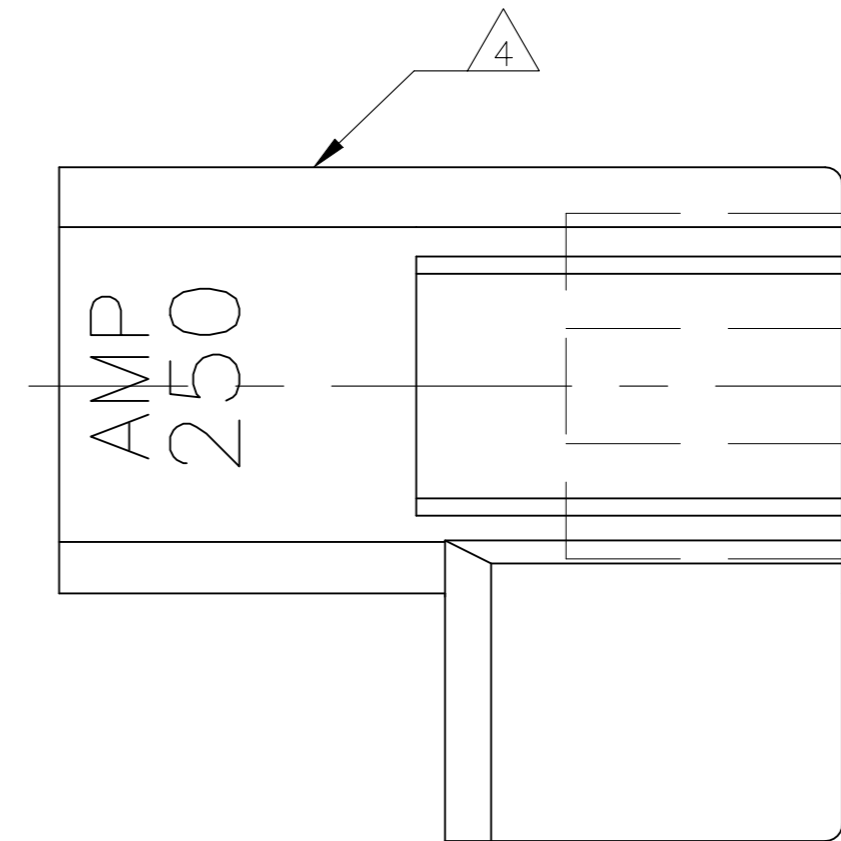
- 2 INSULATION RANGE TO BE .110-.160 OR TWO AT .110 MAX DIA.
- 3 WIRE SIZE IS [#18-#14 OR TWO #20'S OR TWO #18'S].
- △ ALTERNATE HOUSING FORM
- 5 FITS .250x.032 THICK FASTON TAB.



SECTION B-B



SECTION A-A



SUPERSEDED BY 521633-2

6/6 NYLON, VO / NATURAL		BRASS / TIN PLATED	521633-2												
6/6 NYLON, VO / NATURAL		BRASS / PLAIN	521633-1												
HOUSING MATERIAL / COLOR		TERMINAL MATERIAL / FINISH	PART NO												
THIS DRAWING IS A CONTROLLED DOCUMENT.		DWN JR RUTH 08MAY03													
DIMENSIONS: INCHES		CHK J HUMMEL 08MAY03													
TOLERANCES UNLESS OTHERWISE SPECIFIED:		APVD J HUMMEL 08MAY03													
<table border="1"> <tr><td>0 PLC</td><td>± -</td></tr> <tr><td>1 PLC</td><td>± -</td></tr> <tr><td>2 PLC</td><td>± -</td></tr> <tr><td>3 PLC</td><td>± .010</td></tr> <tr><td>4 PLC</td><td>± -</td></tr> <tr><td>ANGLES</td><td>± -</td></tr> </table>		0 PLC	± -	1 PLC	± -	2 PLC	± -	3 PLC	± .010	4 PLC	± -	ANGLES	± -	NAME PRODUCT SPEC 108-1285 APPLICATION SPEC 114-2124	ASSEMBLY, RECEPTACLE, FLAG, ULTRA-POD, .250 SERIES
0 PLC	± -														
1 PLC	± -														
2 PLC	± -														
3 PLC	± .010														
4 PLC	± -														
ANGLES	± -														
MATERIAL SEE TABLE	FINISH SEE TABLE	SIZE A2 CAGE CODE 00779 DRAWING NO C=521633 WEIGHT 0.000000	RESTRICTED TO -												
CUSTOMER DRAWING		SCALE 6:1	SHEET 1 OF 1 REV G3												