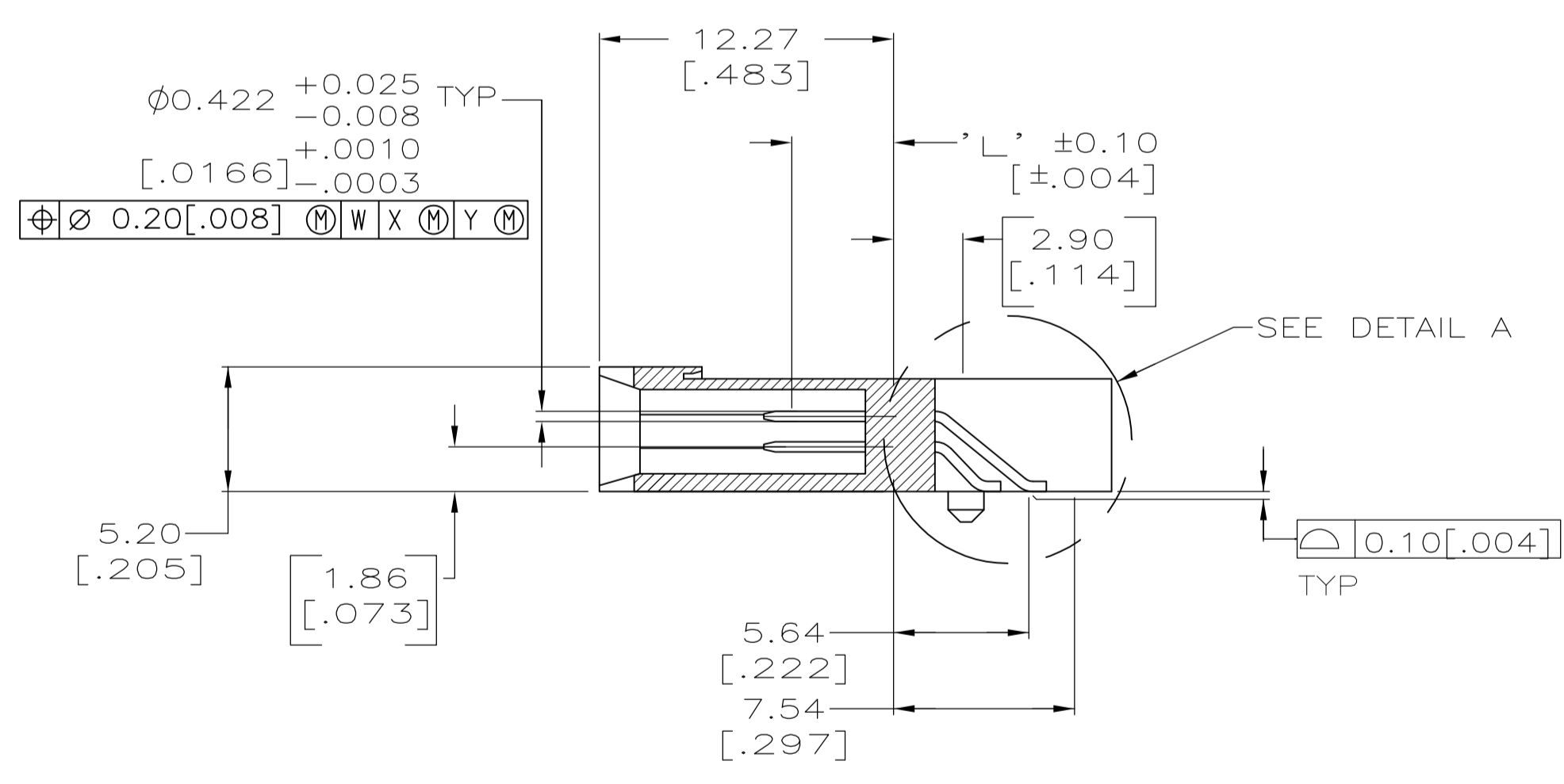
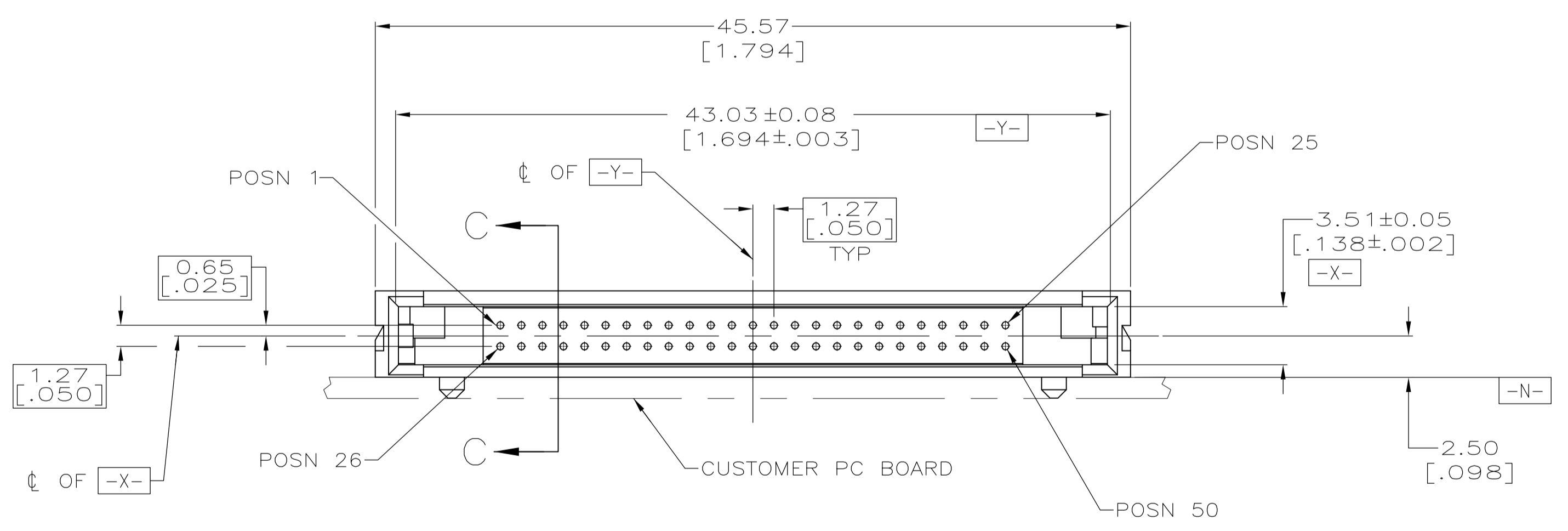
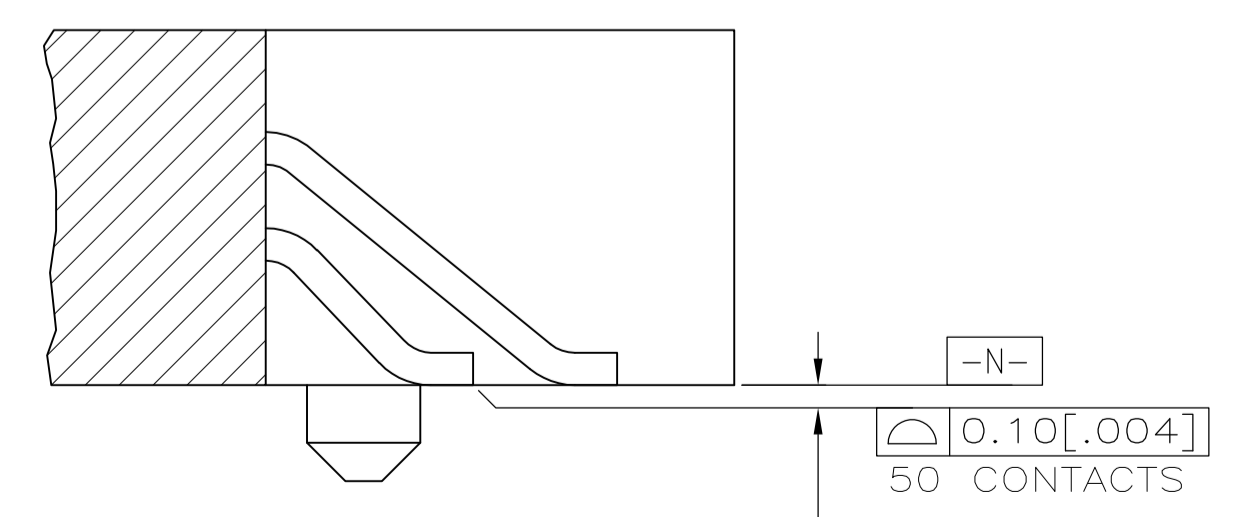


RECOMMENDED BOARD LAYOUT



SECTION C-C



DETAIL A  
SCALE 10:1

- 1 CONTACTS: 0.00076[0.000030] MINIMUM GOLD IN CONTACT AREA, 0.00381[0.000150] MIN TIN ON SOLDER TAILS, ALL OVER 0.00127[0.000050] MINIMUM NICKEL
- 2 CUSTOMER TO PROVIDE CARD GUIDANCE SYSTEM
- 3 DATUMS AND BASIC DIMENSIONS ESTABLISHED BY CUSTOMER
- 4 CONNECTOR REQUIRES USE OF 2 - SIZE 2M SCREWS FOR FASTENING TO PRINTED CIRCUIT BOARD

1, 13, 38, 50	ALL OTHER PINS	25, 26	5120615-1
5.0 [0.197]	4.25 [0.167]	3.5 [0.138]	PART NUMBER
"L" (PIN LENGTH) AND LOCATION			

THIS DRAWING IS A CONTROLLED DOCUMENT.		DIN B MCMASTER 12JULY05		TE Connectivity	
DIMENSIONS: mm [INCHES]		CHK J. GERACE 12JULY05		NAME M. WALMSLEY 12JULY05	
TOLERANCES UNLESS OTHERWISE SPECIFIED:		APPL APPLICATION SPEC		PRODUCT SPEC	
0 PLC	±	PIN HEADER ASSEMBLY, 50 POSN, SMT, TOP MOUNT, LOW PROFILE, AMP COMPACTFLASH			
1 PLC	±	SIZE CASE CODE DRAWING NO RESTRICTED TO			
2 PLC	±	WEIGHT A1 00779 5120615			
3 PLC	± 0.13 [0.005]	CUSTOMER DRAWING SCALE 4:1 SHEET 1 OF 1 REV P			
4 PLC	±				
ANGLES	±				
MATERIAL HOUSING: LCP CONTACTS: BRASS					