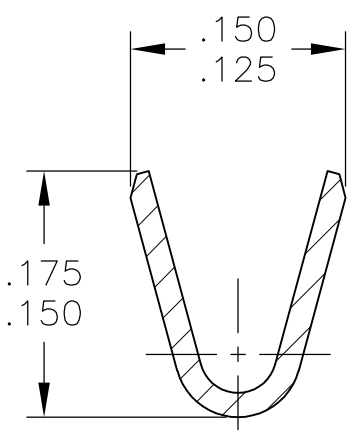
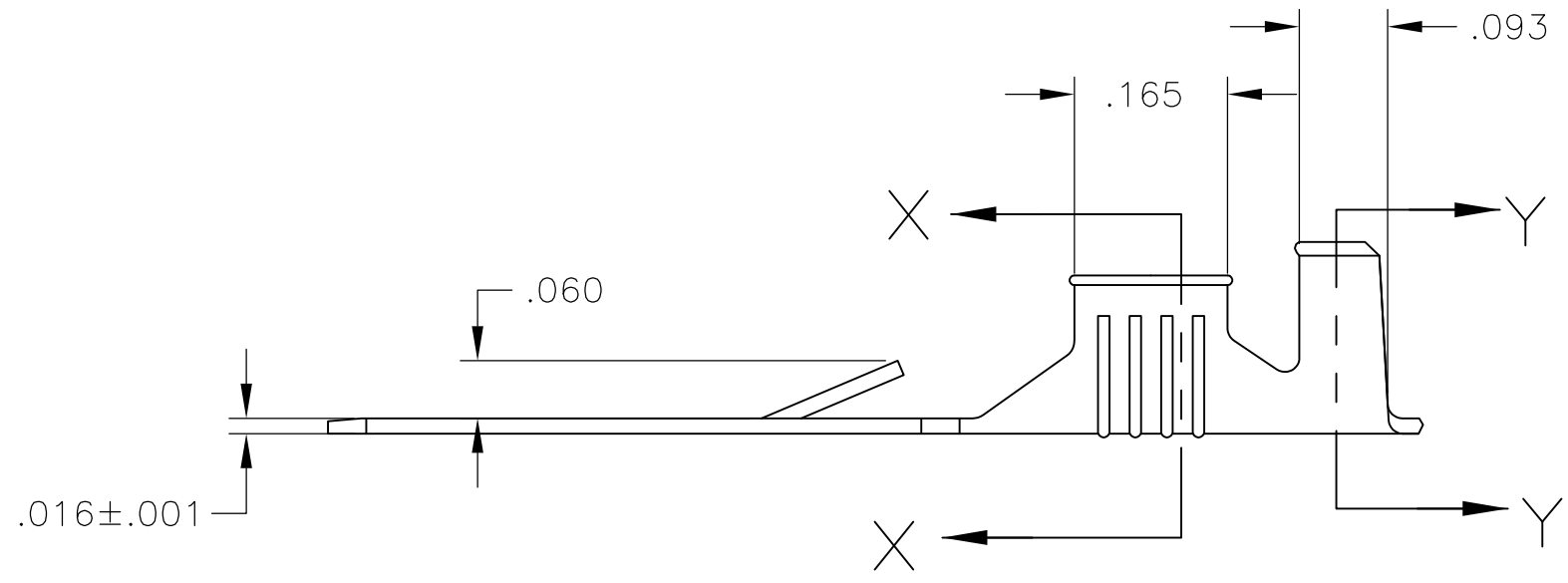
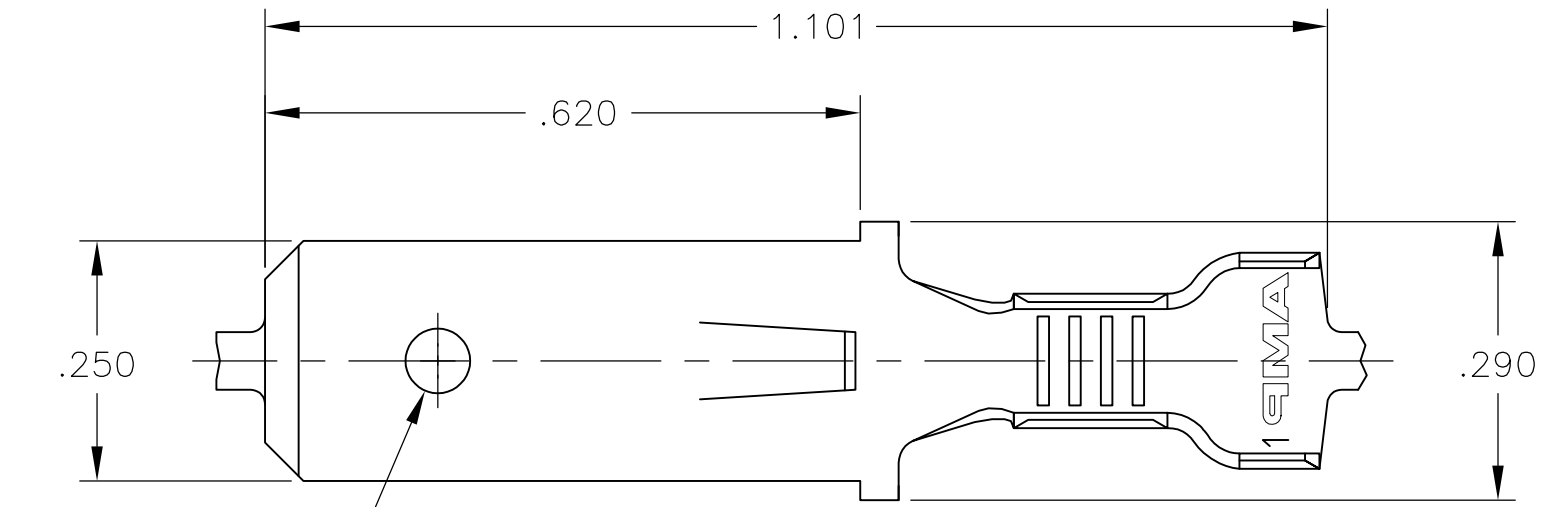


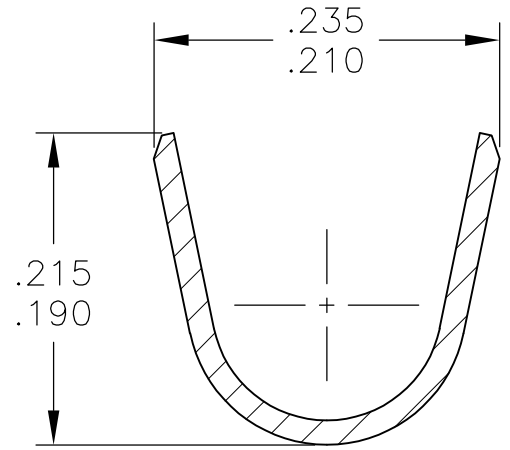
THIS DRAWING IS UNPUBLISHED. RELEASED FOR PUBLICATION
 © COPYRIGHT - By - ALL RIGHTS RESERVED.

LOC	DIST	REVISIONS			
P	LTR	DESCRIPTION	DATE	DWN	APVD
AF	50	AA	REVISED PER ECR-13-005733	23AUG13	KH PD

- 1 FOREIGN PRODUCTION ONLY.
- 2 CONTINUOUS STRIP ON REELS.
- 3 WIRE SIZE IS #18-#14 AWG
- 4 INSULATION RANGE IS .120-.145 DIA



SECTION X-X
SCALE 8:1



SECTION Y-Y
SCALE 8:1

OBSOLETE	SILVER	42580-3
	TIN	42580-2
OBSOLETE		1 42580-1
	FINISH	PART NUMBER

THIS DRAWING IS A CONTROLLED DOCUMENT.		DWN	JR RUTH	12/17/90	STE TE Connectivity		
DIMENSIONS: INCHES		CHK	MS FEHER	12/17/90			
TOLERANCES UNLESS OTHERWISE SPECIFIED:		APVD	D REINER	12/17/90	NAME		
0 PLC ± -		PRODUCT SPEC		TAB, FASTIN-FASTON, .250 SERIES			
1 PLC ± -		APPLICATION SPEC		-			
2 PLC ± -		SIZE	A3	CAGE CODE	00779	DRAWING NO	C-42580
3 PLC ± .010		WEIGHT		-		RESTRICTED TO	
4 PLC ± -		CUSTOMER DRAWING					
ANGLES ± -		SCALE		5:1		SHEET 1 OF 1	
FINISH SEE TABLE		REV		AA			