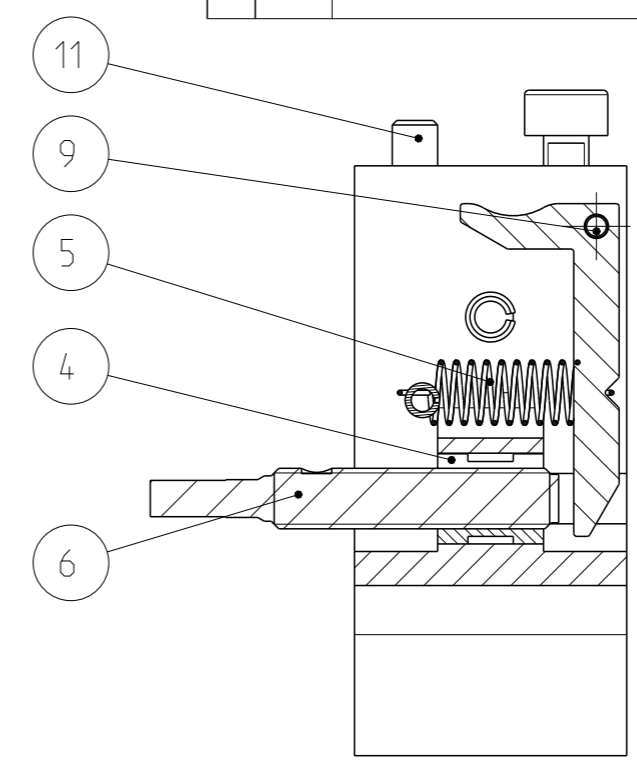
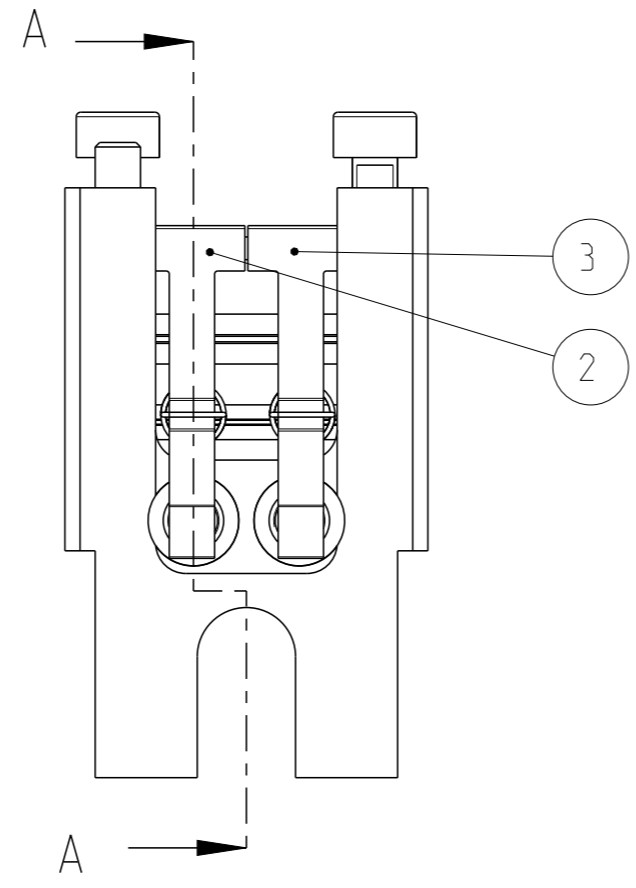
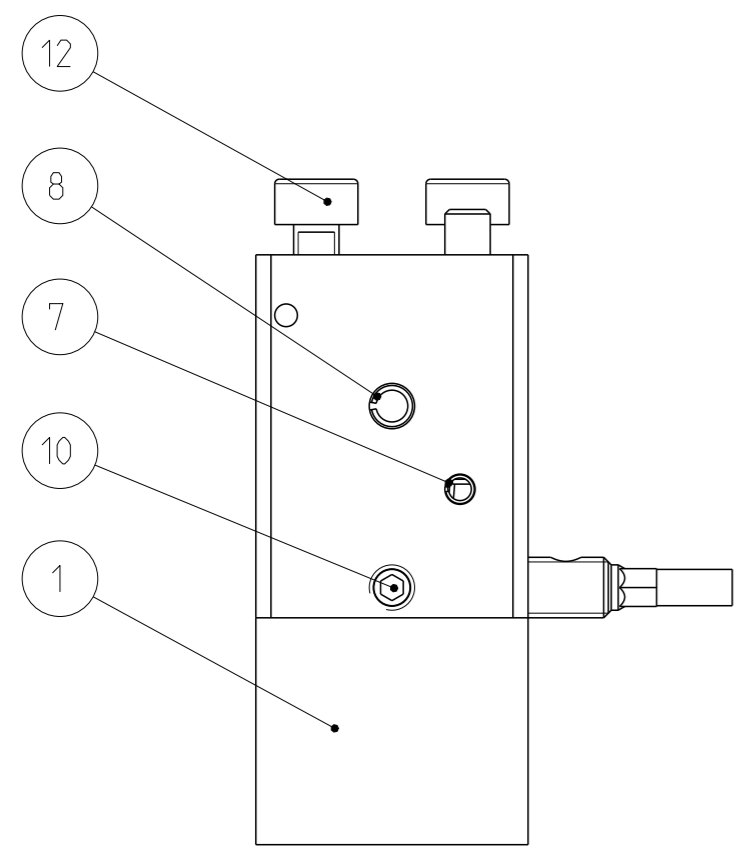


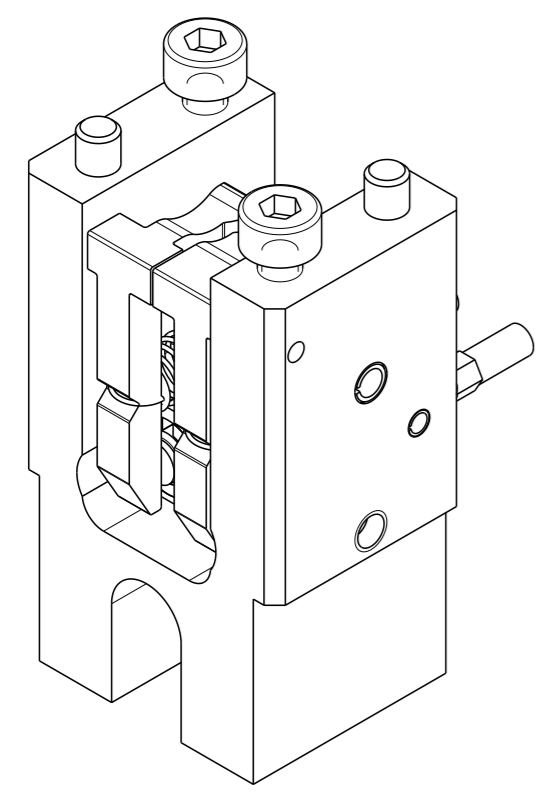
THIS DRAWING IS UNPUBLISHED. RELEASED FOR PUBLICATION 20
© COPYRIGHT 20 BY - ALL RIGHTS RESERVED.

REVISIONS

P	LTR	DESCRIPTION	DATE	DWN	APVD
C		INITIAL RELEASE	29OCT2015	MB	-
D		ECR-16-006730	10MAY2016	MB	KL



POS	QTY	TE/PN	PART REV	DESCRIPTION	WEAR	SPARE
1	1	7-539949-2	B	AMBOSSUNTERTEIL anvil-lower part	-	-
2	1	3-1372436-8	C	WIPPE ROCKER	-	-
3	1	3-1372436-9	C	WIPPE ROCKER	-	-
4	2	7-539949-3	B1	KLEMMHUELSE clamp sleeve	-	-
5	2	5-653860-5	A	ZUGFEDER Z-016 TENSION SPRING	-	YES
6	2	2256719-1	A	SENSOR -	-	YES
7	1	2-519056-7	A	Spannstift 2x24 DIN 1481 2*24 DIN 1481	-	YES
8	1	5-519056-7	A	Spannstift 3x24 DIN 1481 3*24 DIN 1481	-	YES
9	1	8-519052-2_GATD_DKB	A	Zyl.-Stift 1.5m6x20 DIN 6325 PIN 5m6x16 DIN 6325	-	-
10	2	1-519011-9	B	SCREW M3x4 DIN 913 -	-	YES
11	2	3-508368-7	A	ZYLINDERSTIFT DIN 6325 3x8 PIN DIN 6325 3x8	-	YES
12	2	1-519000-1_GATD_DKB	A2	Zylinderschr. M3x6 DIN 912 SCREW DIN EN ISO 4762	-	YES



THIS DRAWING IS A CONTROLLED DOCUMENT.

DWN G.BILECKI 12FEB2010
CHK -
APVD -
PRODUCT SPEC -
APPLICATION SPEC -
WEIGHT 130g
Customer Drawing

STE TE Connectivity

NAME AMBOSSKOERPER ANVIL BODY

SIZE A3 CAGE CODE - DRAWING NO C-4-1372436-0 RESTRICTED TO -

SCALE 2:1 SHEET 1 OF 1 REV D