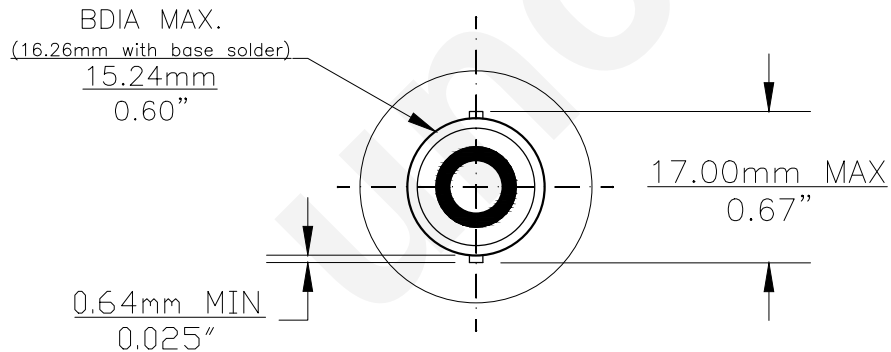
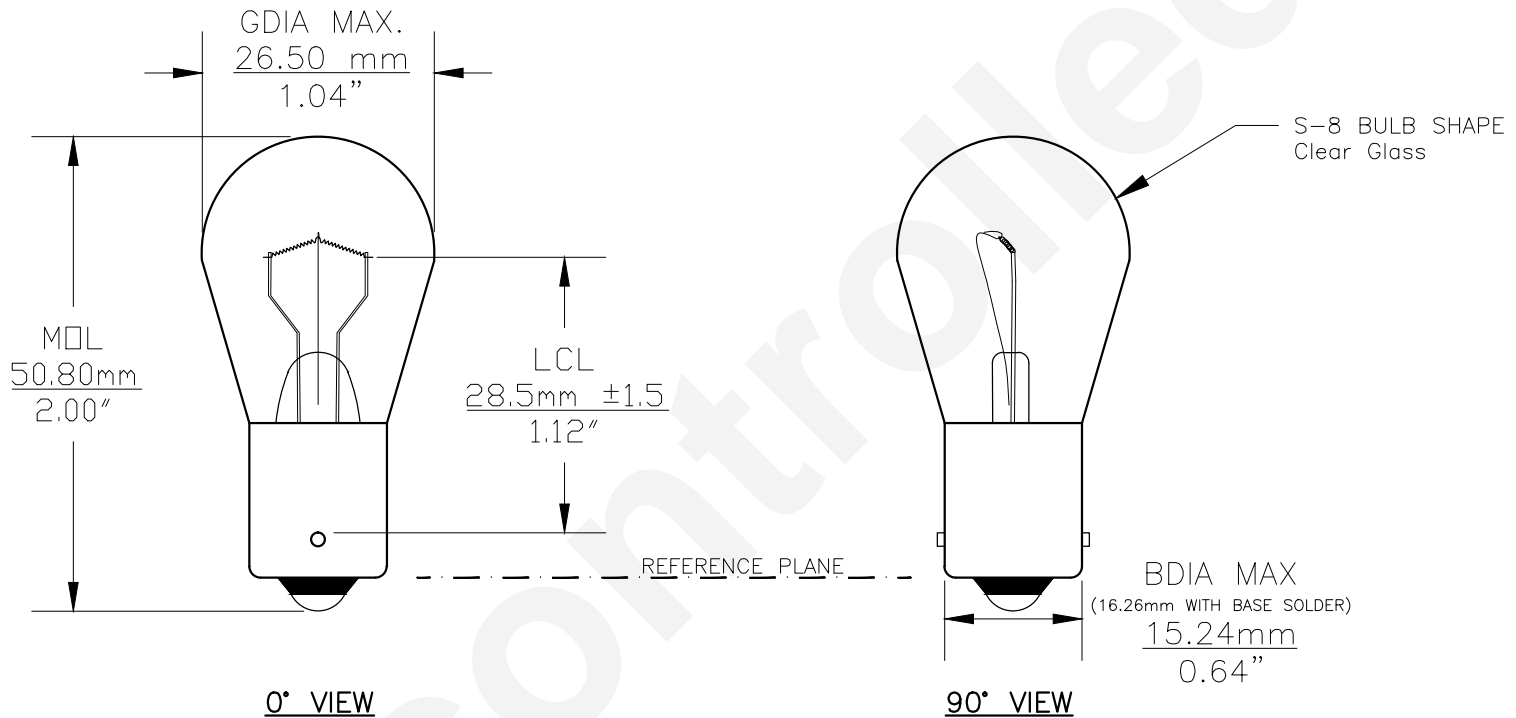




PART NO.	BASE TYPE	DESIGN VOLTS	DESIGN AMPS	MSCD	FILAMENT TYPE	AVERAGE LIFE HOURS	REVISIONS			
							REV #	DESCRIPTION	DATE	APPROVED
307	S.C. Bayonet (BA15s)	28.0V	0.67±5%	21±10%	C-2V	300	1	ISSUED	10/22/2014	R.M.



Note: Made according to SAE specifications



UNLESS OTHERWISE SPECIFIED: DIMENSIONS ARE IN INCHES TOLERANCES		CEC INDUSTRIES LTD			
DECIMALS	ANGULAR	599 BOND STREET		LINCOLNSHIRE, IL 60069	
.XX ± .05	± 0.5°	TITLE		LIGHT BULB NO. 307	
.XXX ± .010	± 1/64	SIZE	FSCM NO.	DWG NO.	REV
FRACTIONAL		A		307	1
DRAWN ROSE MEDINA	DATE 10/22/2014	SCALE	PLOT SCALE	SHEET	1 OF 1
CHECKED		FILE	307.pdf	DRAWING NOT TO SCALE	