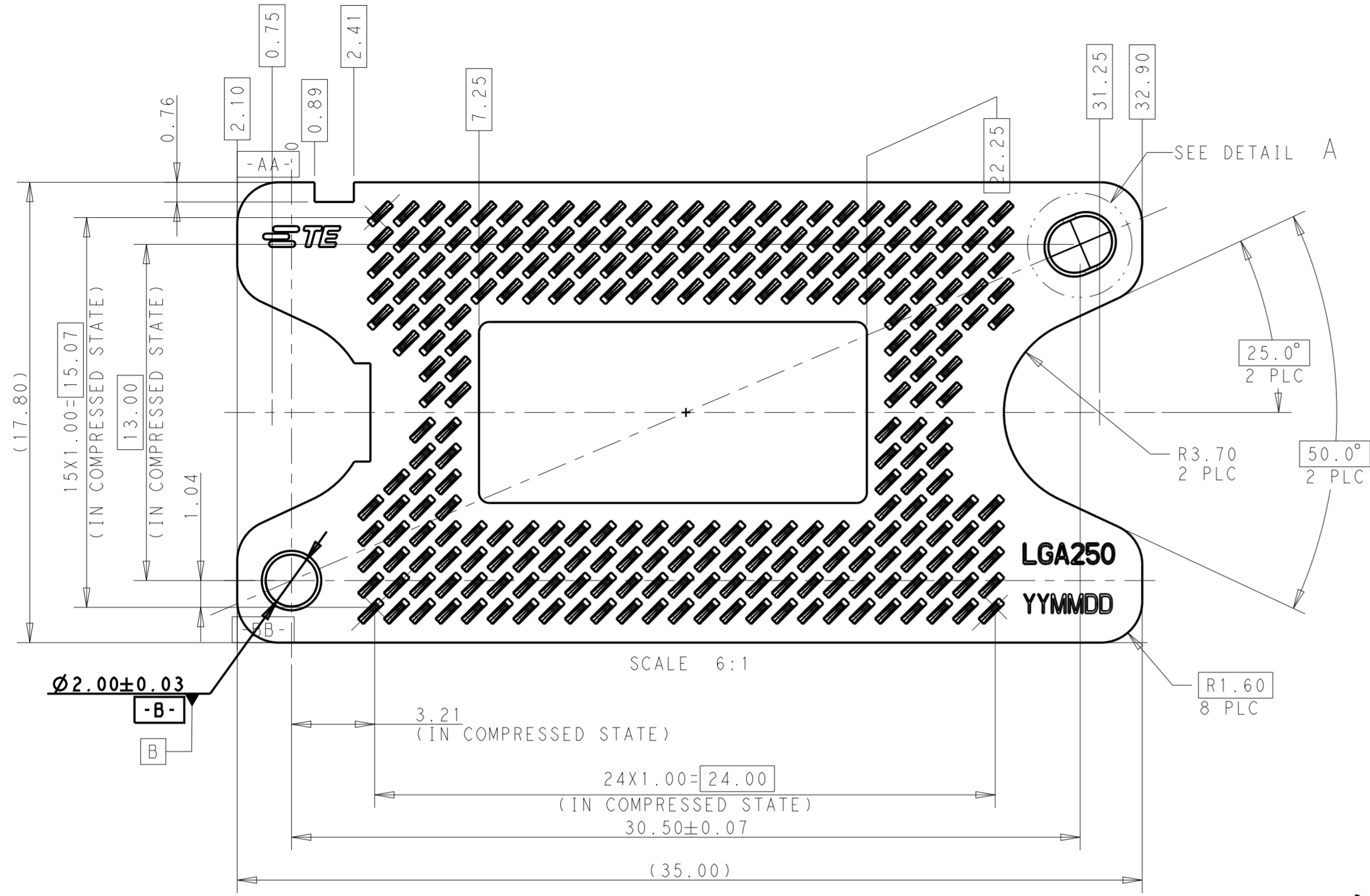


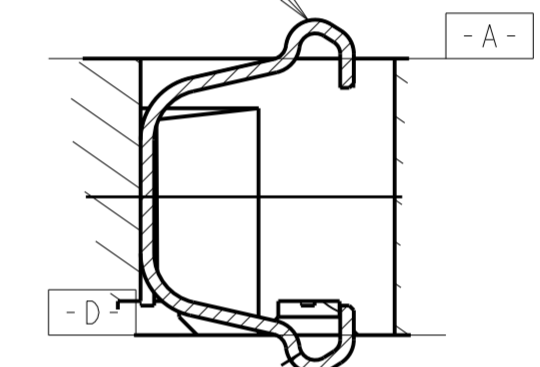
THIS DRAWING IS UNPUBLISHED. RELEASED FOR PUBLICATION 20
 (C) COPYRIGHT 20 BY - ALL RIGHTS RESERVED.

REVISIONS				
P	LTR	DESCRIPTION	DATE	APVD
6		IMPROVE THE HOUSING PIN HOLES	30MAY2019	T.Z B.L



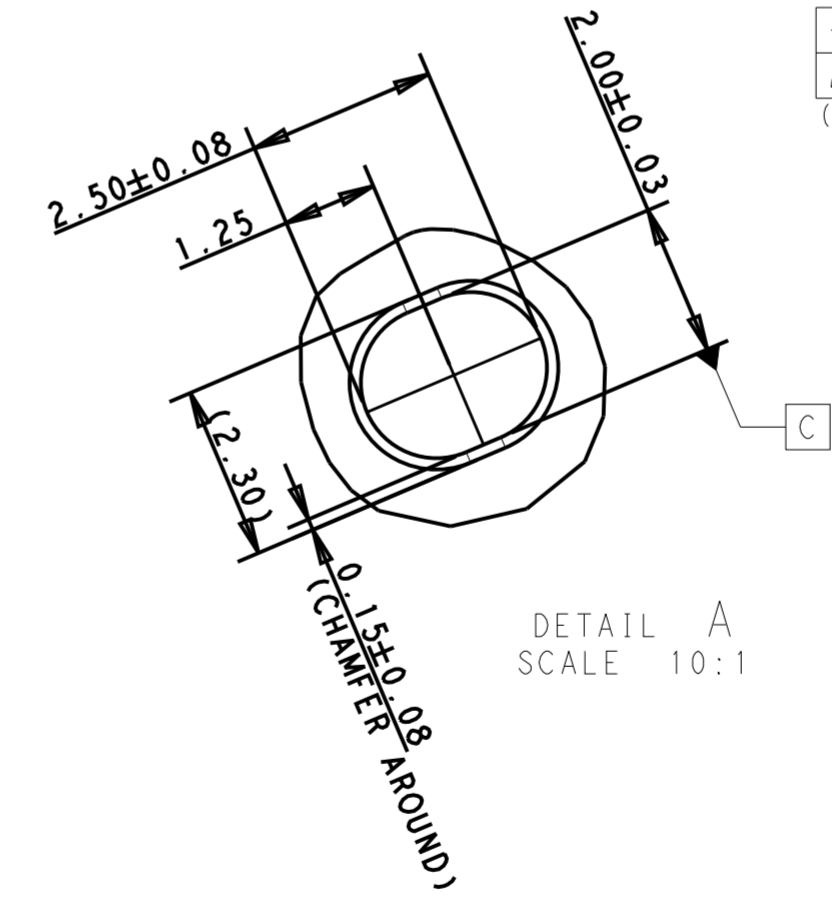
- 1. MATERIAL
 - 1 HOUSING : HIGH TEMP, THERMO-PLASTIC, UL94V-0, BLACK
 - 2 CONTACT : COPPER ALLOY
- 2. FINISH
 - CONTACT : 3u" Au PL. ON CONTACT AREA
 - Ni UNDER PL. 50u" MIN. OVER ALL.
- 3. THICKNESS: 1.219mm AFTER COMPRESSION.
- 4. DIMENSION SHALL BE INTERPRETED PER ASME Y14.5M-1994.
- 5. RECOMMENED CONNECTOR LOADING FORCE: 10Kgf Min.

⊕	∅0.15	A	B	C
⌒	0.15	(250X)		
(DMD CONTACT SIDE)				

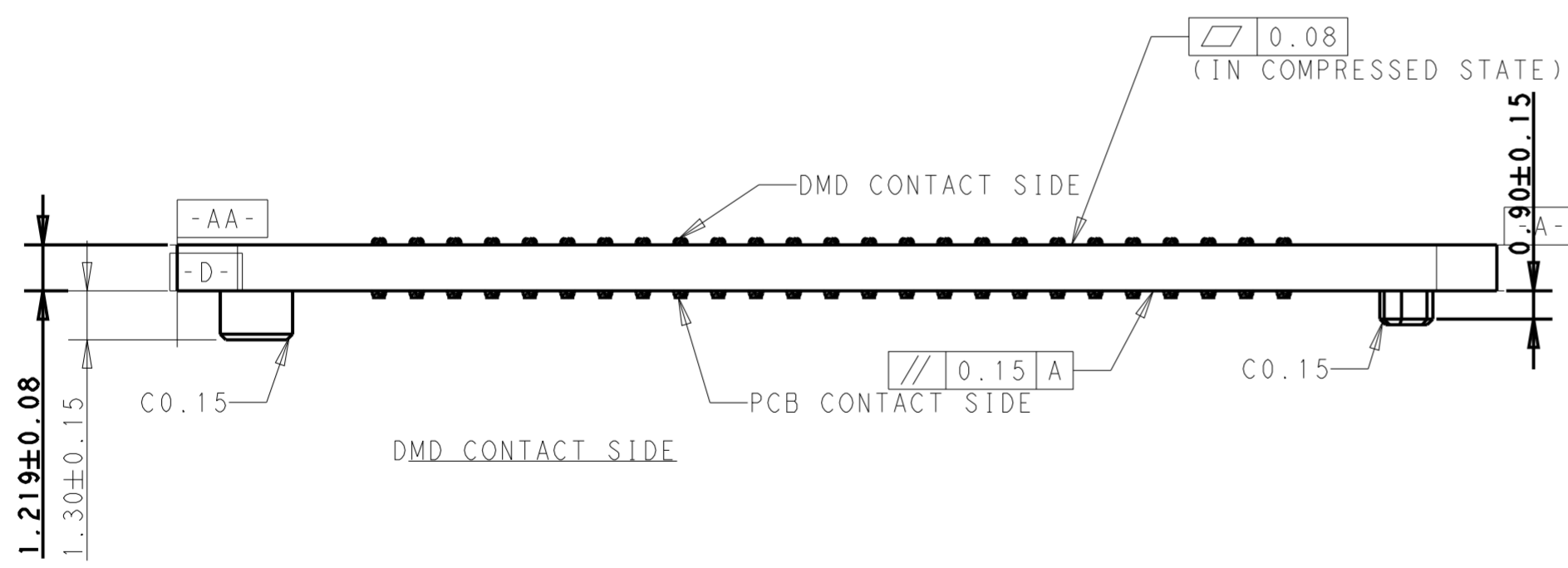


⊕	∅0.15	D	E	F
⌒	0.15	(250X)		
(PCB CONTACT SIDE)				

CONTACT CROSS SECTION DETAIL



DETAIL A
SCALE 10:1



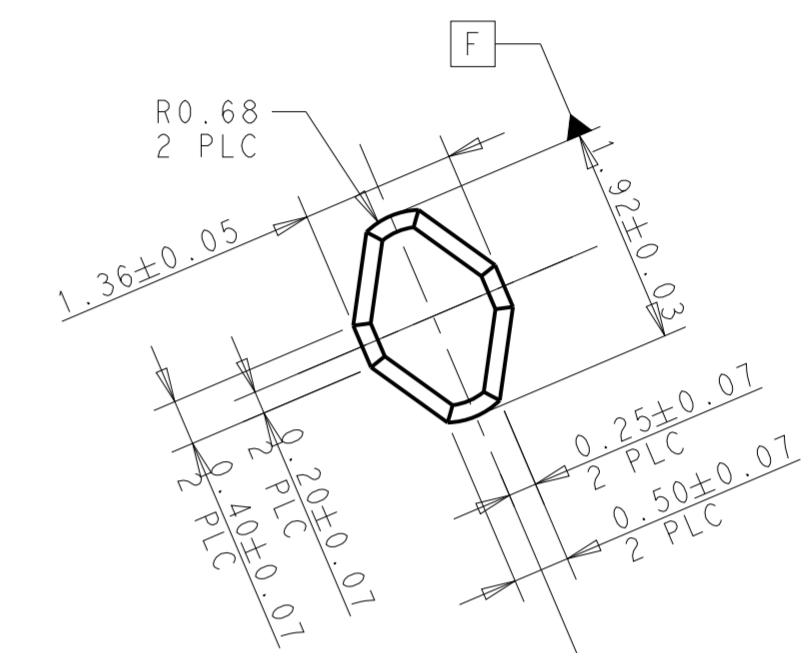
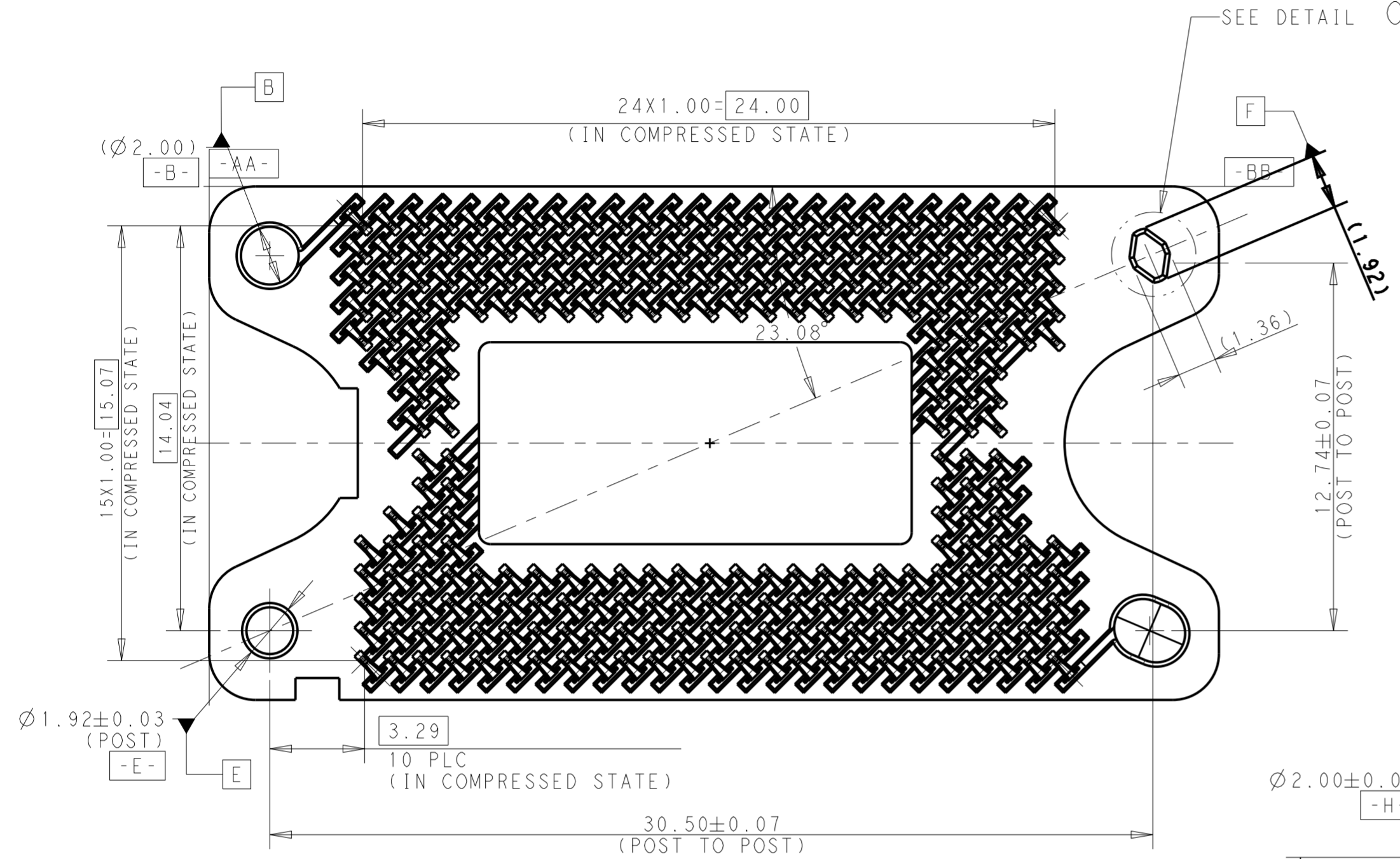
THIS PRINT IS
PRELIMINARY
 UNQUALIFIED PRODUCT
 CONTACT PRODUCT ENGINEERING
 BEFORE USING THIS PRINT

2350616-1	1
PART NO.	ITEM

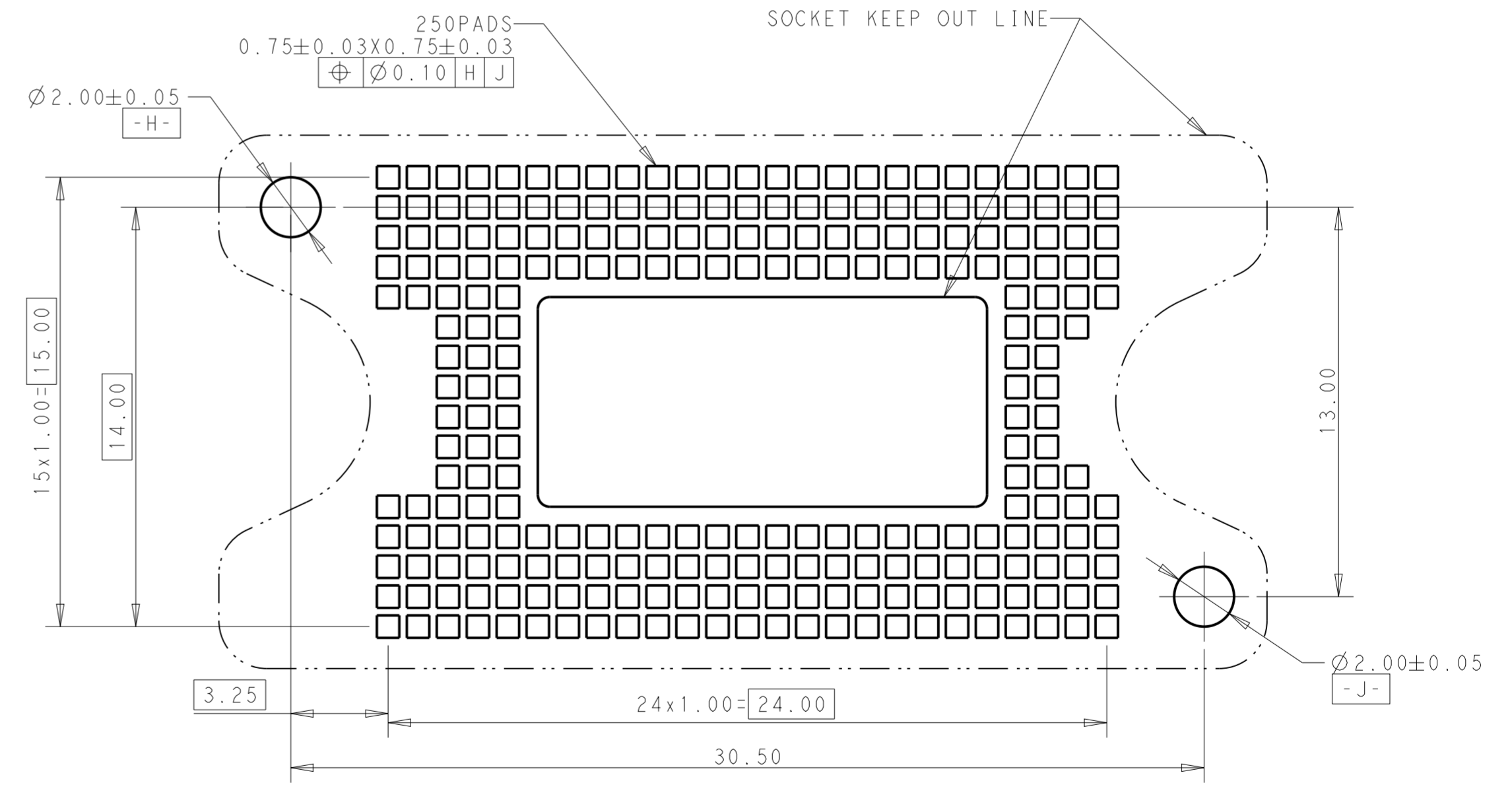
THIS DRAWING IS A CONTROLLED DOCUMENT.		DWN T.Z	10 JAN 2019	TE Connectivity	NAME CUSTOMER DRAWING	
DIMENSIONS: mm		CHK S.L	10 JAN 2019		DMD SOCKET	
TOLERANCES UNLESS OTHERWISE SPECIFIED:		APVD S.L	10 JAN 2019		LGA250	
0 PLC ± 1 PLC ± 2 PLC ±0.10 3 PLC ±0.05 4 PLC ± ANGLES ±1 FINISH -		PRODUCT SPEC -	APPLICATION SPEC -		SIZE A2	CAGE CODE 00779
MATERIAL -		WEIGHT -	CUSTOMER DRAWING	DRAWING NO. C-2350616	RESTRICTED TO	
SCALE 2:1				SHEET 1 OF 2	REV A1	

THIS DRAWING IS UNPUBLISHED. RELEASED FOR PUBLICATION 20
 (C) COPYRIGHT 20 BY - ALL RIGHTS RESERVED.

REVISIONS				
P	LTR	DESCRIPTION	DATE	APVD
-	-	SEE SHEET 1	-	-



DETAIL C
SCALE 15:1



THIS PRINT IS
PRELIMINARY
 UNQUALIFIED PRODUCT
 CONTACT PRODUCT ENGINEERING
 BEFORE USING THIS PRINT

THIS DRAWING IS A CONTROLLED DOCUMENT.		DWN T.Z	10 JAN 2019	 TE Connectivity
DIMENSIONS: mm		CHK S.L	10 JAN 2019	
TOLERANCES UNLESS OTHERWISE SPECIFIED:		APVD S.L	10 JAN 2019	
0 PLC ± 1 PLC ± 2 PLC ±0.10 3 PLC ±0.05 4 PLC ± ANGLES ±1 FINISH -		PRODUCT SPEC	-	
MATERIAL		APPLICATION SPEC	-	NAME CUSTOMER DRAWING DMD SOCKET LGA250
		WEIGHT	-	SIZE CAGE CODE DRAWING NO A200779 C-2350616
		CUSTOMER DRAWING	SCALE 2:1	RESTRICTED TO SHEET 2 OF 2 REV A1