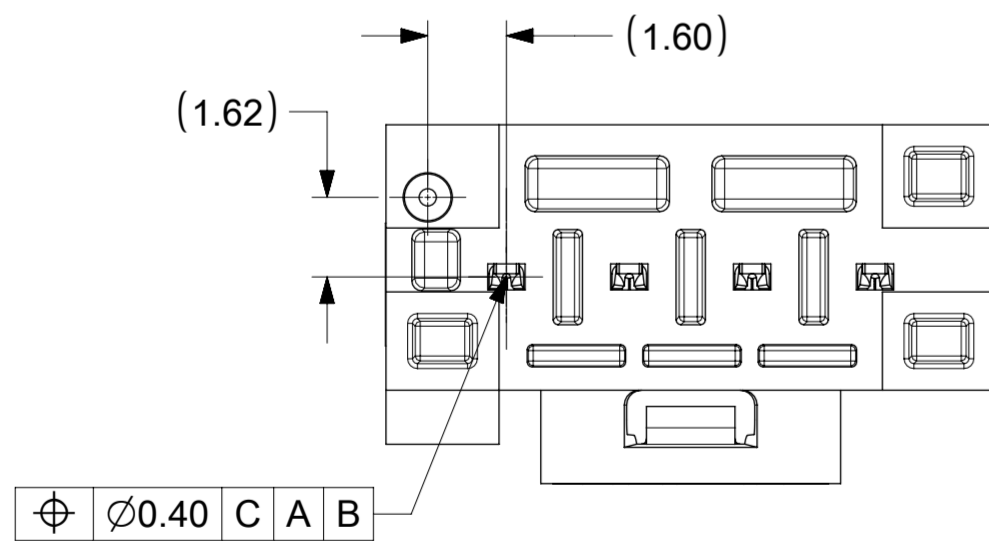
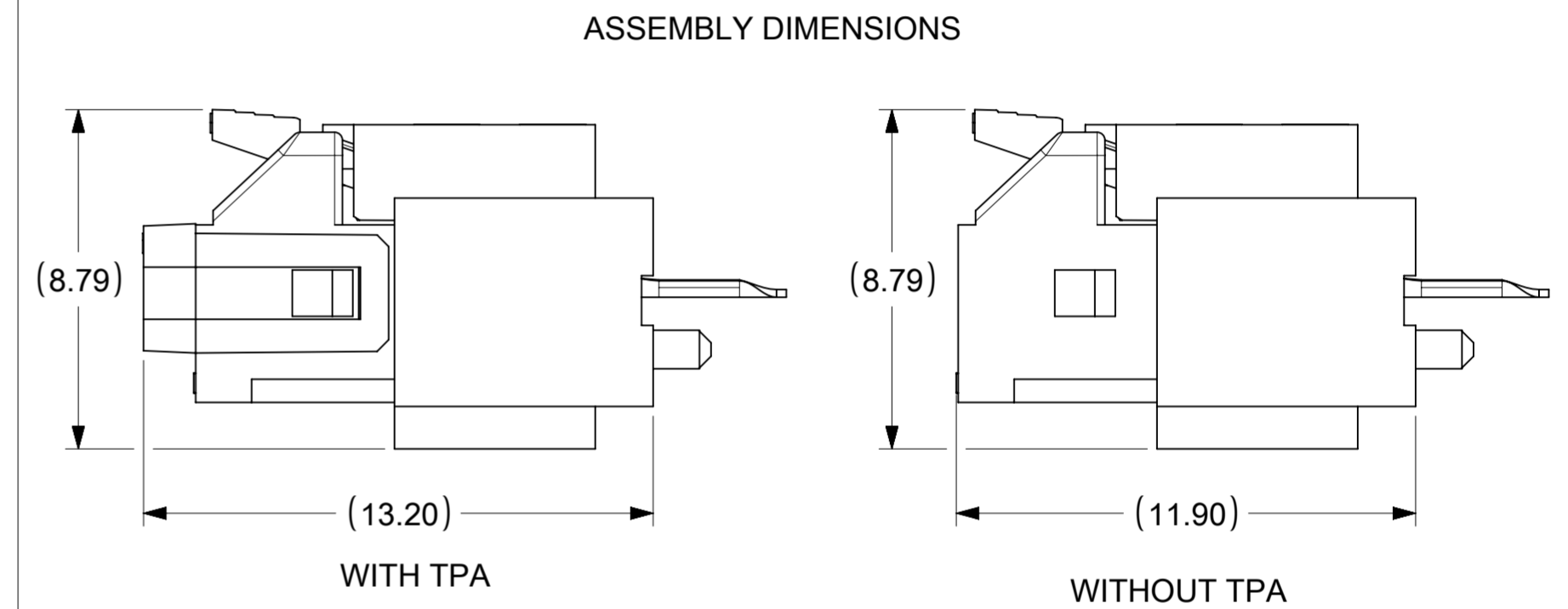
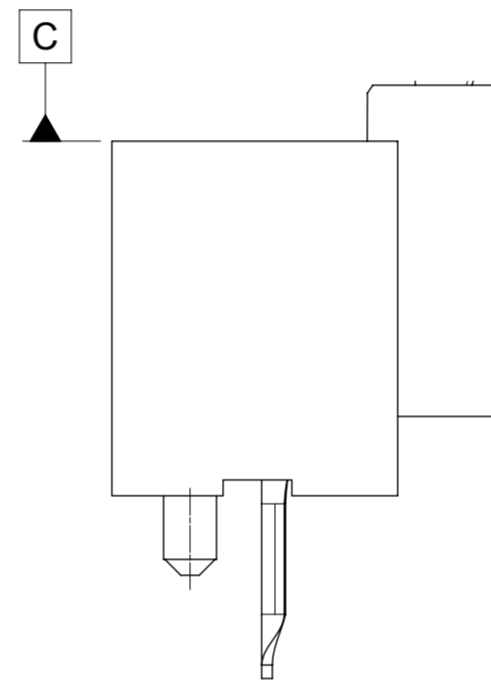
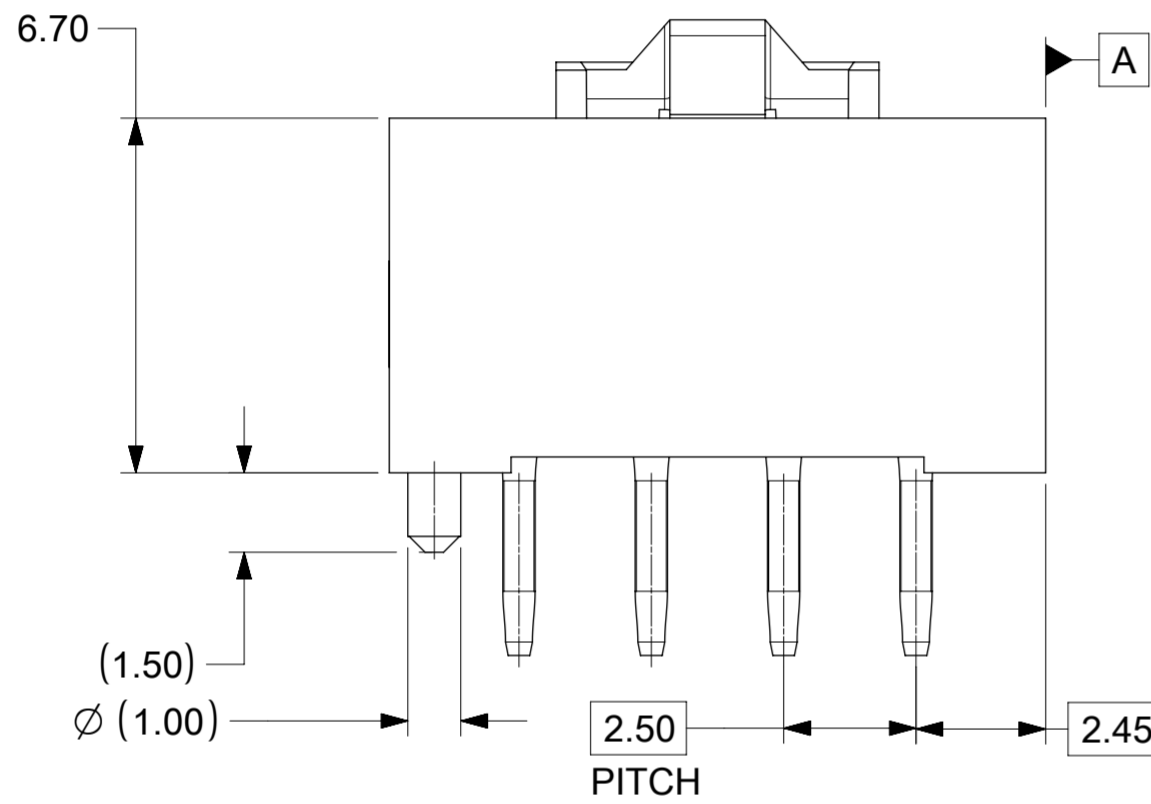


ISOMETRIC VIEW FOR  
4 CKT HEADER ASSEMBLY



- NOTES:**
- MATERIAL:**
    - HOUSING: LIQUID CRYSTAL POLYMER, RATED UL 94V-0, COLOUR - BLACK
    - TERMINAL: BRASS ALLOY PLATING: TIN OVER NICKEL OVERALL.
  - PRODUCT SPECIFICATION: 2079020001-PS
  - PACKAGING SPECIFICATION: 2078430000-PK
  - COSMETIC SPECIFICATION: PS-45499-002 CLASS B

CKT SIZE	HEADER ASSEMBLY P/N	DIM. B
2	2078430002	8.00
3	2078430003	9.90
4	2078430004	12.40
5	2078430005	14.90
6	2078430006	17.40
7	2078430007	19.90
8	2078430008	22.40

SYMBOLS		THIS DRAWING CONTAINS INFORMATION THAT IS PROPRIETARY TO MOLEX ELECTRONIC TECHNOLOGIES, LLC AND SHOULD NOT BE USED WITHOUT WRITTEN PERMISSION	
DIMENSION UNITS	SCALE	CURRENT REV DESC:	
∇ = 0	mm	6:1	
∇ = 0	GENERAL TOLERANCES (UNLESS SPECIFIED)		
∇ = 0	ANGULAR TOL ± °		
∇ = 0	4 PLACES ±	EC NO: 647687	
∇ = 0	3 PLACES ±	DRWN: SHRUTJ	2020/10/22
∇ = 0	2 PLACES ± 0.25	CHK'D: SHRUTJ	2020/10/23
∇ = 0	1 PLACE ± 0.3	APPR: ISHWARG	2020/10/23
∇ = 0	0 PLACES ±	INITIAL REVISION:	
∇ = 0	DRAFT WHERE APPLICABLE MUST REMAIN WITHIN DIMENSIONS	DRWN: SUDAYGUNAGI	2018/06/19
∇ = 0		APPR: ISHWARG	2019/04/16
	THIRD ANGLE PROJECTION	DRAWING	SERIES
		A2-SIZE	207843
		DOCUMENT NUMBER	DOC TYPE   DOC PART   REVISION
		2078430004-SD	PSD   000   A4
		MATERIAL NUMBER	CUSTOMER
			SHEET NUMBER
			1 OF 2

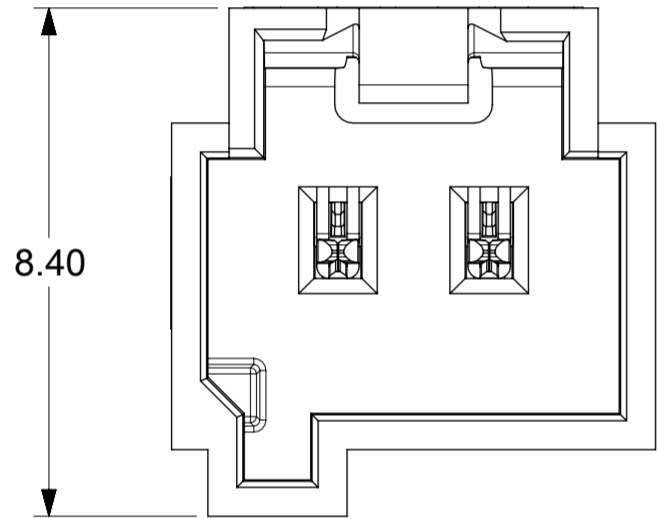
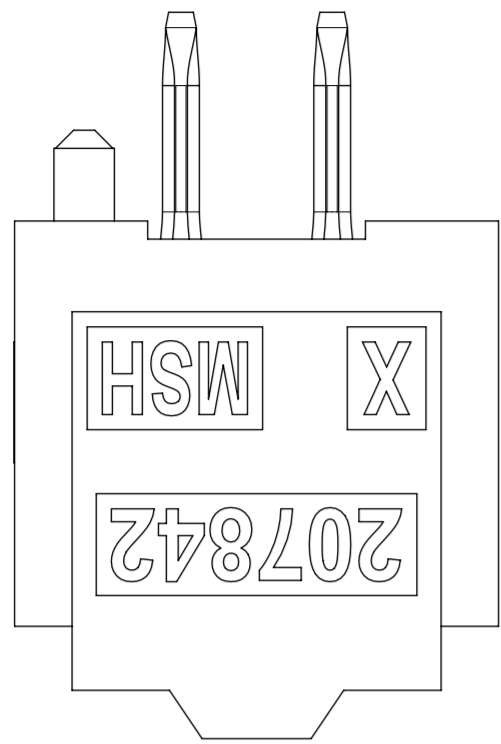
**molex**

HEADER ASSEMBLY FOR L1NK 250

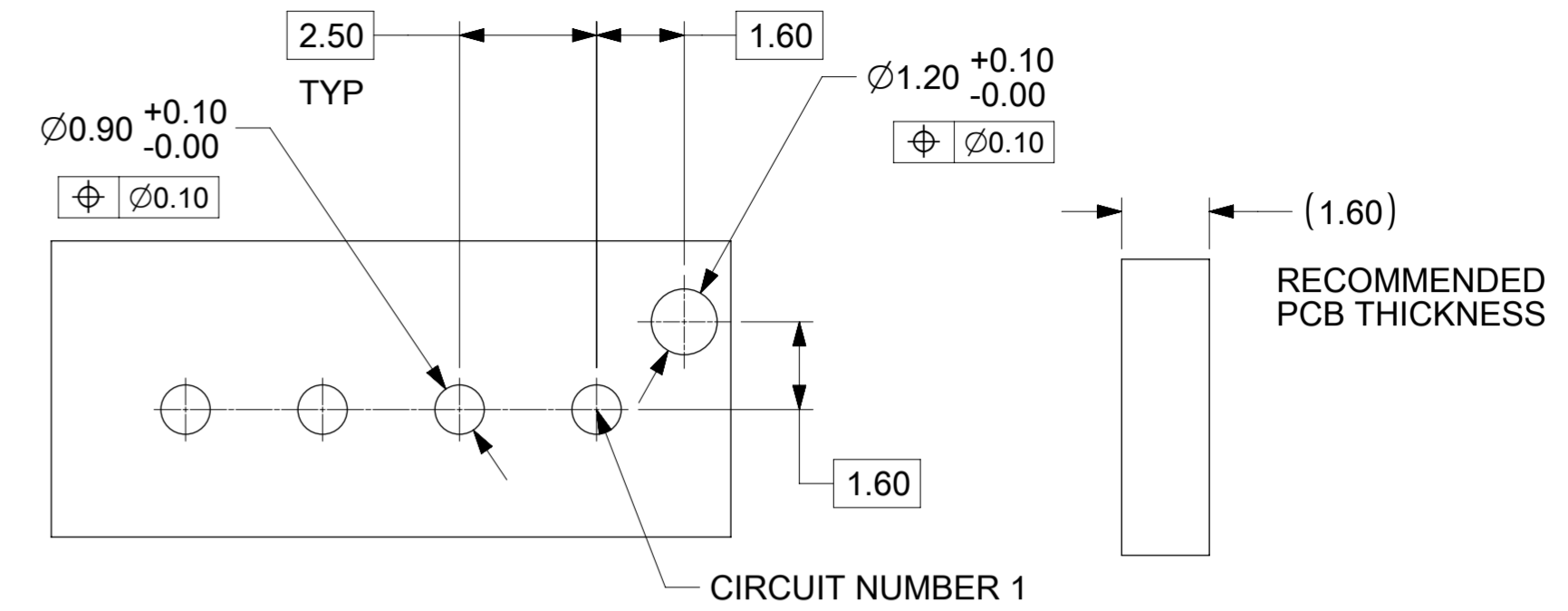
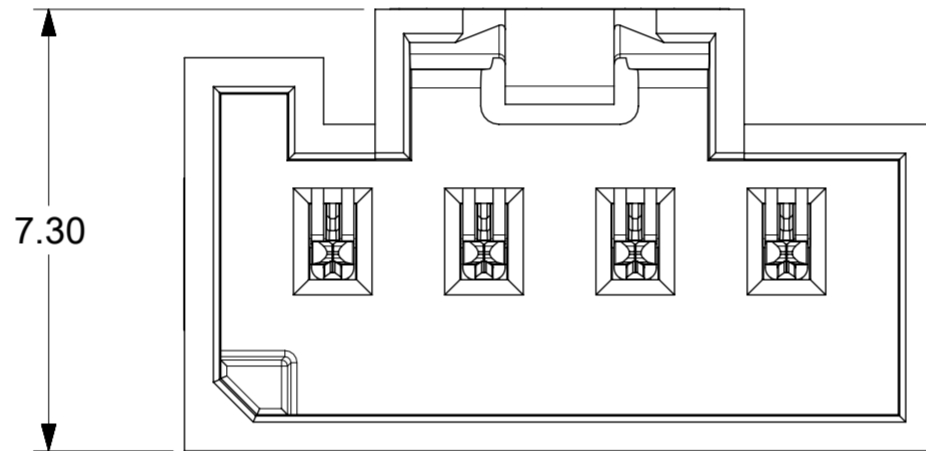
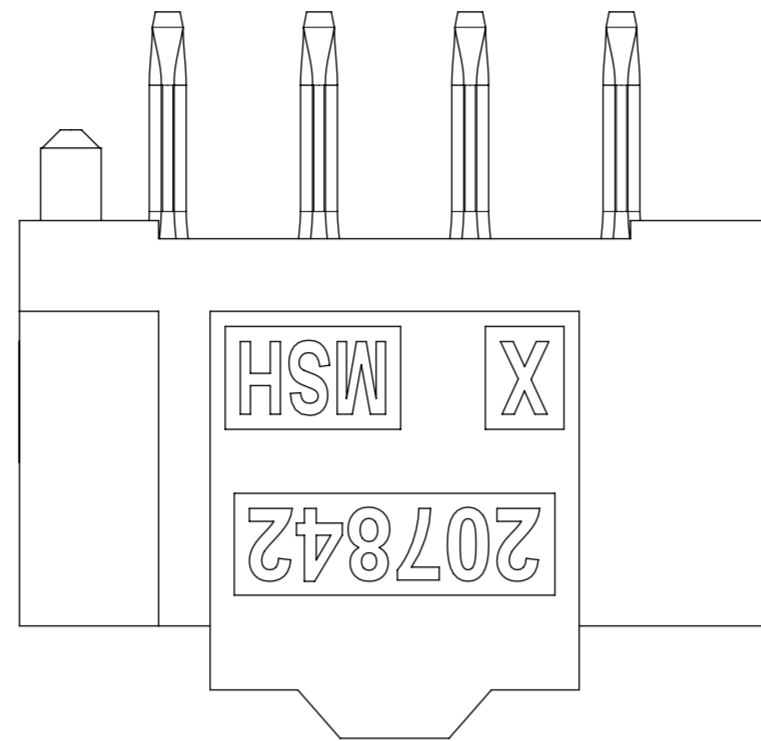
PRODUCT CUSTOMER DRAWING

# POLARIZATION

## 2 & 3CKT

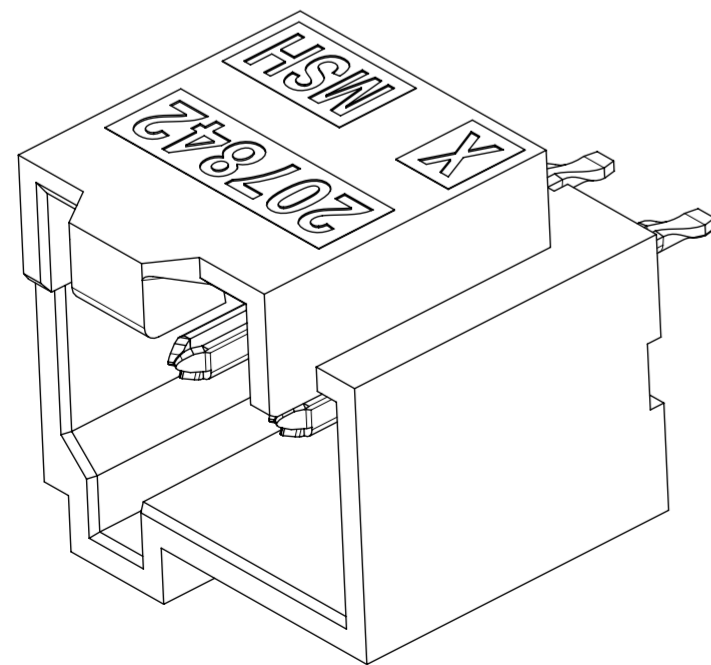


## 4 CKT TO 10 CKT

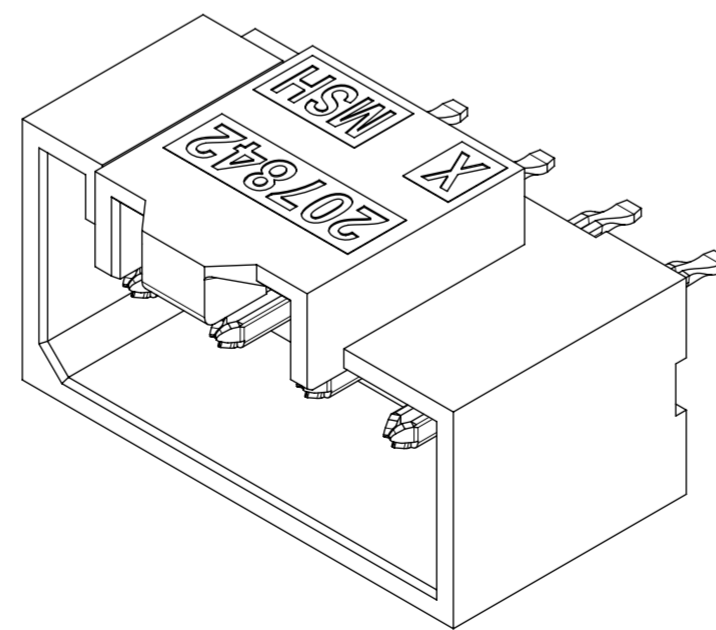


PCB LAYOUT FOR 4CKT HEADER ASSEMBLY  
PCB LAYOUT VIEWED FROM THE MATING SIDE

## ISOMETRIC VIEW FOR 2 & 3CKT



## ISOMETRIC VIEW FOR 4 CKT TO 10 CKT



THIS DRAWING CONTAINS INFORMATION THAT IS PROPRIETARY TO MOLEX ELECTRONIC TECHNOLOGIES, LLC AND SHOULD NOT BE USED WITHOUT WRITTEN PERMISSION													
SYMBOLS	DIMENSION UNITS	SCALE	CURRENT REV DESC:										
	mm	8:1											
▽ = 0	GENERAL TOLERANCES (UNLESS SPECIFIED)		EC NO: 647687										
▽ = 0	ANGULAR TOL ± °		4 PLACES ±			DRWN: SHRUTJ 2020/10/22			2020/10/23				
▽ = 0	4 PLACES ±		3 PLACES ±			CHK'D: SHRUTJ 2020/10/23			2020/10/23				
▽ = 0	3 PLACES ±		2 PLACES ± 0.25			APPR: ISHWARG 2020/10/23			INITIAL REVISION:				
▽ = 0	2 PLACES ± 0.25		1 PLACE ± 0.3			DRWN: SUDAYGUNAGI 2018/06/19			2018/06/19				
▽ = 0	1 PLACE ± 0.3		0 PLACES ±			APPR: ISHWARG 2019/04/16			2019/04/16				
▽ = 0	0 PLACES ±		DRAFT WHERE APPLICABLE MUST REMAIN WITHIN DIMENSIONS		THIRD ANGLE PROJECTION		DRAWING		SERIES		DOCUMENT NUMBER		
▽ = 0					A2-SIZE		207843		2078430004-SD		PSD	000	A4
			MATERIAL NUMBER			CUSTOMER			SHEET NUMBER				
									2 OF 2				



HEADER ASSEMBLY FOR L1NK 250

PRODUCT CUSTOMER DRAWING