

Housing - VC-MEMV-T2-R - 1855144

Please be informed that the data shown in this PDF Document is generated from our Online Catalog. Please find the complete data in the user's documentation. Our General Terms of Use for Downloads are valid (<http://phoenixcontact.com/download>)



Metal sleeve housing, EMC-coating, locking screws with knurled head, with conductive seal, type 2, cable screw connection Pg21

The figure shows version VC-MEMV-T3-R



Key Commercial Data

Packing unit	5 pc
GTIN	
GTIN	4017918159245

Technical data

Dimensions

Height	65 mm
Width	33 mm
Length	74 m

Ambient conditions

Ambient temperature (operation)	-40 °C ... 125 °C
---------------------------------	-------------------

General

Note	When using fiber optics, the bending radii of the cable manufacturers must be observed.
Size	VC2
Locking type	Screw locking, knurled head
Tightening torque, mounting screw	1 Nm ±0.5 Nm
No. of cable outlets	1
Cable outlet	Angled
Type of the screw connection	Pg21
Housing material	Zinc die-cast, surface bronzed and nickel-plated
Seal material	EPDM, conductive

Housing - VC-MEMV-T2-R - 1855144

Technical data

General

Material of locking screw	Nickel-plated brass
Flammability rating according to UL 94	V0

Standards and Regulations

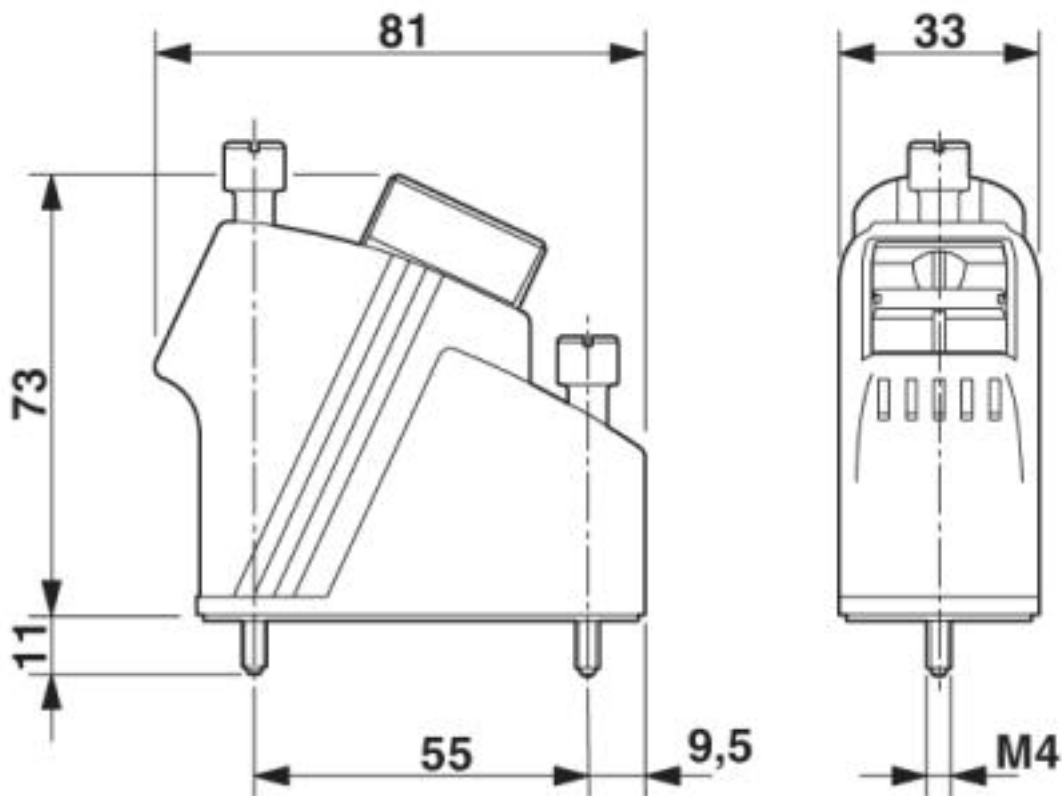
Flammability rating according to UL 94	V0
--	----

Environmental Product Compliance

China RoHS	Environmentally friendly use period: unlimited = EFUP-e
	No hazardous substances above threshold values

Drawings

Dimensional drawing



Approvals

Approvals

Approvals

EAC

Housing - VC-MEMV-T2-R - 1855144

Approvals

Ex Approvals

Approval details

EAC		B.01742
-----	---	---------



Phoenix Contact 2019 © - all rights reserved
<http://www.phoenixcontact.com>

PHOENIX CONTACT GmbH & Co. KG
Flachsmarktstr. 8
32825 Blomberg
Germany
Tel. +49 5235 300
Fax +49 5235 3 41200
<http://www.phoenixcontact.com>