

MATERIALS AND FINISHES:

HOUSING: ZINC ALLOY / PLATED SEE TABLE

CENTER CONTACT: BRASS / PLATED GOLD

INSULATOR: TEFLON

OUTER CONTACT: BERYLLIUM COPPER / PLATED SEE TABLE

FERRULE: BRASS / PLATED SEE TABLE

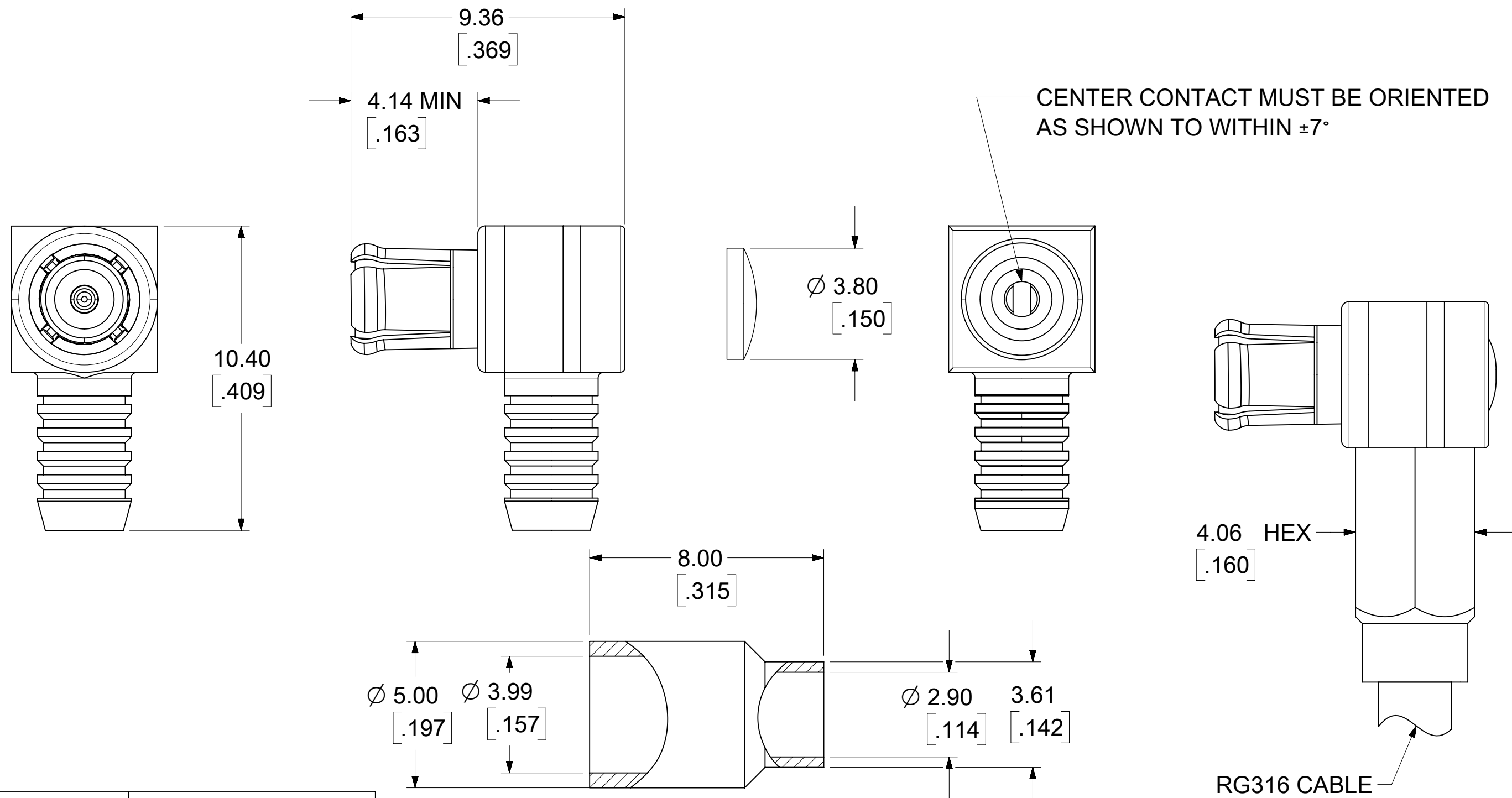
CAP: STAINLESS STEEL (FOR 73366-0010/-0019)
PASSIVATED

CAP: BRASS (FOR 73366-0011/-0012/-0017/-6350)
PLATED GOLD

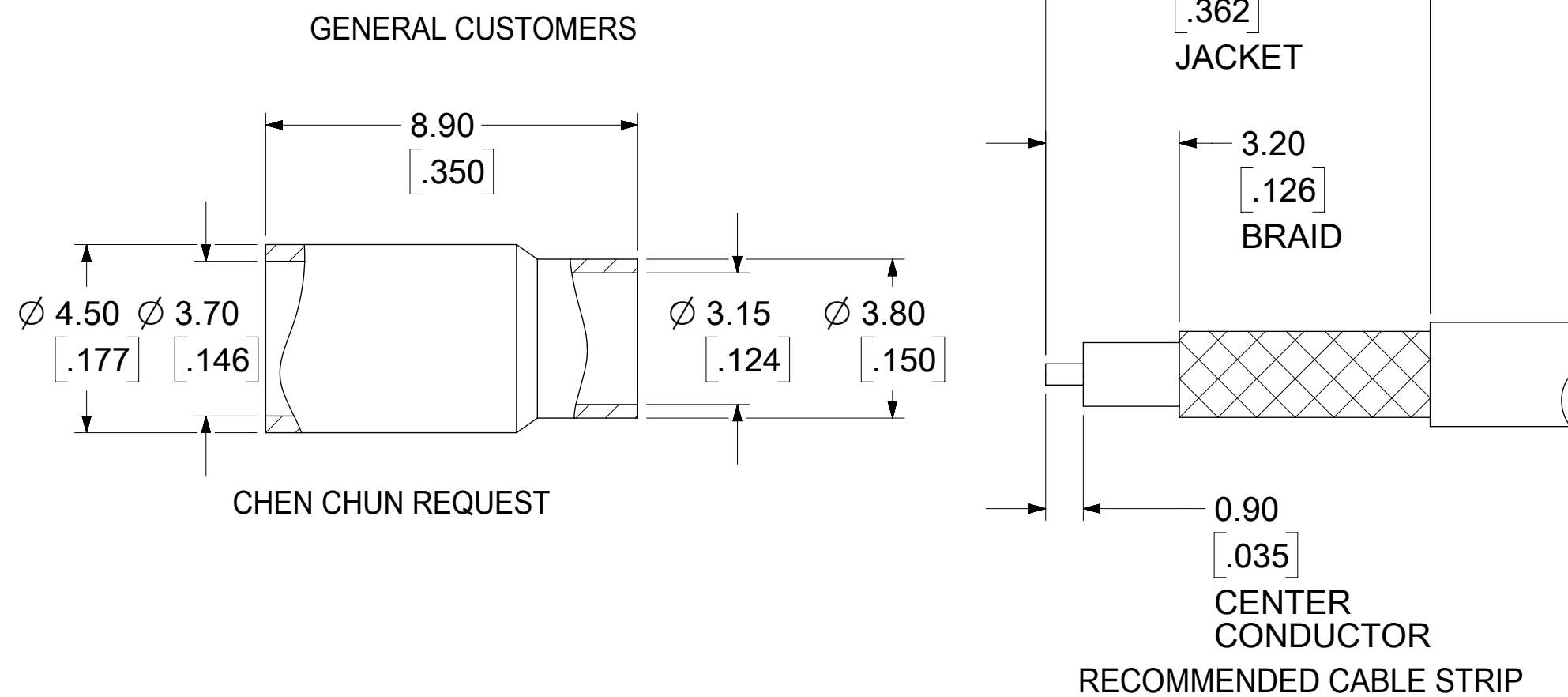
NOTE:

73366-0011'S FERRULE FOR GENERAL CUSTOMERS

73366-0012'S FERRULE FOR CHEN CHUN REQUEST



73366-6350	GOLD PLATING, BULK PACK	GOLD 30μ-in	GOLD 30μ-in
73366-0019	NICKEL PLATING, BULK PACK	NICKEL 100μ-in	GOLD 10μ-in
73366-0018	BULK, 73366-0010 W/O FERRULE	GOLD 5μ-in	GOLD 10μ-in
73366-0017	GOLD PLATING, BULK PACK	GOLD 5μ-in	GOLD 10μ-in
73366-0016	73366-0012, SMALL TRAY	GOLD 5μ-in	GOLD 10μ-in
73366-0015	73366-0011, SMALL TRAY	GOLD 5μ-in	GOLD 10μ-in
73366-0014	73366-0010, SMALL TRAY	GOLD 5μ-in	GOLD 10μ-in
73366-0013	1 PIECE 73366-0010 PER BAG	GOLD 5μ-in	GOLD 10μ-in
73366-0012	GOLD PLATING, BULK PACK	GOLD 5μ-in	GOLD 10μ-in
73366-0011	GOLD PLATING, BULK PACK	GOLD 5μ-in	GOLD 10μ-in
73366-0010	NICKEL PLATING, BULK PACK	GOLD 5μ-in	GOLD 10μ-in
PART NO.	BODY PLATING & PACKAGING	OUTER CONTACT	CENTER CONTACT



73392-0050	ASSEMBLY INSTRUCTIONS FOR 73366-0010/0011
PS-89675-1830	PRODUCT SPECIFICATION
SPECIFICATION	DESCRIPTION

FUNCTIONAL SYMBOLS	THIS DRAWING CONTAINS INFORMATION THAT IS PROPRIETARY TO MOLEX ELECTRONIC TECHNOLOGIES, LLC AND SHOULD NOT BE USED WITHOUT WRITTEN PERMISSION			
$\nabla_A = 0$ $\nabla_C = 0$ $\nabla_P = 0$	DIMENSION UNITS: HYBRID SCALE: NTS	CURRENT REV DESC: ADD ASSEMBLY INSTRUCTION NOTE PER EWR15198-A EC NO: 706398 DRWN: CWEI02 CHK'D: YCHENG APPR: YCHENG		
DIVISIONAL SYMBOLS	GENERAL TOLERANCES (UNLESS SPECIFIED) ANGULAR TOL ± 2.0° 4 PLACES ± 3 PLACES ± 2 PLACES ± 1 PLACE ± 0 PLACES ±	DRAFT WHERE APPLICABLE MUST REMAIN WITHIN DIMENSIONS THIRD ANGLE PROJECTION DRAWING: C-SIZE SERIES: 73366	INITIAL REVISION: DRWN: YCHENG APPR: MISEN 2005/03/15 2003/02/21	PRODUCT CUSTOMER DRAWING DOCUMENT NUMBER: SD-73366-001 DOC TYPE: PSD DOC PART: 001 REVISION: G11
DOCUMENT STATUS: P1 RELEASE DATE: 2022/05/17 03:07:36	MATERIAL NUMBER: SEE TABLE CUSTOMER: GENERAL MARKET	SHEET NUMBER: 1 OF 1		