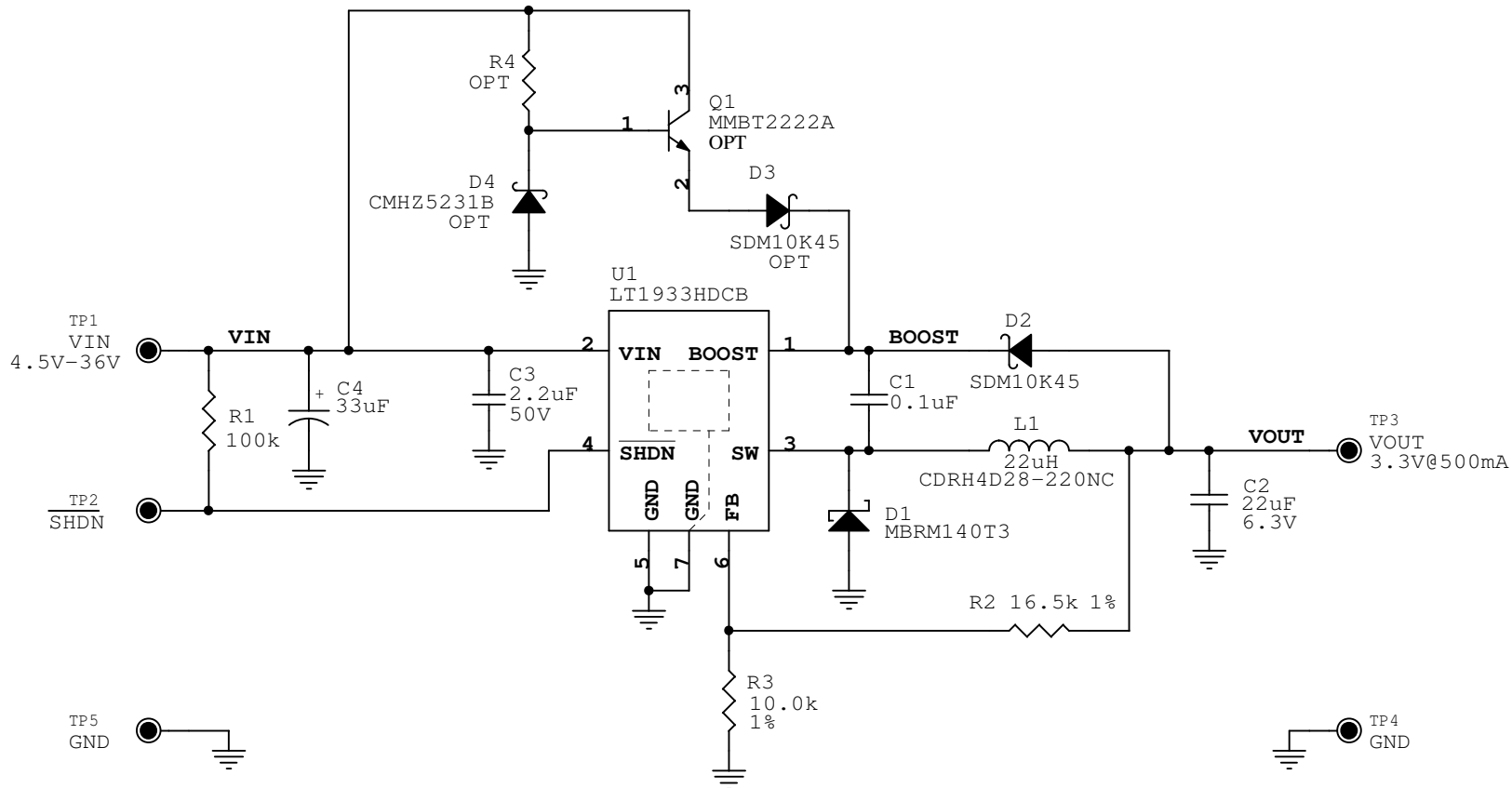


This circuit is proprietary to Linear Technology and supplied for use with Linear Technology parts.

Customer Notice: Linear Technology has made a best effort to design a circuit that meets customer-supplied specifications; however, it remains the customer's responsibility to verify proper and reliable operation in the actual application. Component substitution and printed circuit board layout may significantly affect circuit performance or reliability. Contact Linear Applications Engineering for assistance.

| REVISION HISTORY | | | | |
|------------------|-----|-------------|----------|----------|
| ECO | REV | DESCRIPTION | DATE | APPROVED |
| | 2 | PROTO | 09/20/06 | |
| | | | | |



| | |
|--------------------------|----------|
| CONTRACT NO. | |
| APPROVALS | DATE |
| DRAWN MI | 03/31/06 |
| CHECKED | |
| APPROVED | |
| ENGINEER | |
| DESIGNER | |
| Monday, October 02, 2006 | |



1630 McCarthy Blvd.
 Milpitas, CA 95035
 Phone: (408)432-1900
 Fax: (408)434-0507

| | | | |
|-------------------------------------------------------------|-----------|-----------------------|--------------|
| TITLE | | | |
| SCH, LT1933HDCB, 36V 500kHz H-GRADE DFN STEP-DOWN REGULATOR | | | |
| SIZE | CAGE CODE | DWG NO | REV |
| A | | DC1092A | 2 |
| SCALE: NONE | | FILENAME: 1092A-2.DSN | SHEET 1 OF 1 |