

## Evaluating the GaAs, pHEMT, MMIC, Single Positive Supply, DC to 10 GHz Power Amplifier

### FEATURES

**Dual-layer Rogers 4350 evaluation board with heat sink**  
**End launch, 2.9 mm, RF connectors**  
**Through calibration path**

### EVALUATION KIT CONTENTS

**ADPA9002-EVALZ evaluation board**

### EQUIPMENT NEEDED

**RF signal generator**  
**RF spectrum analyzer**  
**RF network analyzer**  
**12 V and 1 A power supply**  
**–2 V and 100 mA power supply**

### GENERAL DESCRIPTION

The ADPA9002-EVALZ consists of a dual-layer printed circuit board (PCB) fabricated from 10 mil thick, Rogers 4350B, copper clad mounted to an aluminum heat sink. The heat sink assists in providing thermal relief to the [ADPA9002](#) as well as mechanical support to the PCB. Mounting holes on the heat sink allow attachment to larger heat sinks for improved thermal management. The RFIN and RFOUT ports on the ADPA9002-EVALZ are populated with 2.9 mm, female, coaxial connectors (J1 and J2) and the corresponding RF traces have a 50  $\Omega$  characteristic impedance. The ADPA9002-EVALZ is populated with components suitable for use over the entire –40°C to

+85°C operating temperature range of the [ADPA9002](#). To calibrate board trace losses, a through calibration path is provided between the J5 and J6 connectors. J5 and J6 must be populated with RF connectors to use the through calibration path. Refer to Table 2 and Figure 3 for the through calibration path performance.

The device ground path and gate control voltage are accessed through the 4-pin headers, J3 and J4 (see Table 1 for header connections).

The RF traces on the ADPA9002-EVALZ are 50  $\Omega$ , grounded coplanar waveguide. The package ground leads and the exposed pad connect directly to the ground plane. Multiple vias connect the top and bottom ground planes with particular focus on the area directly beneath the ground paddle to provide adequate electrical conduction and thermal conduction to the heat sink.

The power supply decoupling capacitors on the ADPA9002-EVALZ represent the configuration that was used to characterize and qualify the device. A scope can be used to reduce the number of capacitors, but the scope varies from system to system. It is recommended to first remove or combine the largest capacitors that are farthest from the [ADPA9002](#) when modifying the capacitor configurations.

For full details on the [ADPA9002](#), see the [ADPA9002](#) data sheet, which must be consulted in conjunction with this user guide when using the ADPA9002-EVALZ.

**TABLE OF CONTENTS**

Features .....	1	Power-Up.....	4
Evaluation Kit Contents.....	1	Power-Down .....	4
Equipment Needed.....	1	Evaluation Board Schematic and Artwork.....	5
General Description .....	1	Ordering Information.....	6
Revision History .....	2	Bill of Materials.....	6
Evaluation Board Photographs .....	3		
Operating the ADPA9002-EVALZ.....	4		

**REVISION HISTORY**

**7/2020—Rev. 0 to Rev. A**

Changed Operating the ADPA7006-EVALZ Section Heading to Operating the ADPA9002-EVALZ..... 4

**10/2019—Revision 0: Initial Version**

## EVALUATION BOARD PHOTOGRAPHS



Figure 1. ADPA9002-EVALZ Primary Side



Figure 2. ADPA9002-EVALZ Secondary Side

## OPERATING THE ADPA9002-EVALZ

The ADPA9002 operates in either self biased mode or externally biased mode. Ground the  $V_{GG1}$  pin through the J4 headers to operate in self biased mode. To operate in externally biased mode, adjust the  $V_{GG1}$  voltage through the J4 headers to be from  $-2\text{ V}$  to  $+0.5\text{ V}$  to set the desired quiescent current ( $I_{DQ}$ ).

### POWER-UP

The biasing sequence to use for self biased operation during power-up is as follows:

1. Connect all device GND pins to dc ground and RF ground.
2. Set the drain voltage to  $12\text{ V}$  through the RFOUT/ $V_{DD}$  pin.
3. Apply the RF signal through the RFIN port.

The biasing sequence to use for externally biased operation during power-up is as follows:

1. Connect all device GND pins to dc ground and RF ground.
2. Set the gate voltage to  $-2\text{ V}$  through the  $V_{GG1}$  pin.
3. Set the RFOUT/ $V_{DD}$  voltage to  $12\text{ V}$ .
4. Gradually adjust the  $V_{GG1}$  voltage to achieve the  $I_{DQ}$ .
5. Apply the RF signal through the RFIN port.

### POWER-DOWN

The biasing sequence to use for self biased operation during power-down is as follows:

1. Turn off the RF signal.
2. Set the RFOUT/ $V_{DD}$  voltage to  $0\text{ V}$ .

The biasing sequence to use for externally biased operation during power-down is as follows:

1. Turn off the RF signal.
2. Decrease the  $V_{GG1}$  voltage to  $-2\text{ V}$  to achieve a typical  $I_{DQ}$  of  $0\text{ mA}$ .
3. Set the RFOUT/ $V_{DD}$  voltage to  $0\text{ V}$ .
4. Set the  $V_{GG1}$  pin voltage to  $0\text{ V}$ .

Table 1. J3 and J4 Header Connections to ADPA9002

Connector	Header	ADPA9002 Pin
J3	1, 2, 3, 4	Not connected
J4	2, 4	GND
J4	1, 3	$V_{GG1}$

Table 2. Insertion Loss of Through Calibration Path

Frequency (GHz)	Insertion Loss (dB)
0.01	0.00
0.160	-0.07
1	-0.24
2	-0.36
3	-0.48
4	-0.45
5	-0.5
6	-0.55
7	-0.61
8	-0.64
9	-0.65
10	-0.65

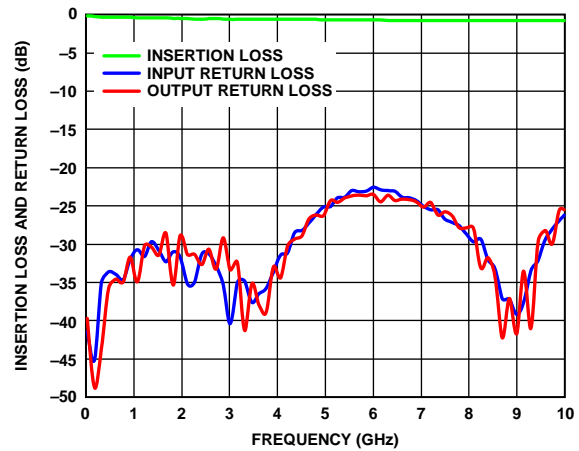


Figure 3. Insertion Loss and Return Loss of Through Calibration Path

EVALUATION BOARD SCHEMATIC AND ARTWORK

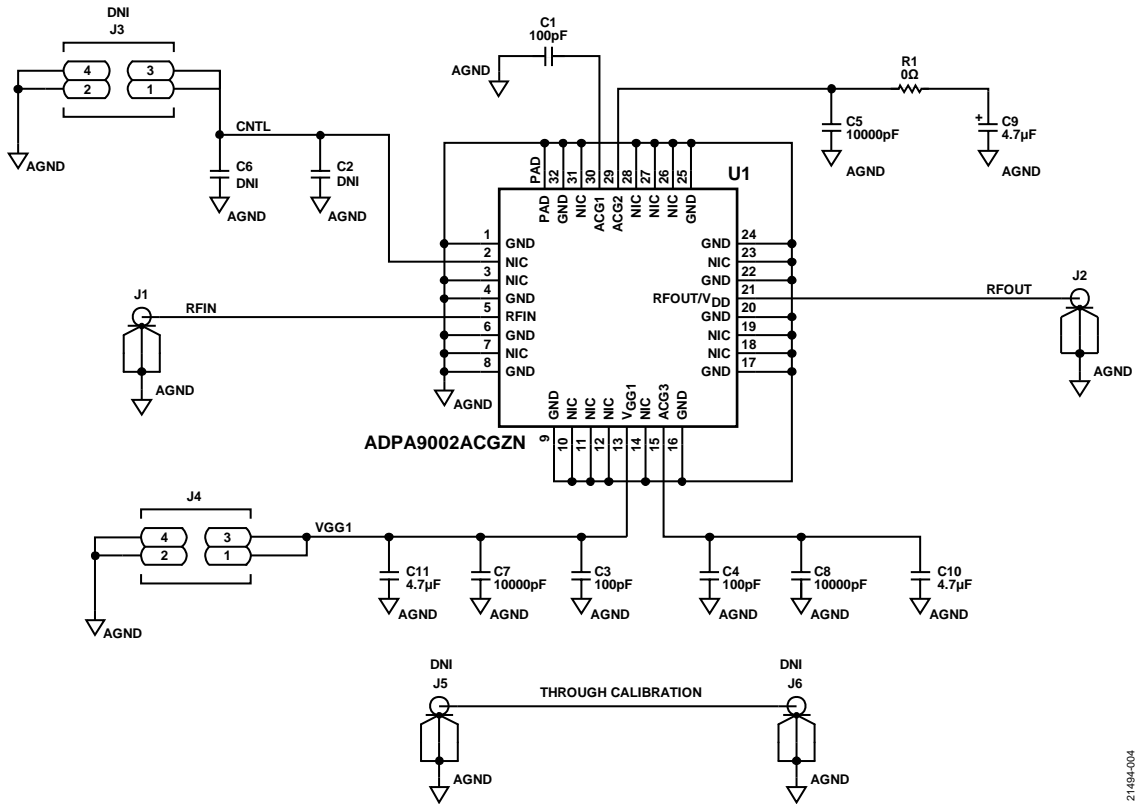


Figure 4. ADPA9002-EVALZ Schematic

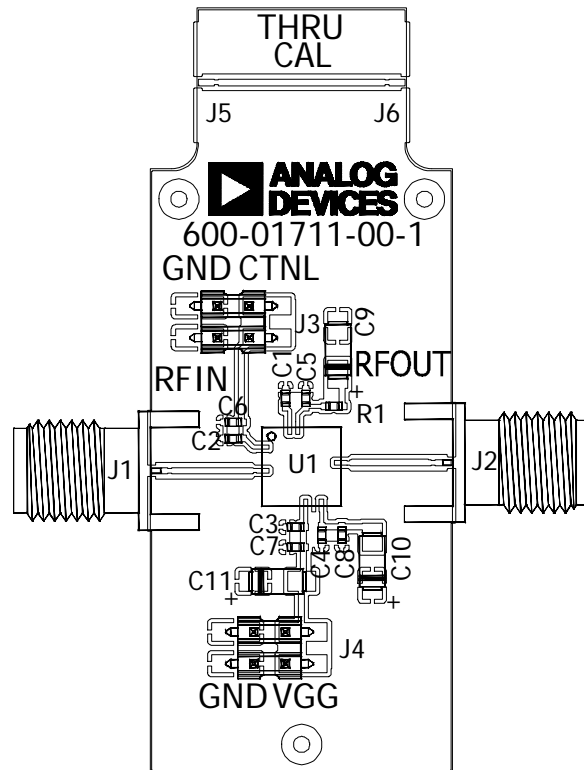


Figure 5. ADPA9002-EVALZ Assembly Drawing (J3, J5, and J6 Not Installed)

## ORDERING INFORMATION

## BILL OF MATERIALS

Table 3.

Reference Designator	Description	Manufacturer	Part Number
C1, C3, C4	Ceramic capacitors, 100 pF	Johanson Dielectrics	500R07N101JV4T
C2, C6	Ceramic capacitors, not installed	Not applicable	Not applicable
C9, C10, C11	Tantalum capacitors, 4.7 $\mu$ F	AVX	TAJA475K020RNJ
C5, C7, C8	Ceramic capacitors, multilayer, X8R, 10000 pF	Murata	GRM155R71H103KA88D
J1, J2	Connectors, 2.9 mm, jack edge	SRI Connector Gage Co.	25-146-1000-92
J3	Connector, PCB header, vertical, dual row, 4-position, 2 mm pitch, not installed	Molex	87759-0414
J4	Connector, PCB header, vertical, dual-row, 4-position, 2 mm pitch	Molex	87759-0414
J5, J6	Connectors, 2.9 mm, jack edge, not installed	SRI Connector Gage Co.	25-146-1000-92
R1	Resistor, 0402, surface-mount device (SMD) chip jumper, 0 $\Omega$	Panasonic	ERJ-2GEJ104X
U1	Gallium arsenide (GaAs), pseudomorphic high electron mobility transistor (pHEMT), monolithic microwave integrated circuit (MMIC), dc to 10 GHz, power amplifier	Analog Devices, Inc.	ADPA9002ACGZN
Not Applicable	Aluminum heatsink, 0.75 in $\times$ 1.9 in	Not applicable	Not applicable

**ESD Caution**

**ESD (electrostatic discharge) sensitive device.** Charged devices and circuit boards can discharge without detection. Although this product features patented or proprietary protection circuitry, damage may occur on devices subjected to high energy ESD. Therefore, proper ESD precautions should be taken to avoid performance degradation or loss of functionality.

**Legal Terms and Conditions**

By using the evaluation board discussed herein (together with any tools, components documentation or support materials, the "Evaluation Board"), you are agreeing to be bound by the terms and conditions set forth below ("Agreement") unless you have purchased the Evaluation Board, in which case the Analog Devices Standard Terms and Conditions of Sale shall govern. Do not use the Evaluation Board until you have read and agreed to the Agreement. Your use of the Evaluation Board shall signify your acceptance of the Agreement. This Agreement is made by and between you ("Customer") and Analog Devices, Inc. ("ADI"), with its principal place of business at One Technology Way, Norwood, MA 02062, USA. Subject to the terms and conditions of the Agreement, ADI hereby grants to Customer a free, limited, personal, temporary, non-exclusive, non-sublicensable, non-transferable license to use the Evaluation Board FOR EVALUATION PURPOSES ONLY. Customer understands and agrees that the Evaluation Board is provided for the sole and exclusive purpose referenced above, and agrees not to use the Evaluation Board for any other purpose. Furthermore, the license granted is expressly made subject to the following additional limitations: Customer shall not (i) rent, lease, display, sell, transfer, assign, sublicense, or distribute the Evaluation Board; and (ii) permit any Third Party to access the Evaluation Board. As used herein, the term "Third Party" includes any entity other than ADI, Customer, their employees, affiliates and in-house consultants. The Evaluation Board is NOT sold to Customer; all rights not expressly granted herein, including ownership of the Evaluation Board, are reserved by ADI. CONFIDENTIALITY. This Agreement and the Evaluation Board shall all be considered the confidential and proprietary information of ADI. Customer may not disclose or transfer any portion of the Evaluation Board to any other party for any reason. Upon discontinuation of use of the Evaluation Board or termination of this Agreement, Customer agrees to promptly return the Evaluation Board to ADI. ADDITIONAL RESTRICTIONS. Customer may not disassemble, decompile or reverse engineer chips on the Evaluation Board. Customer shall inform ADI of any occurred damages or any modifications or alterations it makes to the Evaluation Board, including but not limited to soldering or any other activity that affects the material content of the Evaluation Board. Modifications to the Evaluation Board must comply with applicable law, including but not limited to the RoHS Directive. TERMINATION. ADI may terminate this Agreement at any time upon giving written notice to Customer. Customer agrees to return to ADI the Evaluation Board at that time. LIMITATION OF LIABILITY. THE EVALUATION BOARD PROVIDED HEREUNDER IS PROVIDED "AS IS" AND ADI MAKES NO WARRANTIES OR REPRESENTATIONS OF ANY KIND WITH RESPECT TO IT. ADI SPECIFICALLY DISCLAIMS ANY REPRESENTATIONS, ENDORSEMENTS, GUARANTEES, OR WARRANTIES, EXPRESS OR IMPLIED, RELATED TO THE EVALUATION BOARD INCLUDING, BUT NOT LIMITED TO, THE IMPLIED WARRANTY OF MERCHANTABILITY, TITLE, FITNESS FOR A PARTICULAR PURPOSE OR NON-INFRINGEMENT OF INTELLECTUAL PROPERTY RIGHTS. IN NO EVENT WILL ADI AND ITS LICENSORS BE LIABLE FOR ANY INCIDENTAL, SPECIAL, INDIRECT, OR CONSEQUENTIAL DAMAGES RESULTING FROM CUSTOMER'S POSSESSION OR USE OF THE EVALUATION BOARD, INCLUDING BUT NOT LIMITED TO LOST PROFITS, DELAY COSTS, LABOR COSTS OR LOSS OF GOODWILL. ADI'S TOTAL LIABILITY FROM ANY AND ALL CAUSES SHALL BE LIMITED TO THE AMOUNT OF ONE HUNDRED US DOLLARS (\$100.00). EXPORT. Customer agrees that it will not directly or indirectly export the Evaluation Board to another country, and that it will comply with all applicable United States federal laws and regulations relating to exports. GOVERNING LAW. This Agreement shall be governed by and construed in accordance with the substantive laws of the Commonwealth of Massachusetts (excluding conflict of law rules). Any legal action regarding this Agreement will be heard in the state or federal courts having jurisdiction in Suffolk County, Massachusetts, and Customer hereby submits to the personal jurisdiction and venue of such courts. The United Nations Convention on Contracts for the International Sale of Goods shall not apply to this Agreement and is expressly disclaimed.