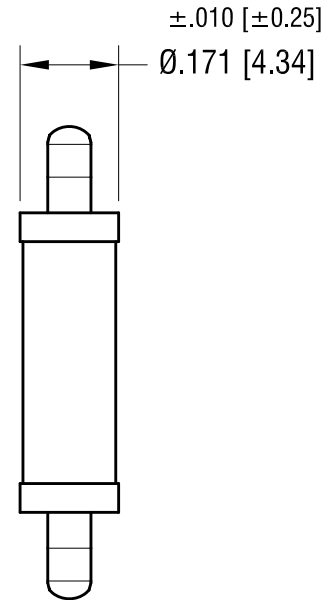
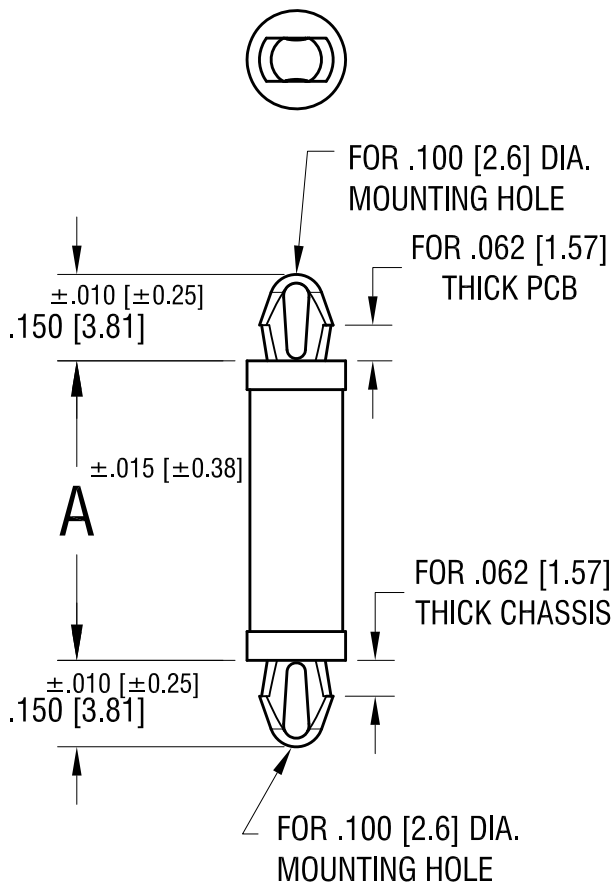


THIS DOCUMENT IS THE PROPERTY OF  
KEYSTONE ELECTRONICS CORP. AND  
SHALL NOT BE REPRODUCED, DISTRIBUTED  
OR USED AS A BASIS FOR MANUFACTURE  
WITHOUT PRIOR WRITTEN PERMISSION  
FROM KEYSTONE ELECTRONICS CORP.

ACTUAL SIZE



P/N 8890



PART NO.	'A' DIM.
8888	.125 [3.18]
8889	.187 [4.75]
8890	.250 [6.35]
8891	.375 [9.52]
8892	.500 [12.70]
8893	.625 [15.87]

**KEYSTONE ELECTRONICS CORP.**

www.keyelco.com • NEW HYDE PARK NY 11040 • Tel (516)328-7500

PART NAME		PC LOCK-IN SUPPORT	
MATERIAL		NYLON 6/6, UL 94V-0	
FINISH	NONE	DRN BY	BOONE
		APP'D	RH
		DATE	8.29.06
		SCALE	3X
TOLERANCES	INCH [MM]	CODE	DWG NO.
DECIMAL	± .005 [± 0.13]	C	8888 - 8893
ANGULAR	± 1°		
UNLESS OTHERWISE SPECIFIED			

1.10.08	CHANGE AS PER ECN 08-042	A
DATE	DESCRIPTION	REV.