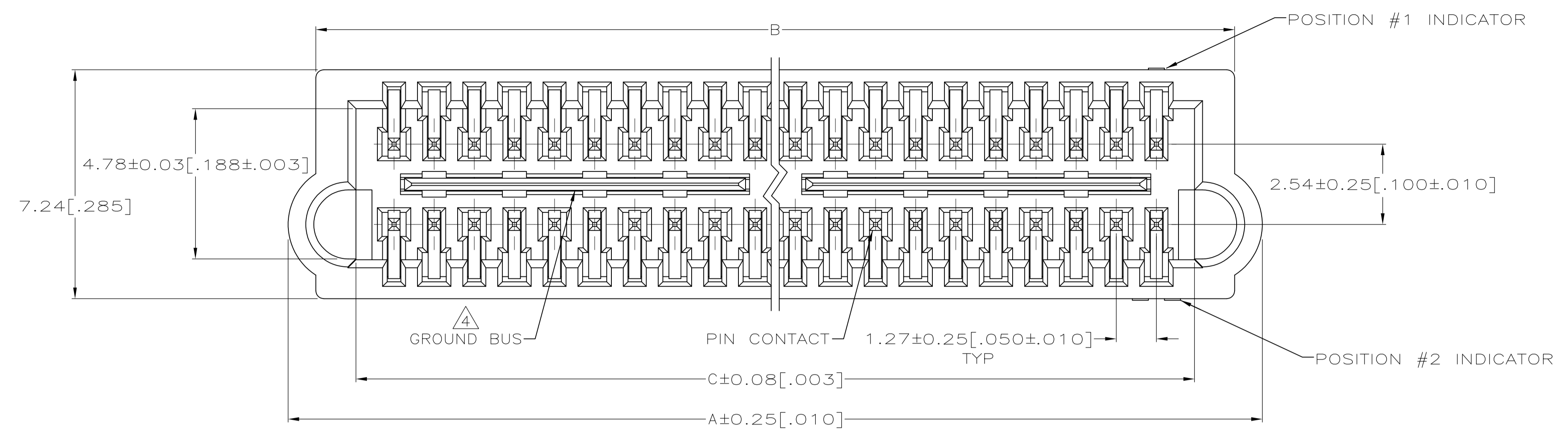
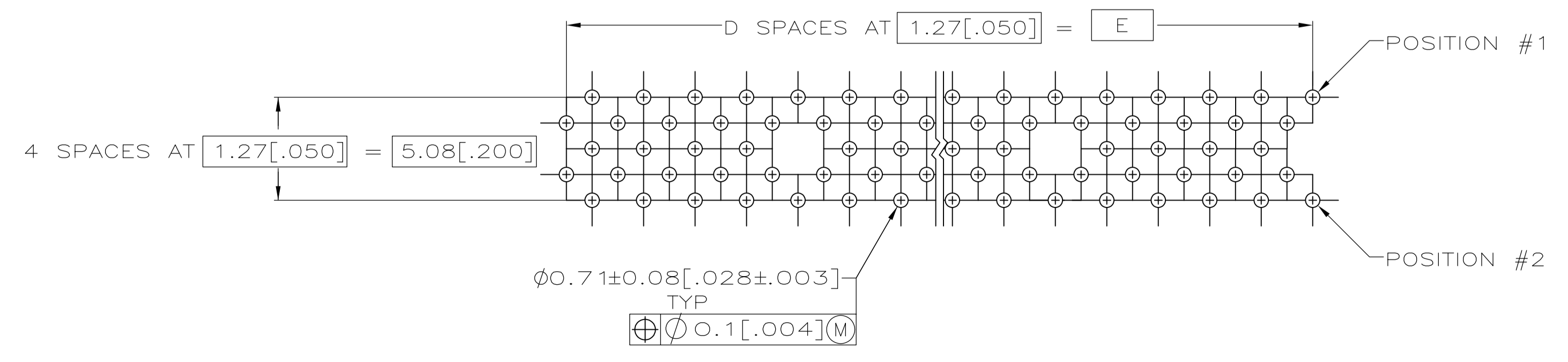
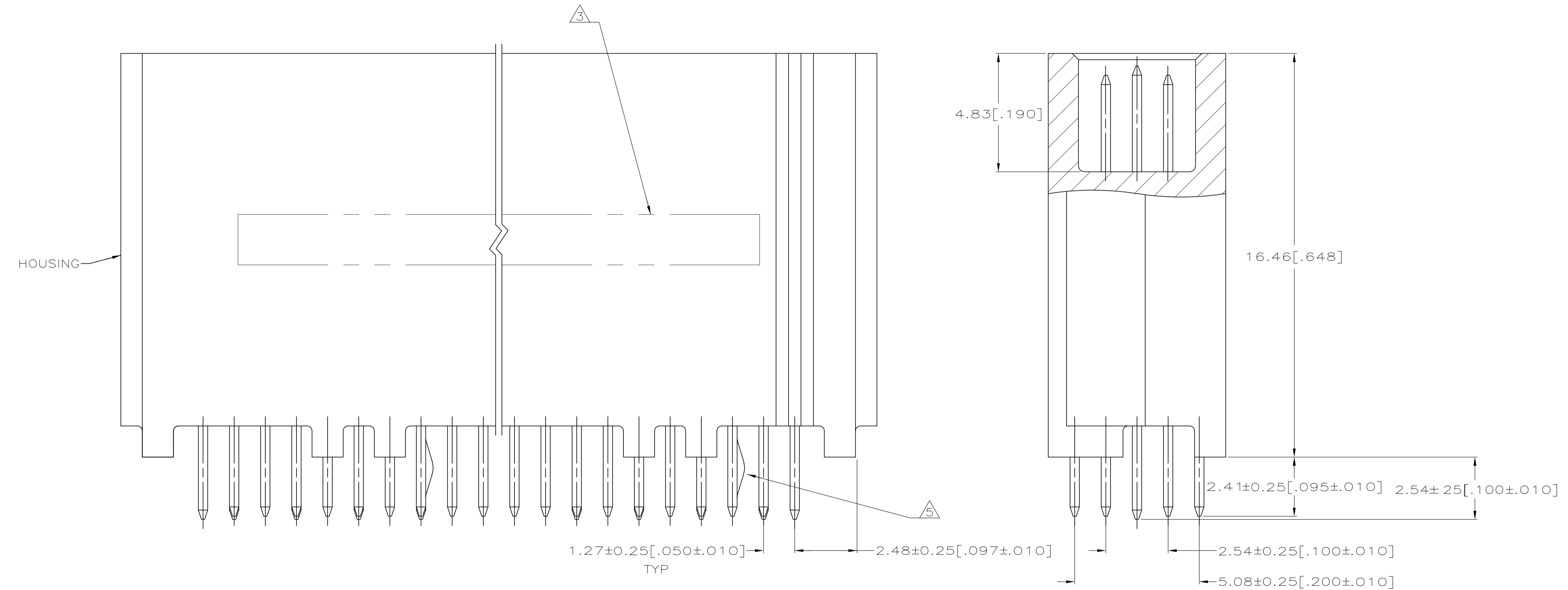


REVISIONS					
P	LTR	DESCRIPTION	DATE	OWN	APVD
B		REVISED PER ECO-16-010704	20JUL2016	SY	SY



- ① HOUSING: HIGH TEMPERATURE THERMOPLASTIC, COLOR NATURAL OR LIGHT NATURAL.  
PIN CONTACTS: PHOSPHOR BRONZE.  
GROUND BUSES: PHOSPHOR BRONZE.
- ② CONTACTS & GROUND BUSES: 0.00076(.000030) MIN. GOLD PER ASTM B 488 ON CONTACT AREA, 0.00254-0.00762(.000100-.000300) MATTE TIN PER ASTM B 545 ON SOLDER TAIL, ALL OVER 0.00127-0.00254(.000050-.000100) MATTE NICKEL PER SAE AMS-QQ-N-290 ON ENTIRE CONTACT.
- ③ AMP, AMP PART NUMBER AND DATE CODE MARKED IN AREA INDICATED, ON SAME SIDE AS POSITION NUMBER 2 INDICATOR.
- ④ ONE GROUND BUS WITH 4 TAILS PER EACH 20 PIN CONTACTS.
- ⑤ FIRST TAIL FROM RIGHT OF EACH GROUND BUS IS KINKED.



RECOMMENDED PC BOARD HOLE LAYOUT (VIEWED FROM CONNECTOR SIDE)

62.23 [2.450]	49	64.72 [2.548]	67.31 [2.650]	68.94 [2.714]	100	5149020-4
E	D	C	B	A	NO OF POS	PART NUMBER
THIS DRAWING IS A CONTROLLED DOCUMENT.			DIN L VAERLA - DOCKS 01-19-05		STE TE Connectivity	
DIMENSIONS: mm [INCHES]			TOLERANCES UNLESS OTHERWISE SPECIFIED:		APVD D DIXON 01-19-05 NAME	
0 PLC ± -			1 PLC ± -		PRODUCT SPEC 108-1272	
2 PLC ± -			3 PLC ± 0.13 [.005]		APPLICATION SPEC 114-11005	
4 PLC ± -			ANGLES ± -		SIZE CAGE CODE DRAWING NO RESTRICTED TO	
MATERIAL ①			FINISH ②		WEIGHT 0.000000 A1 00779 C=5149020	
CUSTOMER DRAWING			SCALE 10:1		SHEET 1 OF 1 REV B	