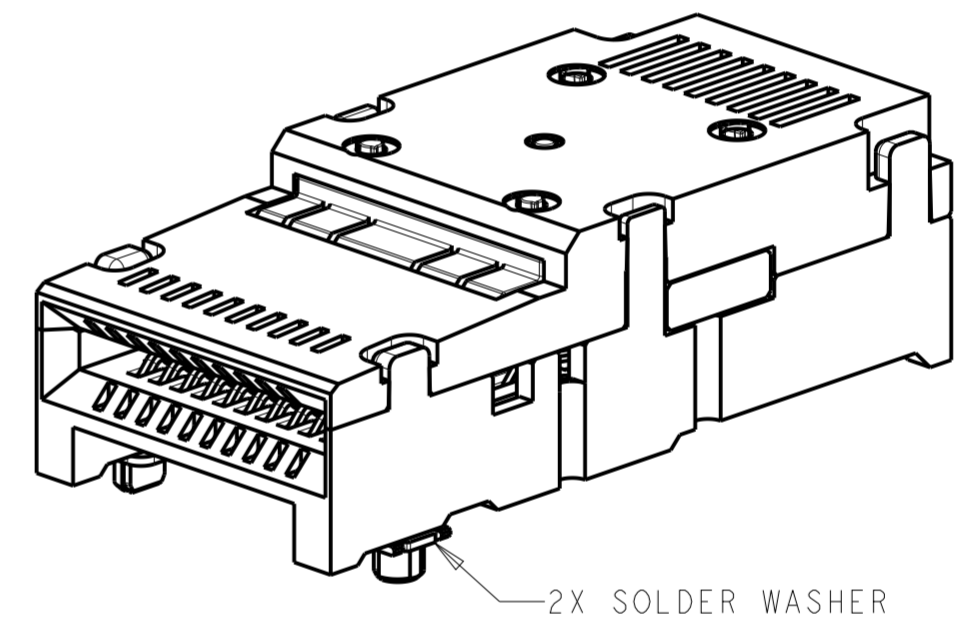
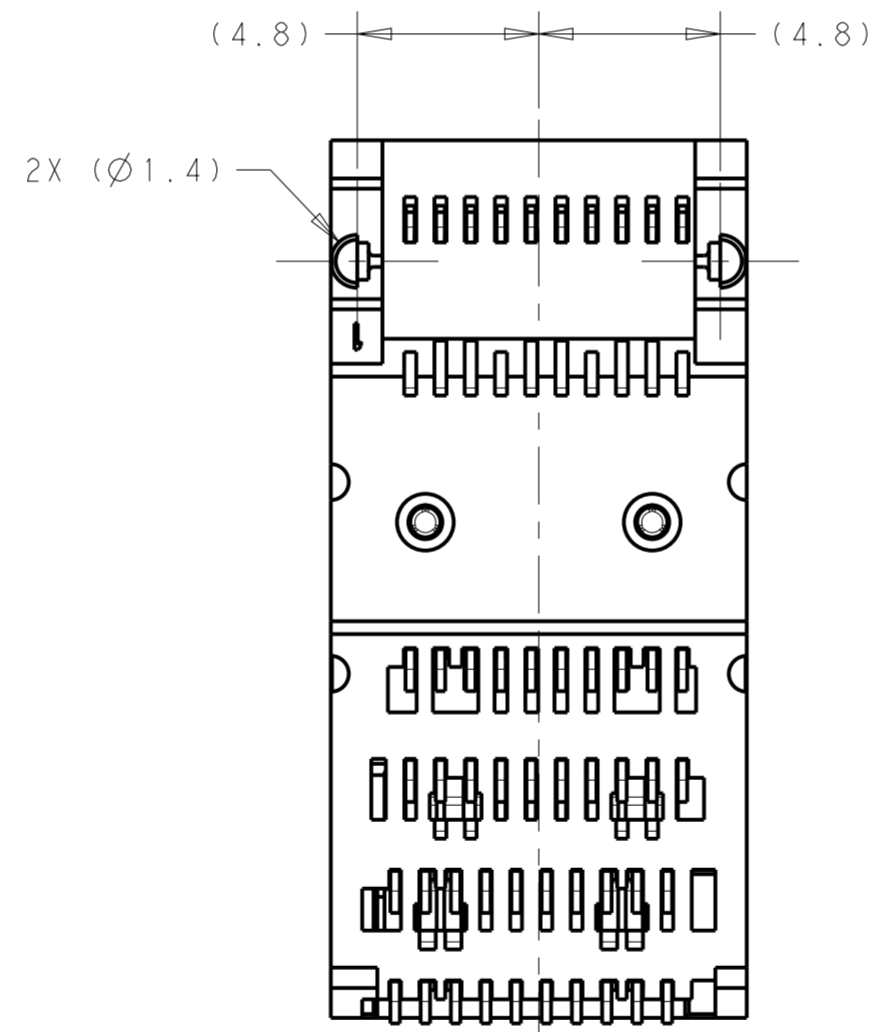
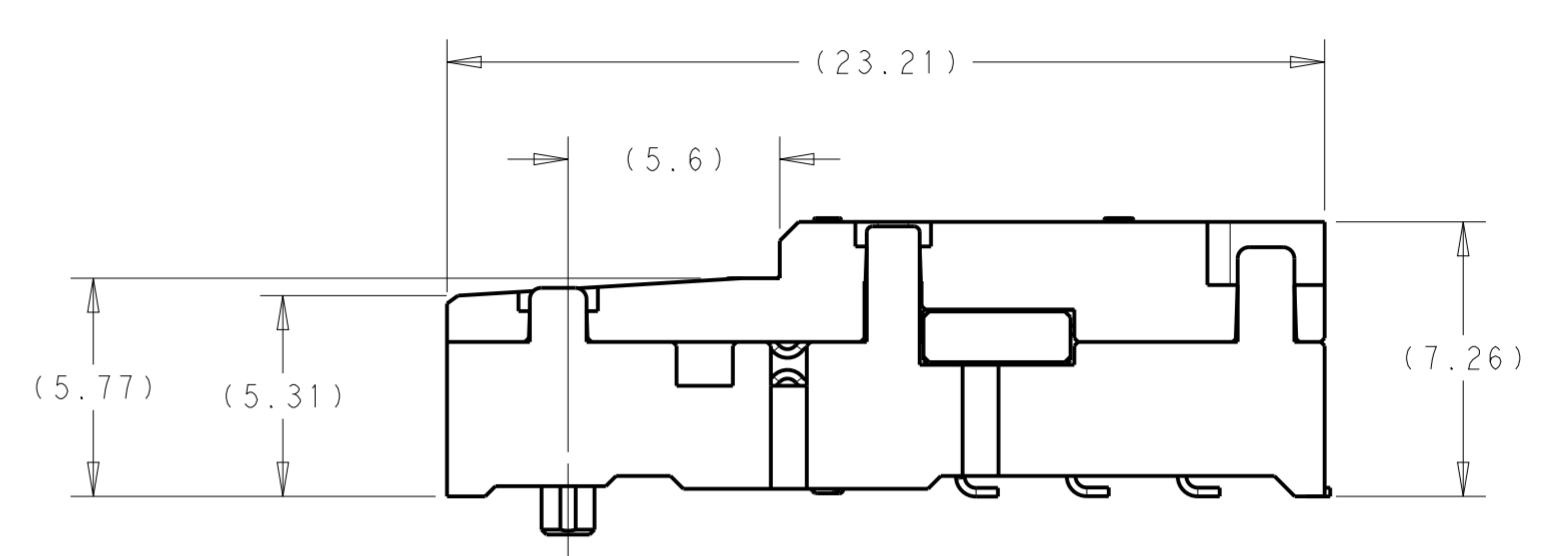
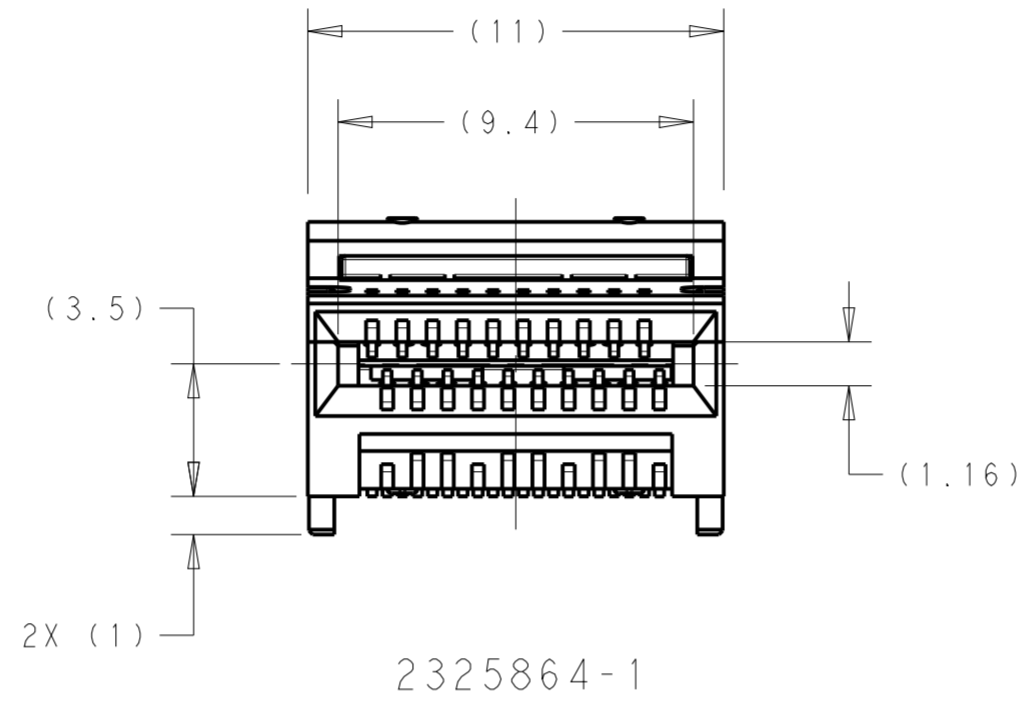
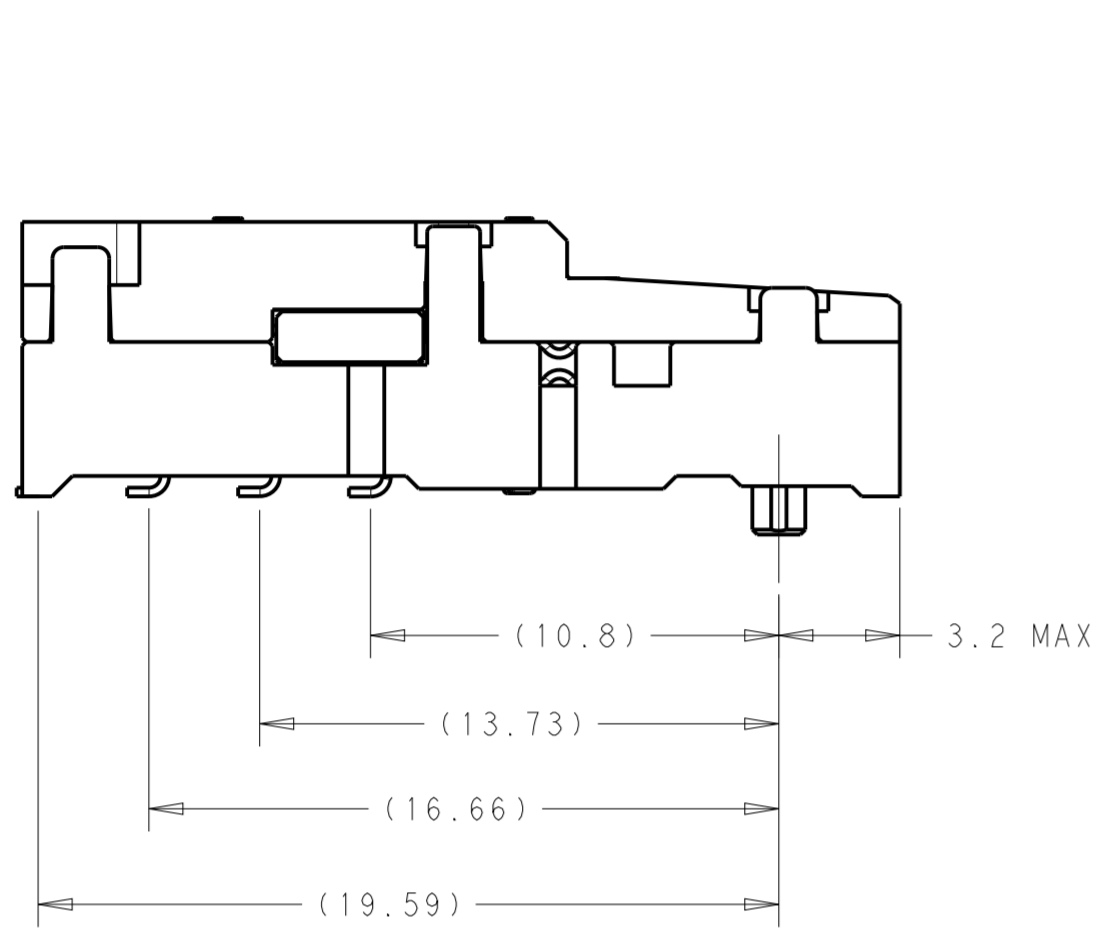


THIS DRAWING IS UNPUBLISHED. RELEASED FOR PUBLICATION 20
 © COPYRIGHT 20 BY - ALL RIGHTS RESERVED.

REVISIONS					
P	LTR	DESCRIPTION	DATE	DWN	APVD
A		RELEASED TO PRODUCTION STATUS	14JAN2021	EDB	EDB
A1		ADDED -3 INFORMATION IN VIEW NOTES	30MAR2021	AJ	SZ



2325864-2/-3
WITH SOLDER WASHERS

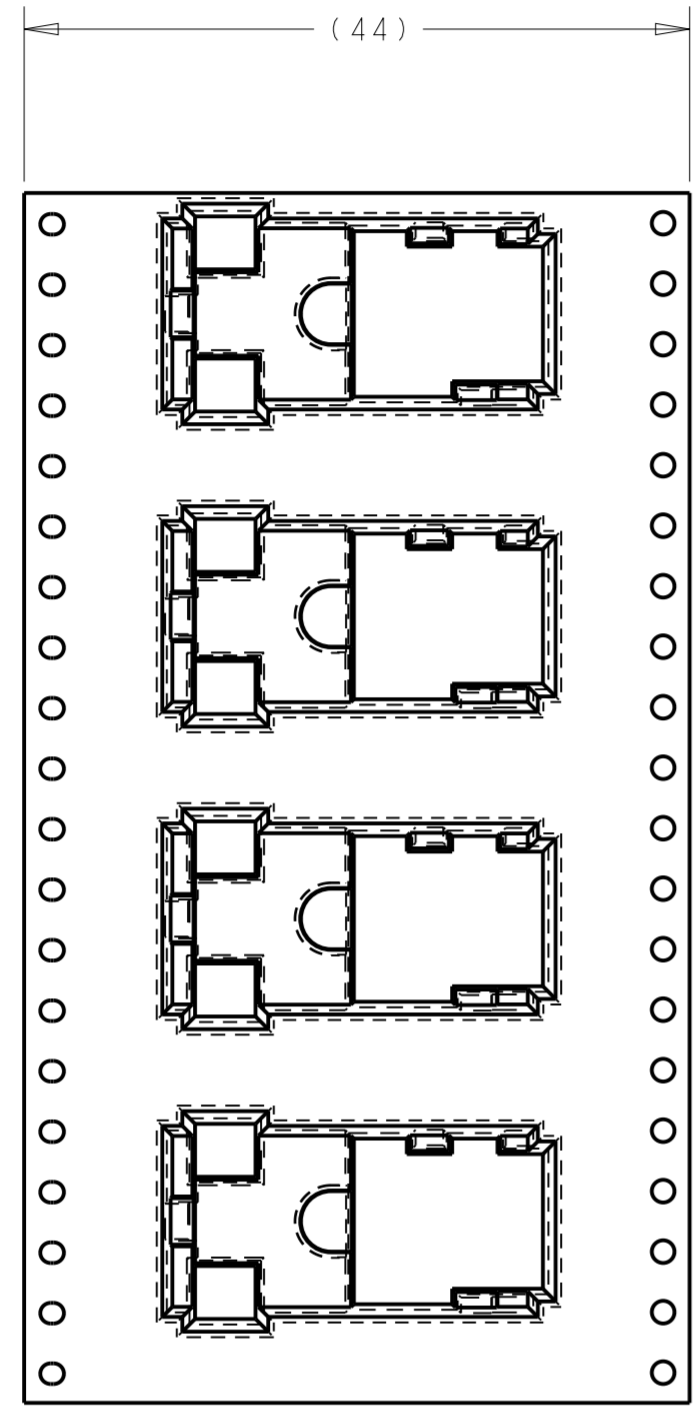
- 1 HOUSINGS AND CONTACT OVERMOLDS: LCP, BLACK, UL94-V0.
CONTACTS: COPPER ALLOY.
SOLDER WASHERS: NICKEL SILVER.
- 2 0.76µm GOLD PLATING ON MATING INTERFACE. TIN PLATE ON SOLDER TAILS. ALL OVER NICKEL UNDERPLATE ON ENTIRE CONTACT.
- 3. MINIMUM PC BOARD THICKNESS:
SINGLE SIDED: 1.57 MIN
DOUBLE SIDED: 2.20 MIN
- 4 DATUM AND BASIC DIMENSION ESTABLISHED BY CUSTOMER.

WITH SOLDER WASHERS	2325864-3
WITH SOLDER WASHERS	2325864-2
AS SHOWN	2325864-1
DESCRIPTION	PART NUMBER

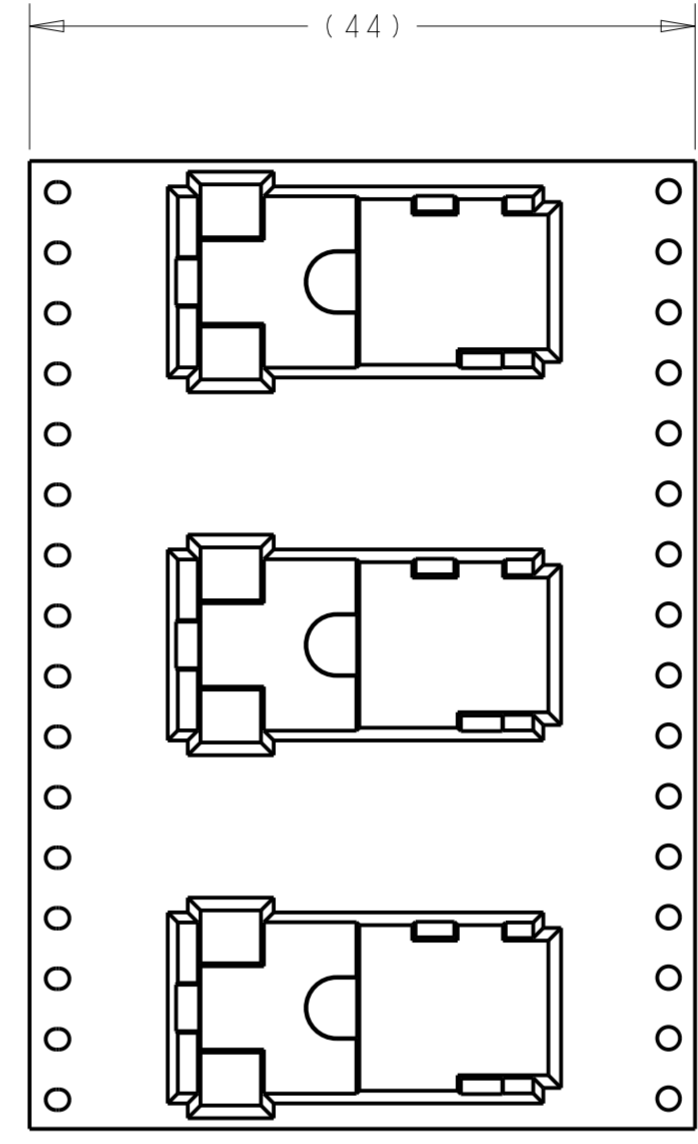
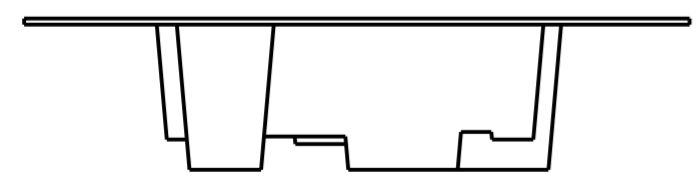
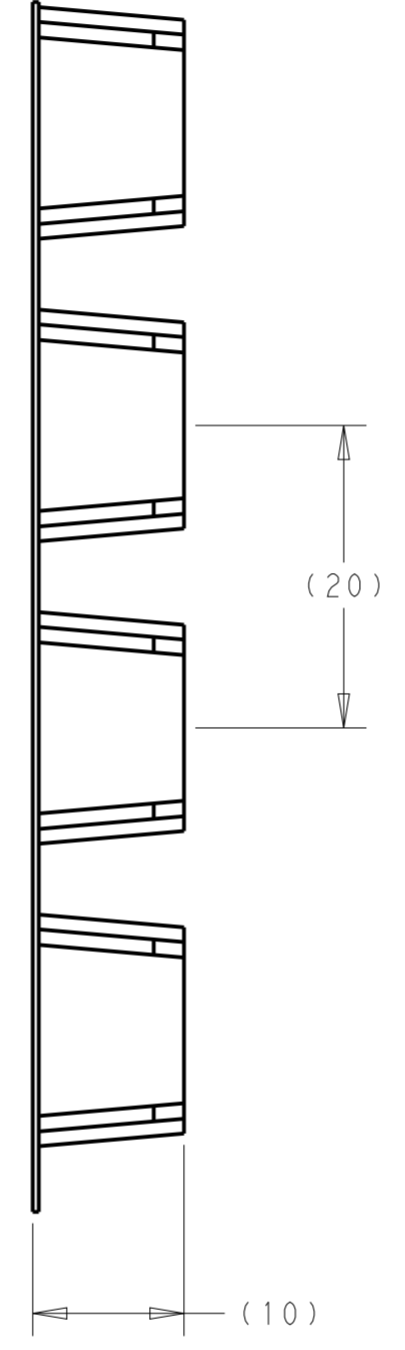
THIS DRAWING IS A CONTROLLED DOCUMENT.		DWN M. SHIRK 02AUG2018	TE Connectivity	
		CHK E. BRIANT 02AUG2018	NAME RECEPTACLE CONNECTOR, 40 POSITION, SFP DD	
DIMENSIONS: mm		APVD -	SIZE A200779	
TOLERANCES UNLESS OTHERWISE SPECIFIED:		PRODUCT SPEC 108-130026	DRAWING NO C-2325864	
0 PLC ±		APPLICATION SPEC 114-130012	RESTRICTED TO -	
1 PLC ±		WEIGHT -	SCALE 5:1	
2 PLC ±		SHEET 1 OF 3		
3 PLC ±		REV A1		
4 PLC ±		CUSTOMER DRAWING		
ANGLES ±		SHEET 1 OF 3		
FINISH		REV A1		

THIS DRAWING IS UNPUBLISHED. RELEASED FOR PUBLICATION 20
 © COPYRIGHT 20 BY - ALL RIGHTS RESERVED.

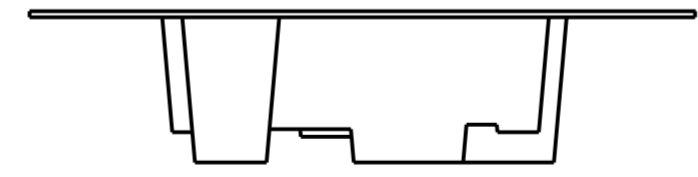
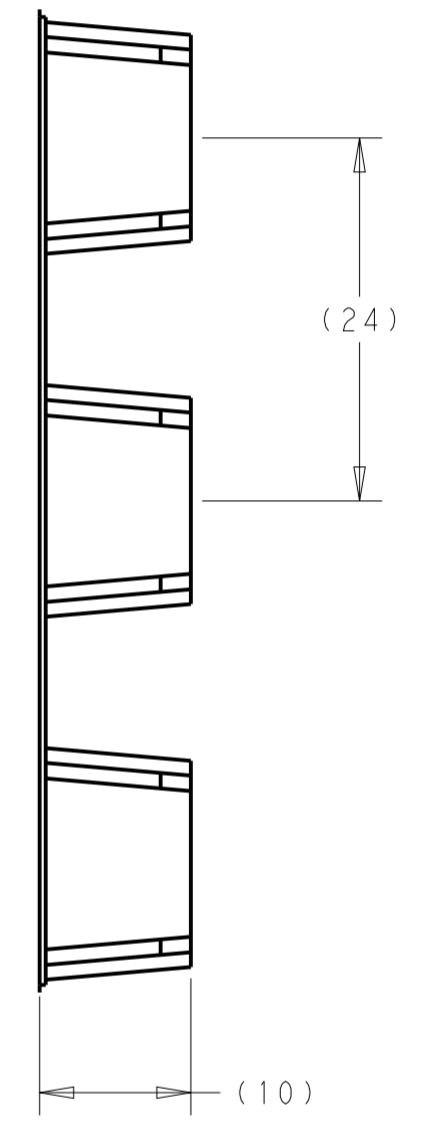
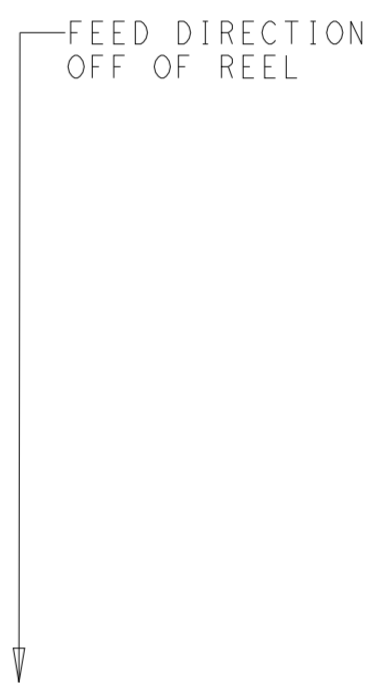
REVISIONS				
P	LTR	DESCRIPTION	DATE	APVD
-	-	SEE SHEET 1	-	-



PACKAGING TAPE
 FOR 2325864-1 AND 2325864-2
 SCALE 2:1



PACKAGING TAPE
 FOR 2325864-3
 350 PCS/REEL
 15 EMPTY POCKETS (360mm)
 ON BOTH ENDS OF THE TAPE
 SCALE 2:1



THIS DRAWING IS A CONTROLLED DOCUMENT.		DWN M. SHIRK 02AUG2018	STE TE Connectivity	
		CHK E. BRIANT 02AUG2018		
DIMENSIONS: mm		APVD -	NAME RECEPTACLE CONNECTOR, 40 POSITION, SFP DD	
TOLERANCES UNLESS OTHERWISE SPECIFIED:		PRODUCT SPEC 108-130026	RESTRICTED TO	
0 PLC ±		APPLICATION SPEC 114-130012	SIZE A200779	CAGE CODE C-2325864
1 PLC ±		WEIGHT -	DRAWING NO -	
2 PLC ±		CUSTOMER DRAWING	SCALE 5:1	SHEET 3 OF 3
3 PLC ±			REV A1	
4 PLC ±				
ANGLES ±				
FINISH				