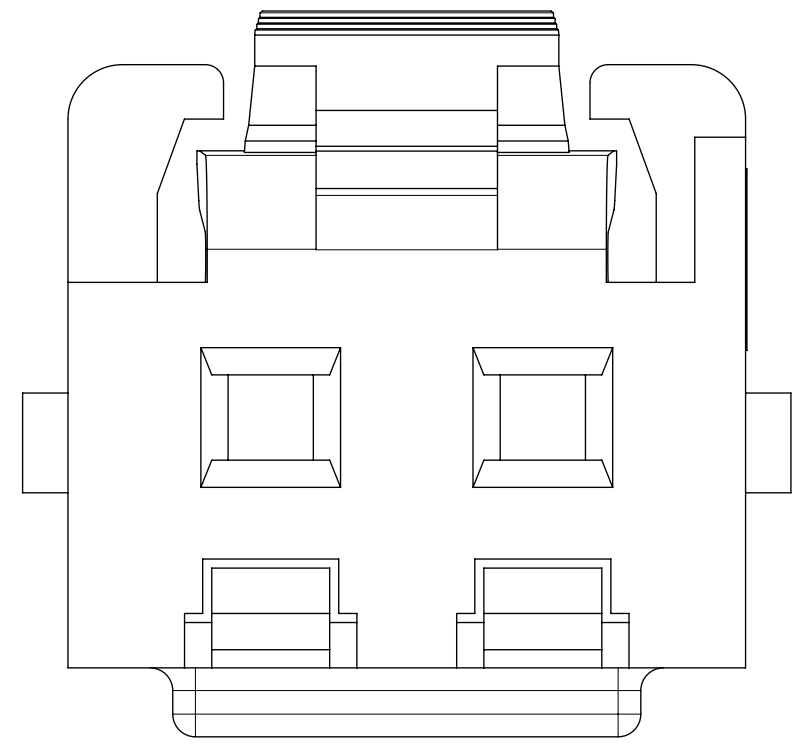
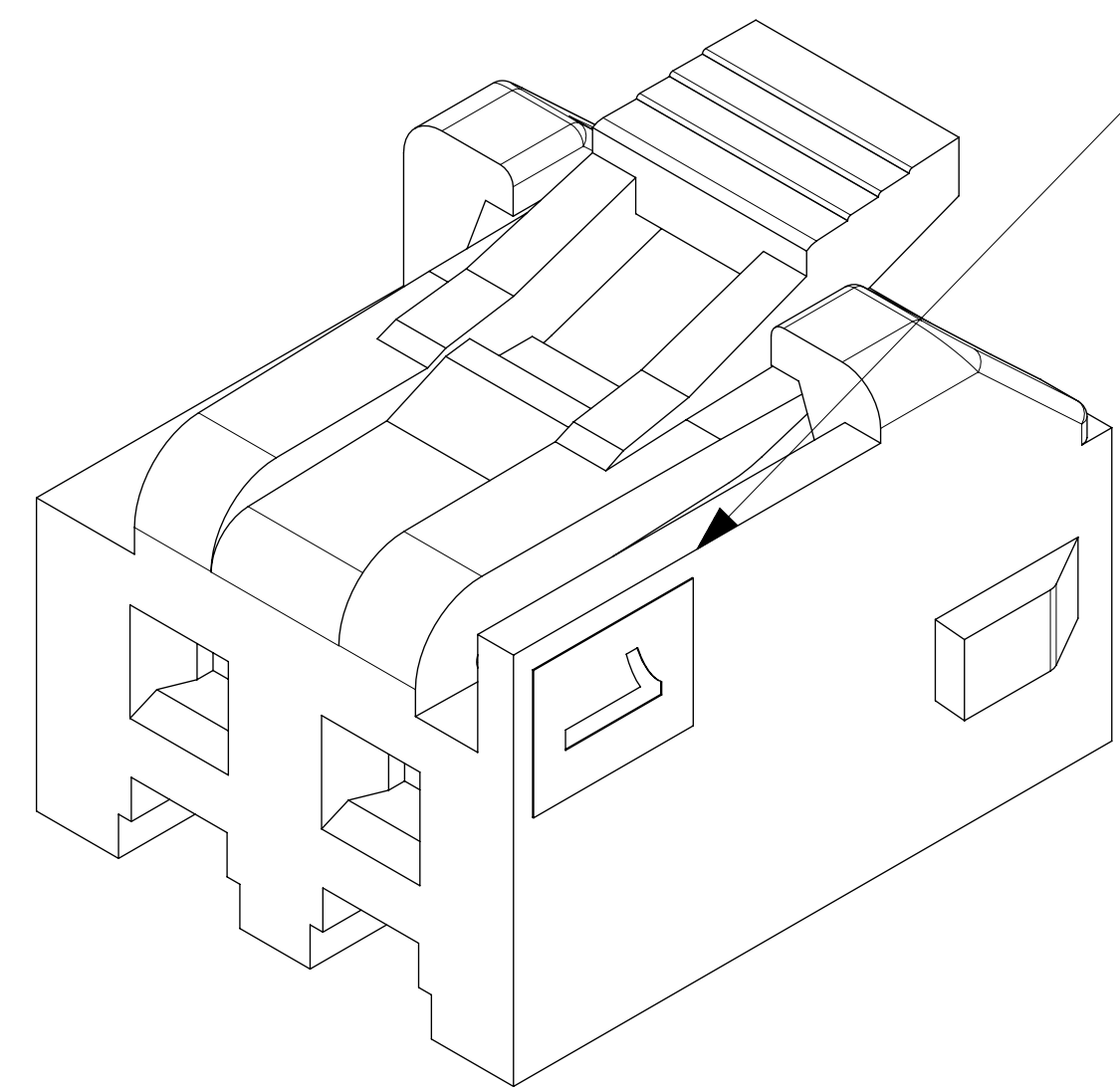
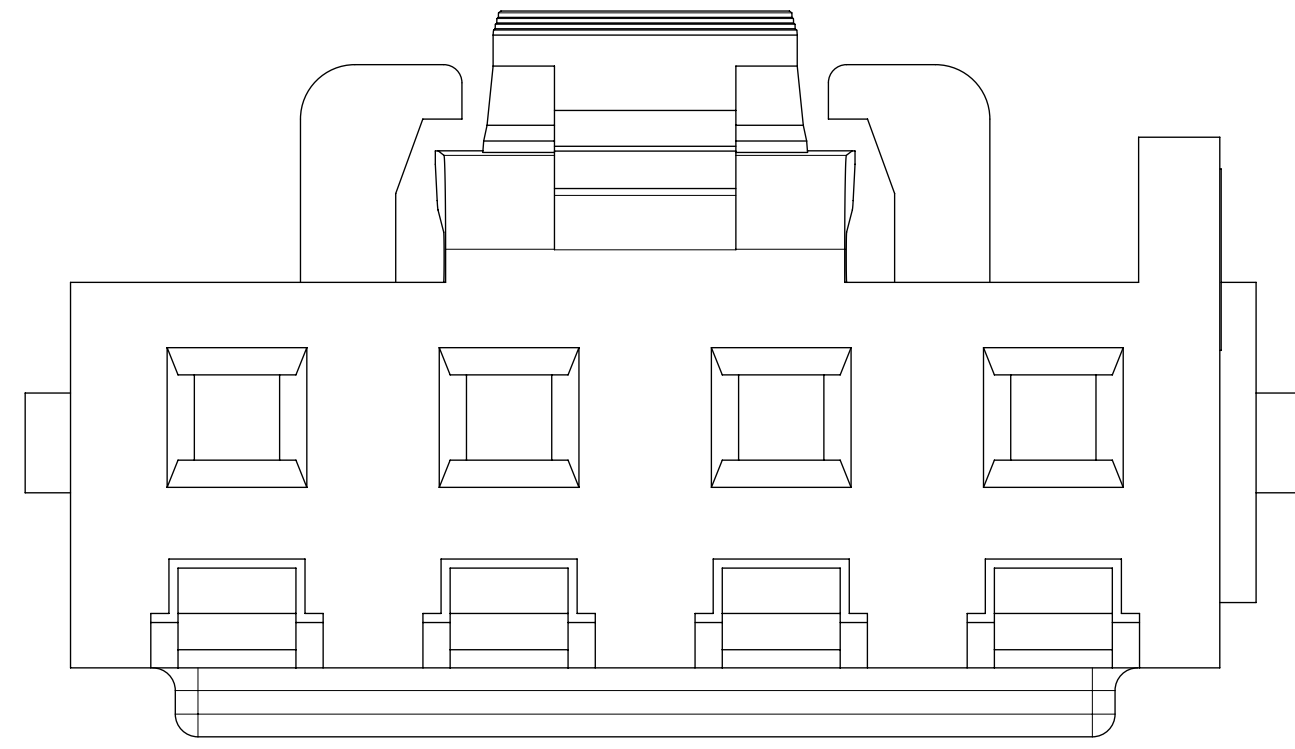


POLARIZATION

2CKT

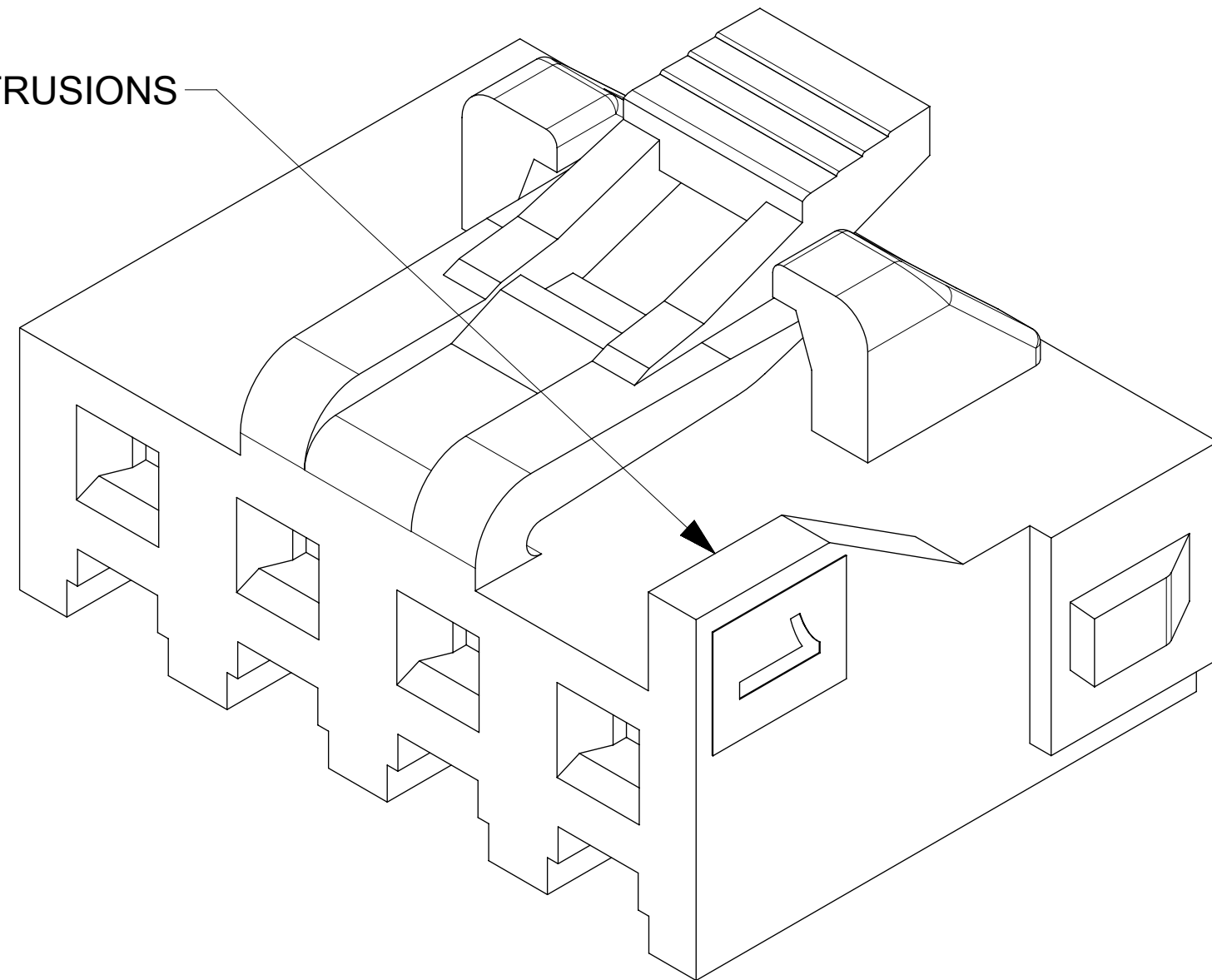


3 & 4 CKTS



ISOMETRIC OF 2CKT

KEYING PROTRUSIONS



ISOMETRIC VIEW FOR 3 & 4 CKT

| | | | |
|-----------------|---|------------------------|---|
| SYMBOLS | THIS DRAWING CONTAINS INFORMATION THAT IS PROPRIETARY TO MOLEX ELECTRONIC TECHNOLOGIES, LLC AND SHOULD NOT BE USED WITHOUT WRITTEN PERMISSION | | |
| | DIMENSION UNITS | SCALE | CURRENT REV DESC: |
| ▽ = 0 | mm | 10:1 | EC NO: 707267 DRWN: SHRUTJ 2022/05/17 CHK'D: SHRUTJ 2022/05/18 APPR: ISHWARG 2022/05/19 INITIAL REVISION: DRWN: GSHARMA 2019/01/16 APPR: ISHWARG 2020/05/22 |
| ▽ = 0 | GENERAL TOLERANCES (UNLESS SPECIFIED) | | |
| ▽ = 0 | ANGULAR TOL ± 0.5° | | |
| ▽ = 0 | 4 PLACES | ± | |
| ▽ = 0 | 3 PLACES | ± | |
| ▽ = 0 | 2 PLACES | ± 0.25 | DOCUMENT NUMBER 2092090000-SD DOC TYPE PSD DOC PART 000 REVISION A1 |
| ▽ = 0 | 1 PLACE | ± 0.3 | |
| ▽ = 0 | 0 PLACES | ± | |
| ▣ = 0 | DRAFT WHERE APPLICABLE MUST REMAIN WITHIN DIMENSIONS | THIRD ANGLE PROJECTION | DRAWING |
| ▽ = 0 | | | SERIES D-SIZE 209209 |
| DOCUMENT STATUS | | RELEASE DATE | SHEET NUMBER |
| P1 | | 2022/05/19 05:54:26 | 2 OF 2 |

molex

RECEPTACLE HOUSING FOR KK PLUS 300 WTB CONNECTOR SYSTEM

PRODUCT CUSTOMER DRAWING

DOCUMENT NUMBER: 2092090000-SD DOC TYPE: PSD DOC PART: 000 REVISION: A1

MATERIAL NUMBER: SEE TABLE CUSTOMER: GENERAL MARKET SHEET NUMBER: 2 OF 2