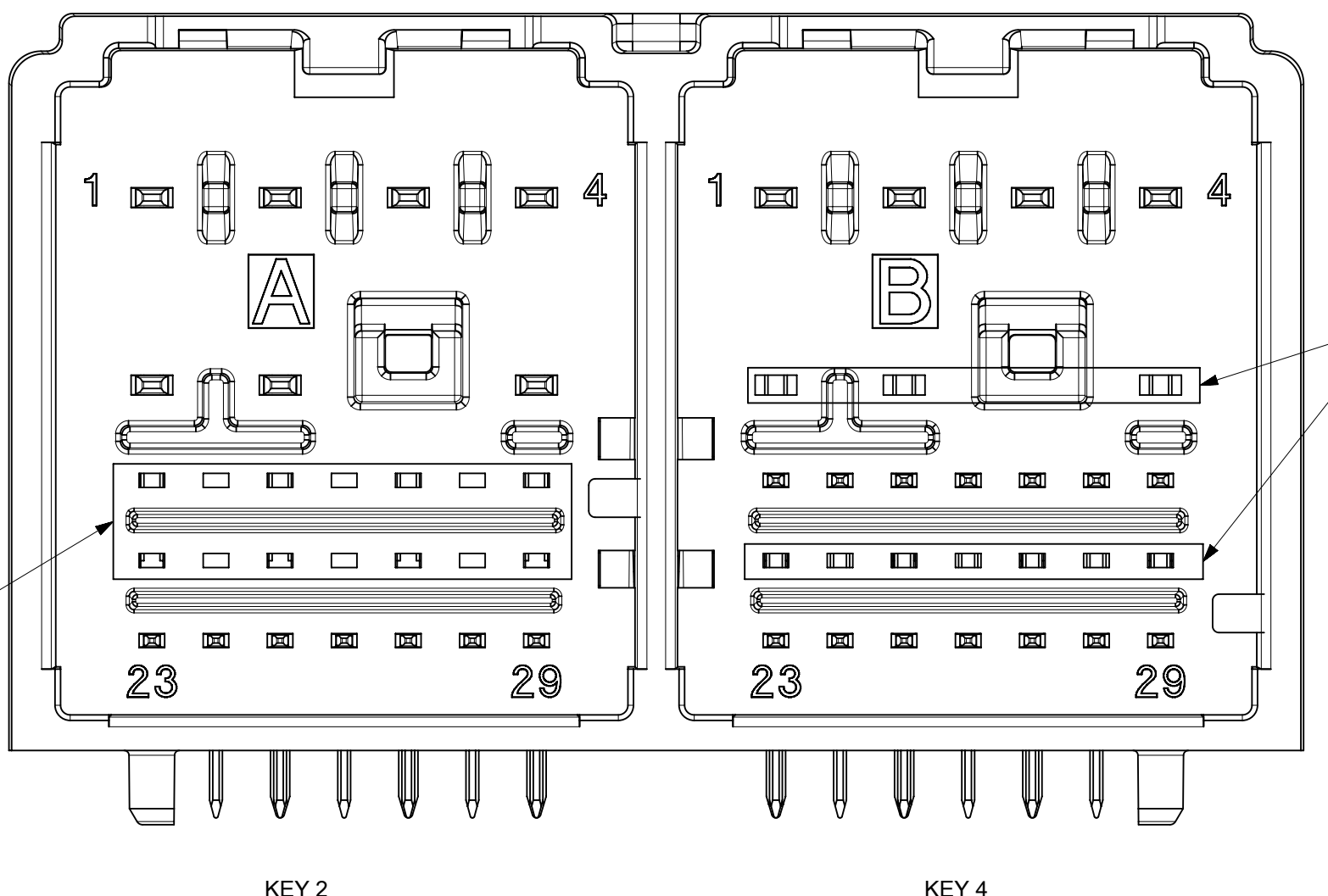


160013X041

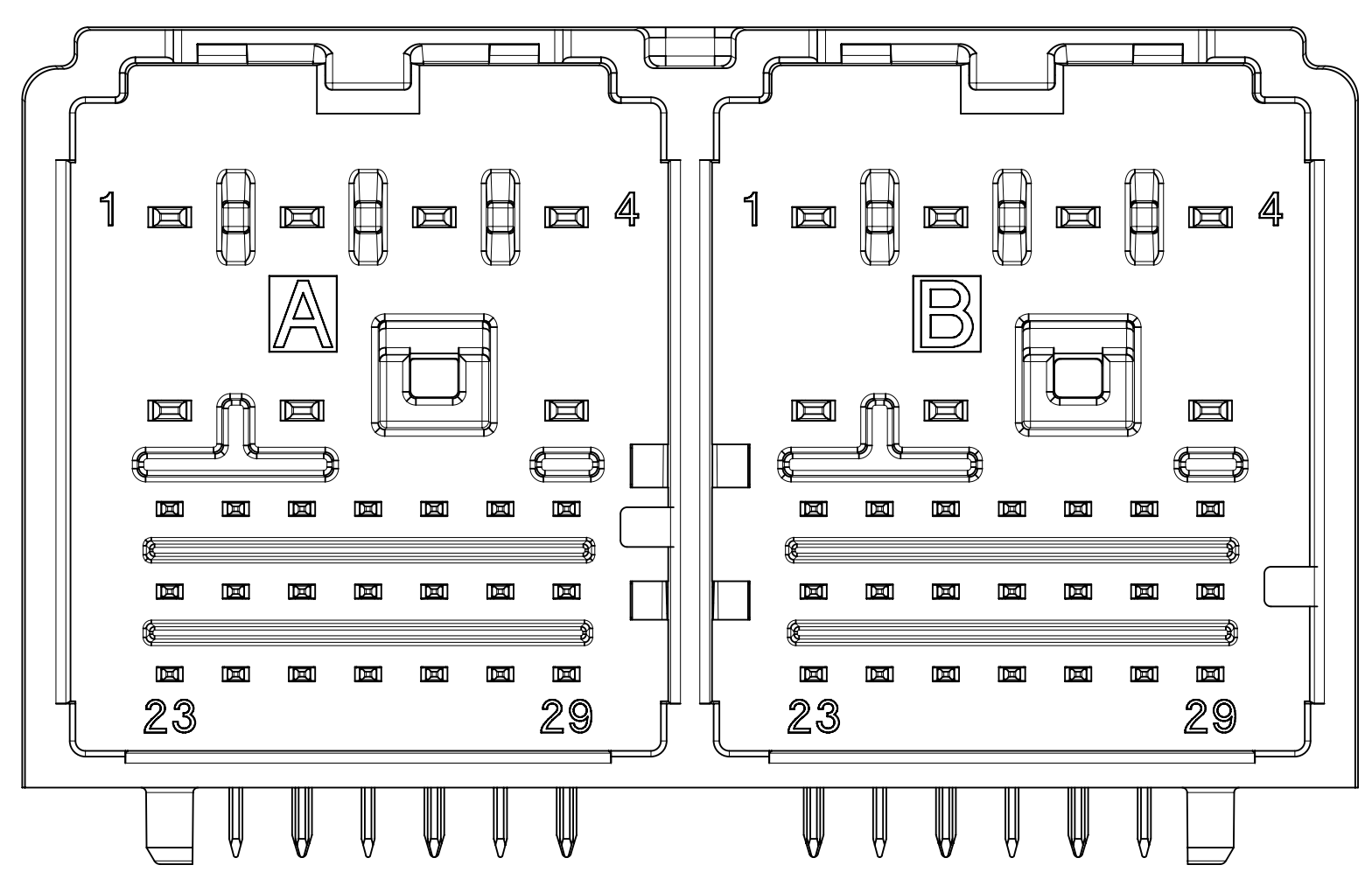


1600131024

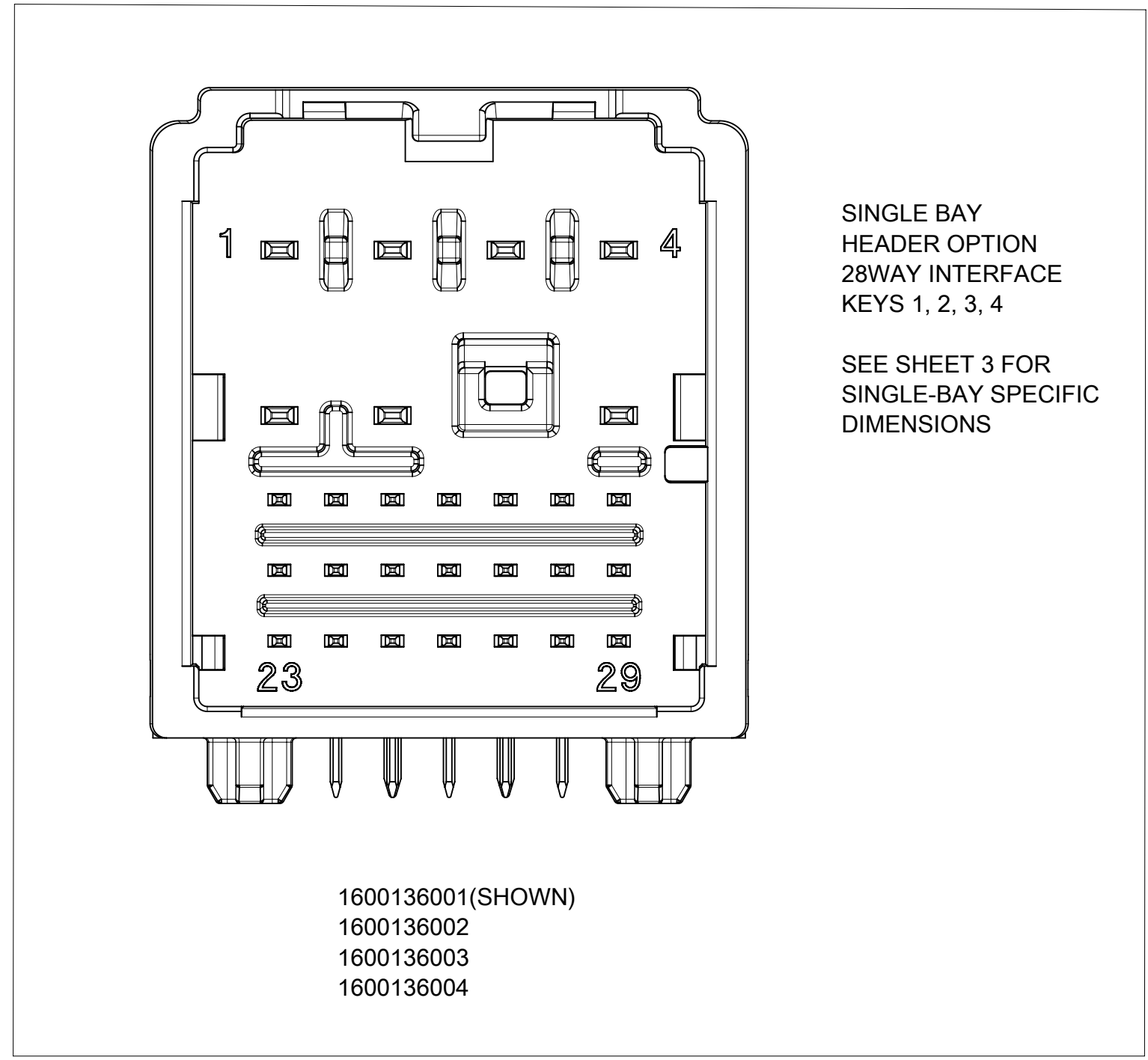
DEPOPULATED
CIRCUITS #5,6,8 & #16-22

DEPOPULATED
CIRCUITS #9-22

- NOTES: VALID UNLESS OTHERWISE SPECIFIED
- GENERAL:
 - APPLICATION SPECIFICATION SEE: AS-160013-001
 - PRODUCT SPECIFICATION SEE: PS-160013-001
 - PACKAGING SPECIFICATION:
 - TUBE PACKAGING OPTION: MOLEX DRAWING: PK-31302-235
 - TRAY PACKAGING OPTION: MOLEX DRAWING: 160013-9001
 - DESIGN - MATERIALS:
 - SEE BOM TABLE
 - BLADE TERMINALS:
 - 0.5mm Blades
 - Base Material: Copper Alloy
 - Conductivity $\geq 28\%$ IACS @ 20°C
 - Underplate: Overall Nickel
 - Overplate: Overall Tin
 - 1.2mm Blades
 - Base Material: Copper Alloy
 - Conductivity $\geq 28\%$ IACS @ 20°C
 - Underplate: Overall Nickel
 - Overplate: Overall Tin
 - DESIGN - GEOMETRY:
 - ALL GRAPHIC DATA IS BASIC (NO TOLERANCE) AND MUST BE TAKEN FROM THE DATA FILE AT ITS LATEST REVISION.
 - PRODUCT DESIGN MODEL NUMBER(S): EM-160013-0001 or SEE BOM TABLE
 - GEOMETRIC DIMENSIONS AND TOLERANCES PER ASME Y14.5-2009
 - EDGES AND UNDIMENSIONED DETAILS PER ISO13715
 - CORNERS SHOWN AS SHARP TO BE R 0.2 MAX.
 - LETTERING SHALL BE MAX POSSIBLE FOR READABILITY. THIS INCLUDES RECYCLING CODE, CAVITY ID, VENDOR IDENTIFICATION, AND CUSTOMER MATERIAL NUMBER.
 - FOR BAY/POCKET DEFINITION SEE MOLEX INTERFACE DRAWING SD-160014-002. FOR ANY CONFLICTING DIMENSIONS OR TOLERANCES, SD-160013-0001 IS THE OVERRIDING DOCUMENT.
 - MATING HARNESS CONNECTORS MOLEX PN: 1600140001 (Key 1)
1600140002 (Key 2)
1600140003 (Key 3)
1600140004 (Key 4)
 - DESIGN - MANUFACTURING:
 - VISUAL DEFECTS SHALL MEET COSMETIC STANDARD PS-45499-002 (Class B)
 - HUMAN READABLE LASER MARKING
 - INFORMATION
 - DDYY: JULIAN DATE CODE
 - XXXXX: 5 DIGIT SERIAL NO.
 - SIZE
 - HUMAN LEGIBLE
 - PIN MATE SIDE AND PCB SIDE TRUE POSITION TO BE VERIFIED ON-LINE WITH A GO/NO-GO FUNCTIONAL GAGE
 - REFLOW SOLDERABILITY PER SMES-152



160013X023

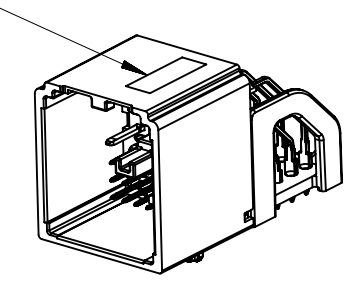


SINGLE BAY
HEADER OPTION
28WAY INTERFACE
KEYS 1, 2, 3, 4

SEE SHEET 3 FOR
SINGLE-BAY SPECIFIC
DIMENSIONS

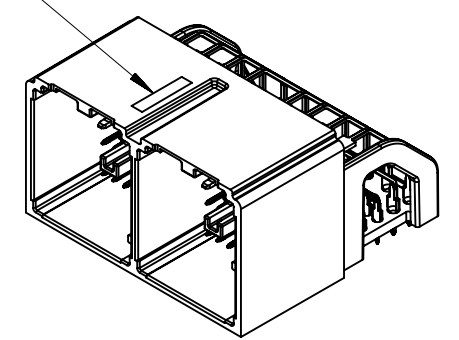
1600136001(SHOWN)
1600136002
1600136003
1600136004

SEE NOTE 4.B.



Gen1
SCALE 1:1

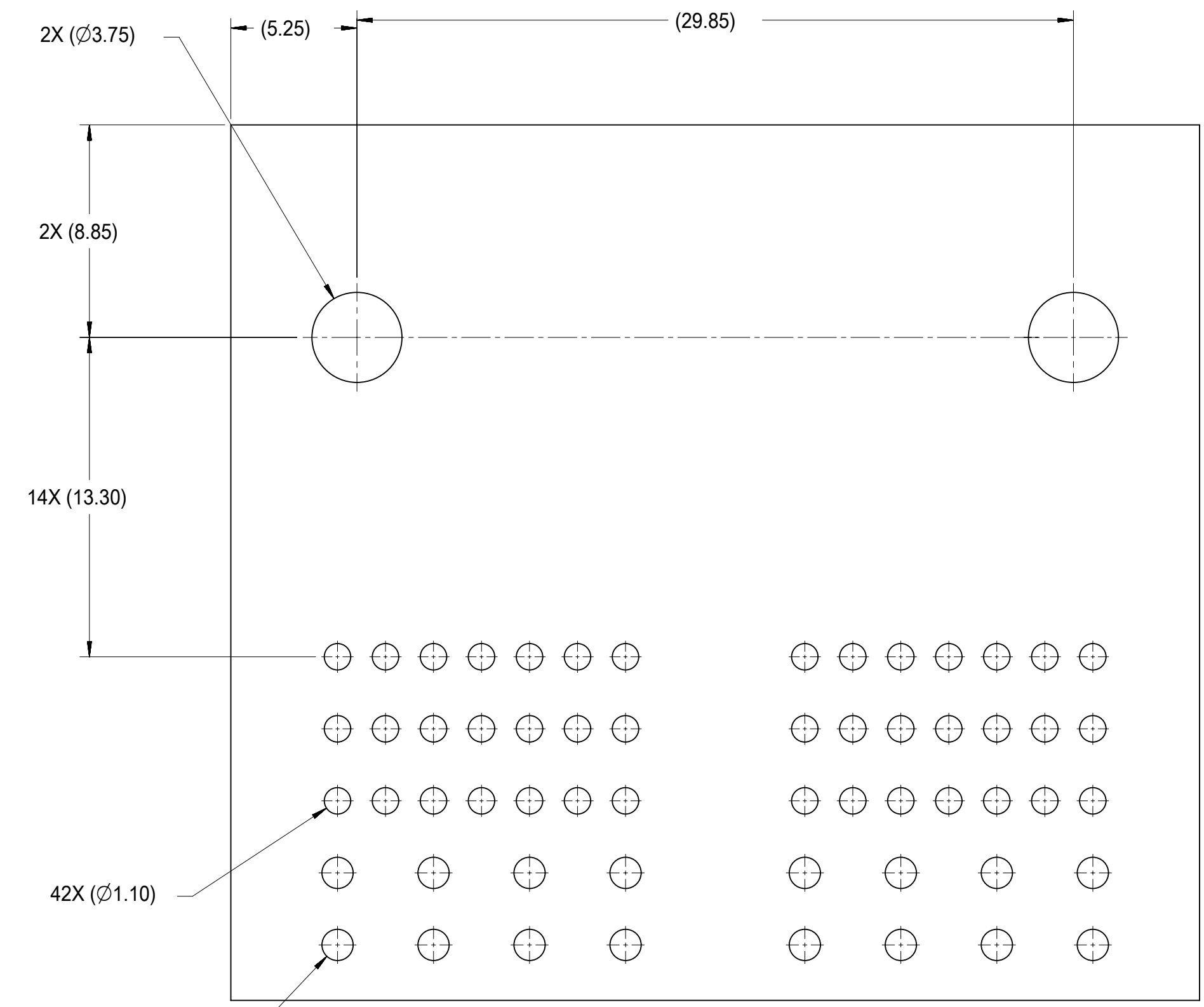
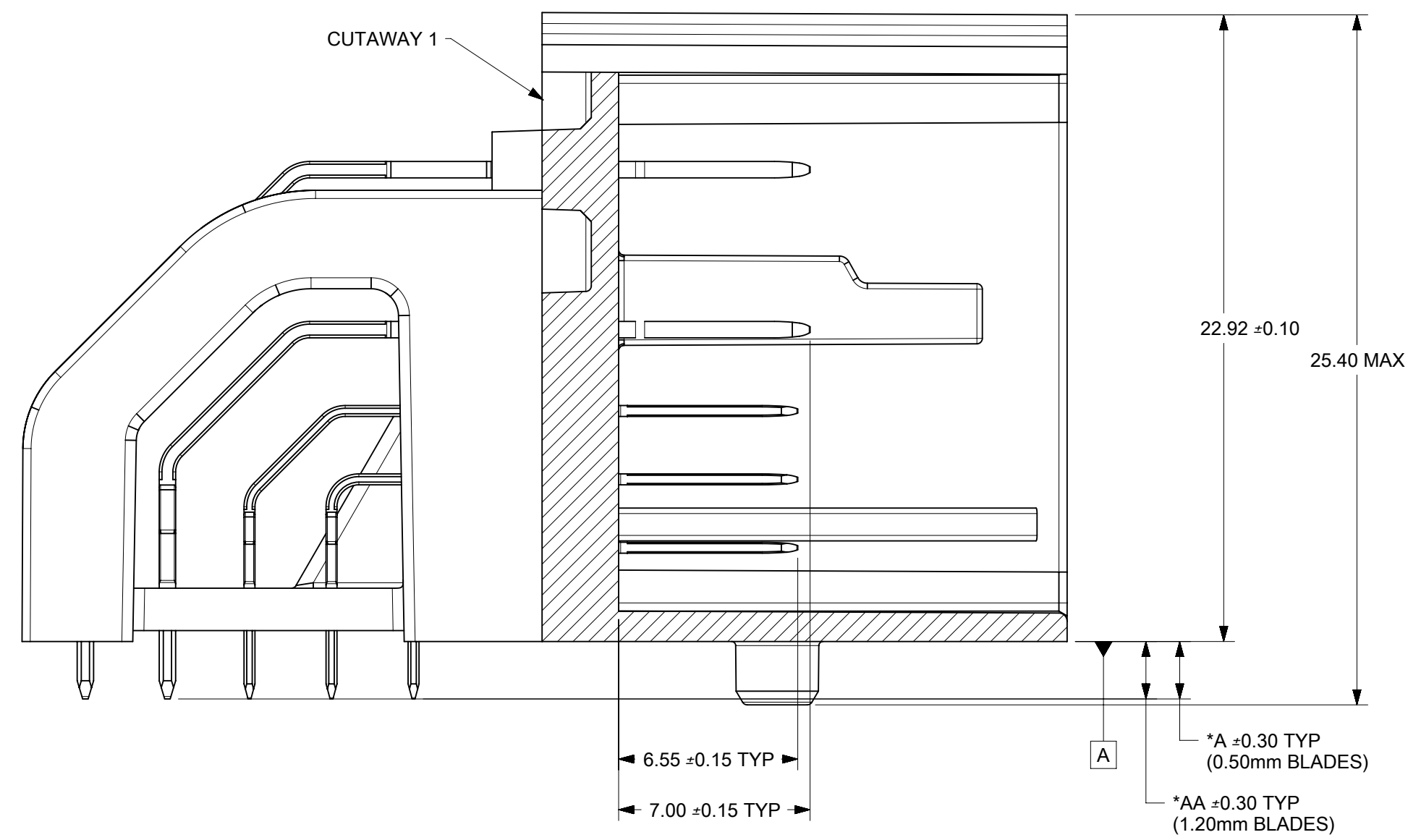
SEE NOTE 4.B.



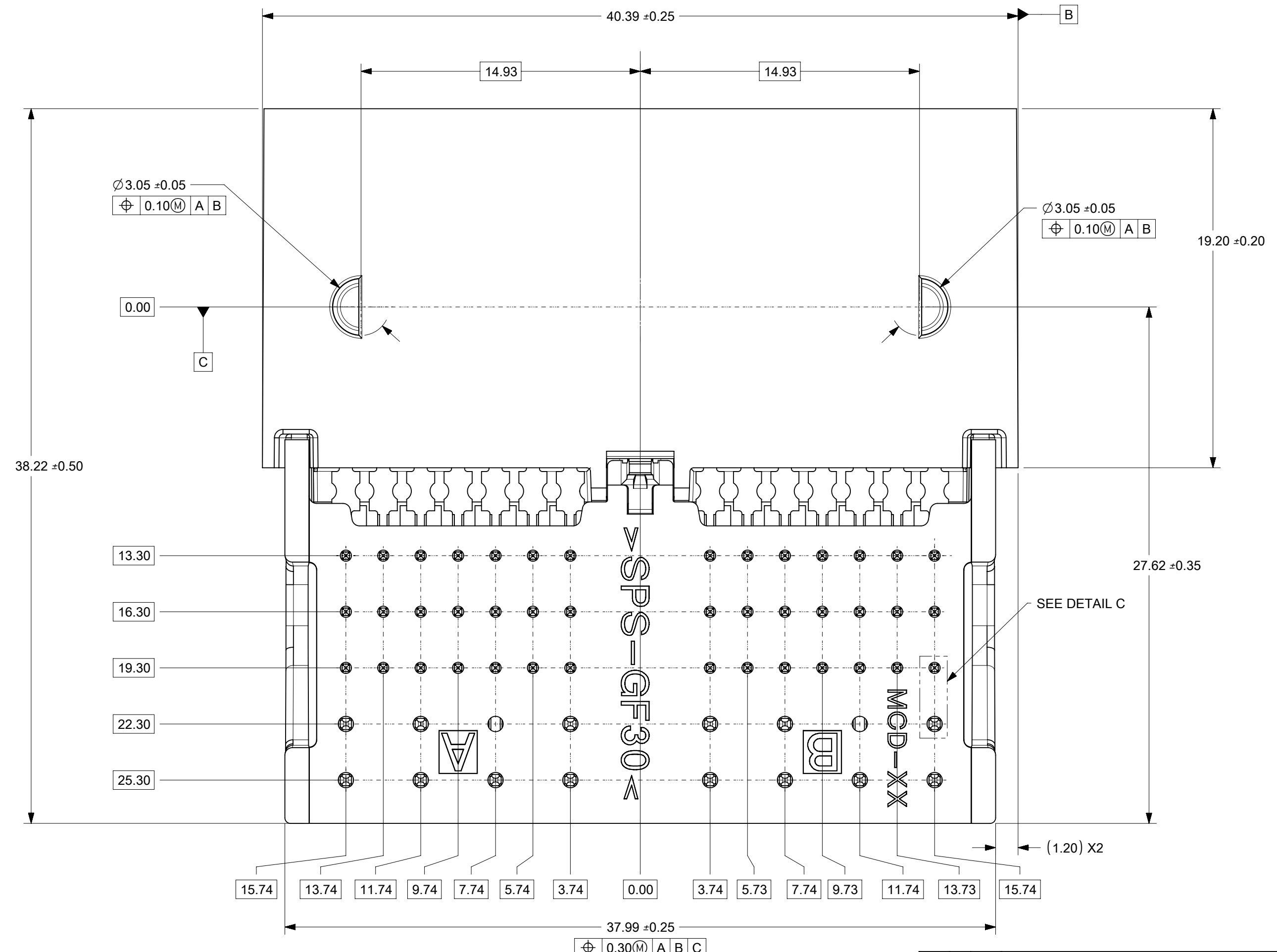
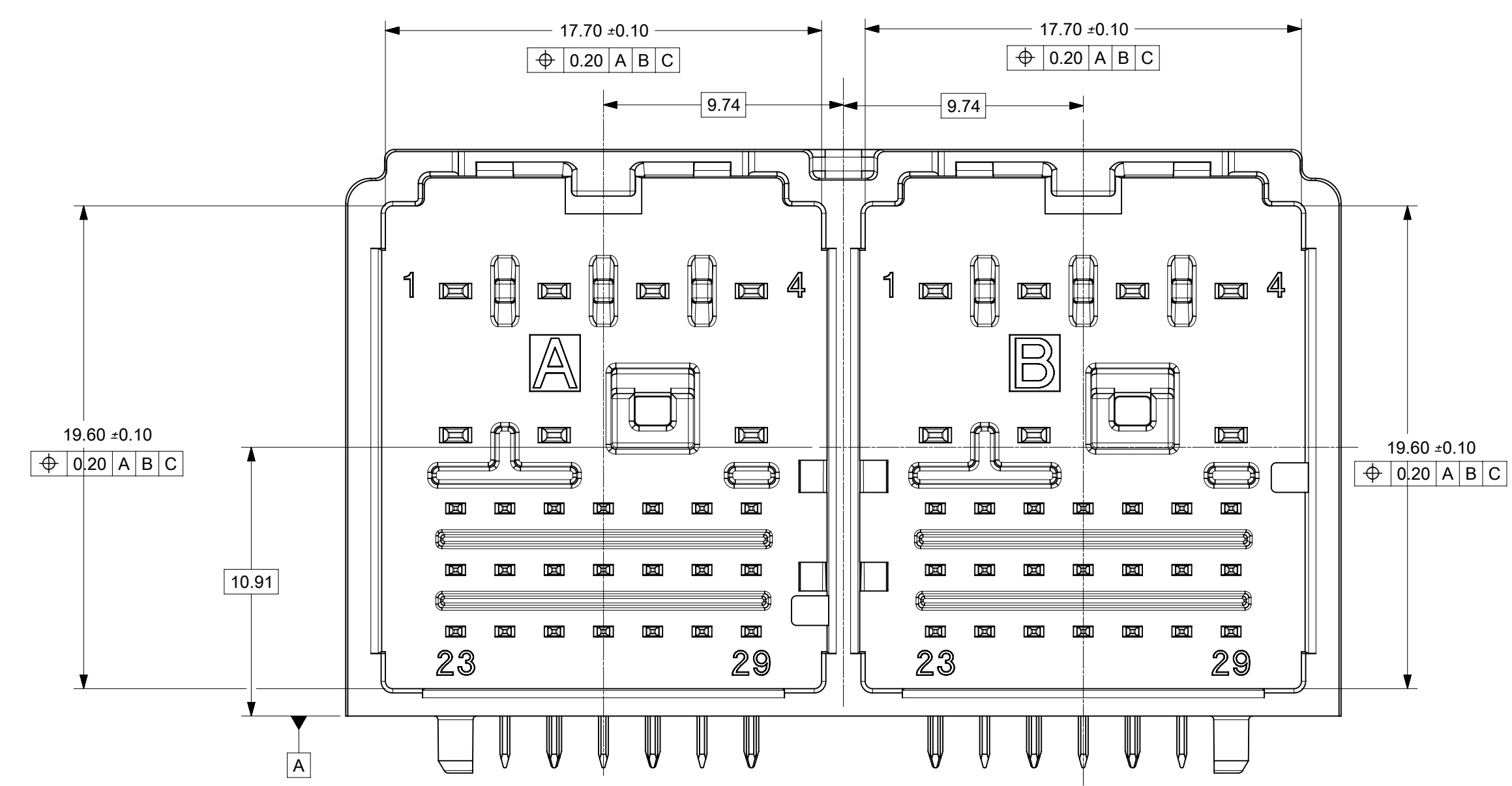
Iso1
SCALE 1:1

SYMBOLS	THIS DRAWING CONTAINS INFORMATION THAT IS PROPRIETARY TO MOLEX ELECTRONIC TECHNOLOGIES, LLC AND SHOULD NOT BE USED WITHOUT WRITTEN PERMISSION		CURRENT REV DESC: ADDED NEW PARTS		
	DIMENSION UNITS	SCALE			
$\nabla = 0$	mm	5:1			EC NO: 623870 DRWN: JPATE01 2019/09/05 CHK'D: DLANGOLF 2019/09/10 APPR: JCONDON 2019/09/11
$\nabla = 0$	GENERAL TOLERANCES (UNLESS SPECIFIED)				
$\nabla = 0$	ANGULAR TOL	$\pm 3.0^\circ$			INITIAL REVISION: DRWN: JCONDON 2013/12/11 APPR: KDEKOSKI 2014/06/26
$\nabla = 0$	4 PLACES	\pm			
$\nabla = 0$	3 PLACES	\pm			DOCUMENT NUMBER SD-160013-0001
$\nabla = 0$	2 PLACES	± 0.13			
$\nabla = 0$	1 PLACE	± 0.25			DOC TYPE PSD
$\nabla = 0$	0 PLACES	\pm			
$\square = 0$	DRAFT WHERE APPLICABLE MUST REMAIN WITHIN DIMENSIONS	THIRD ANGLE PROJECTION	DRAWING	SERIES	DOC PART 001
$\nabla = 0$			D-SIZE	160013	REVISION A16
			MATERIAL NUMBER	CUSTOMER	SHEET NUMBER
			SEE CHART	GENERAL MARKET	1 OF 4

DOCUMENT STATUS	P1	RELEASE DATE	2019/09/11	15:03:35
-----------------	----	--------------	------------	----------

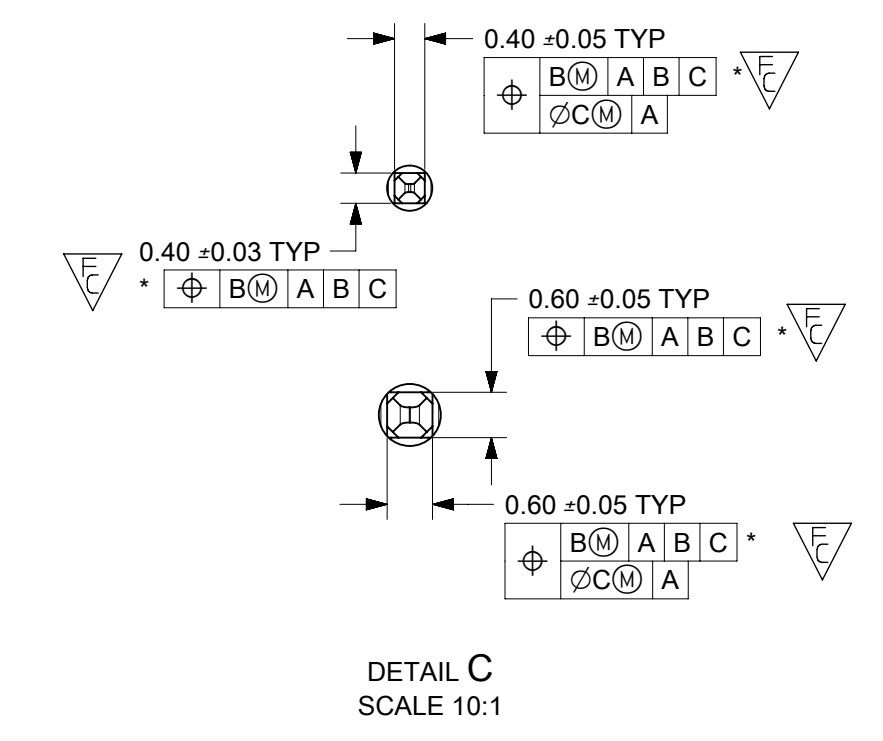


PCB LAYOUT FOR REFERENCE



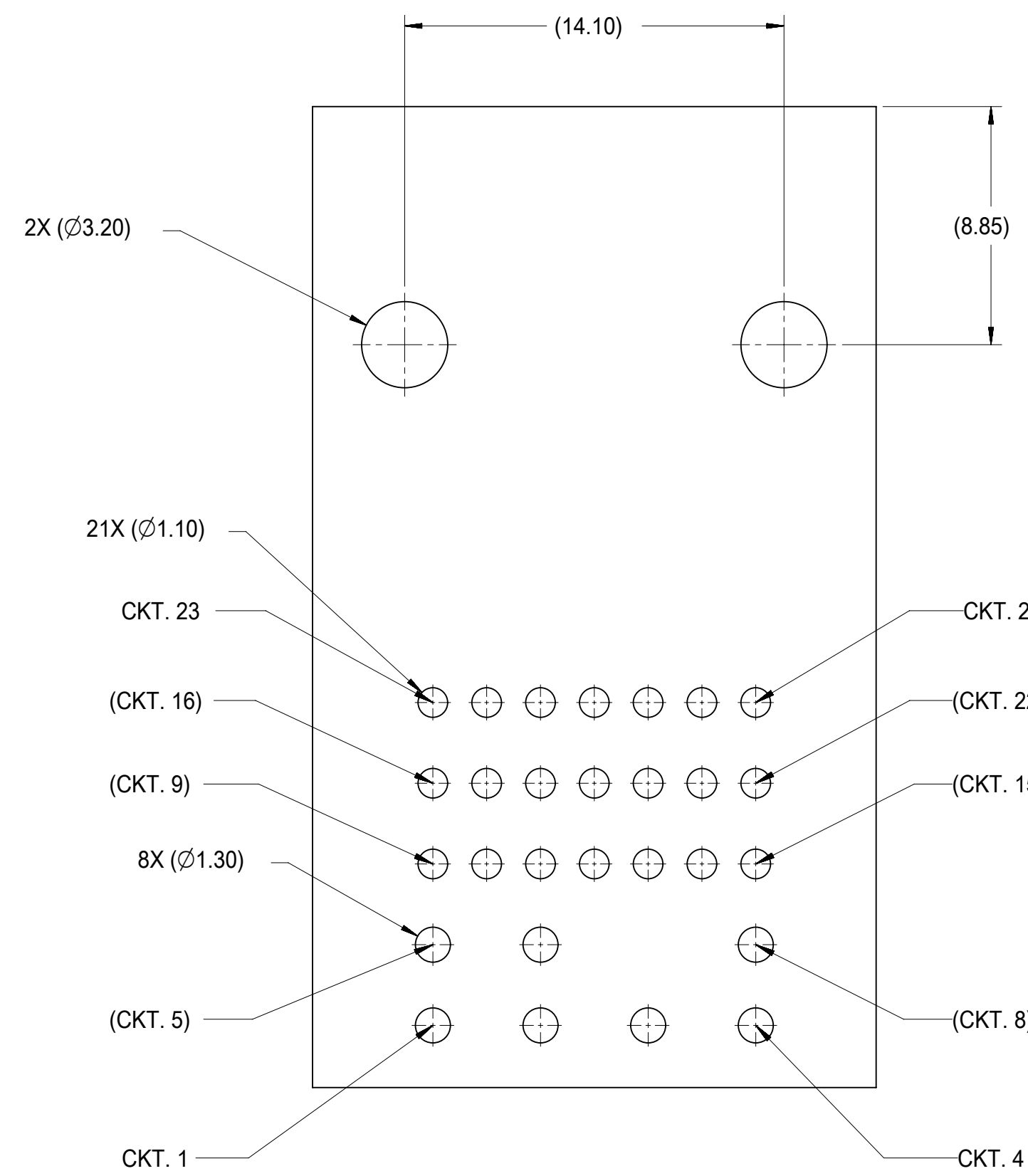
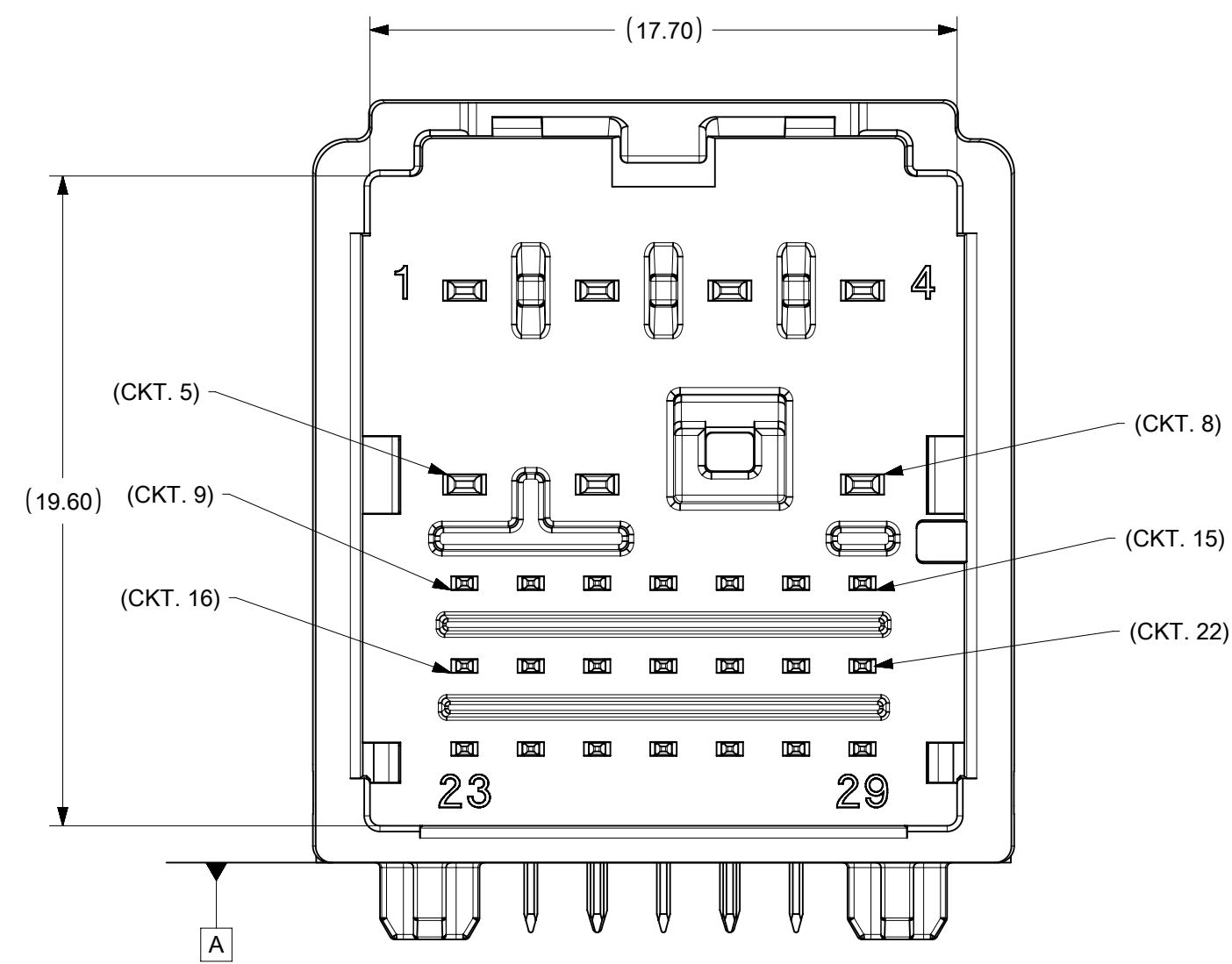
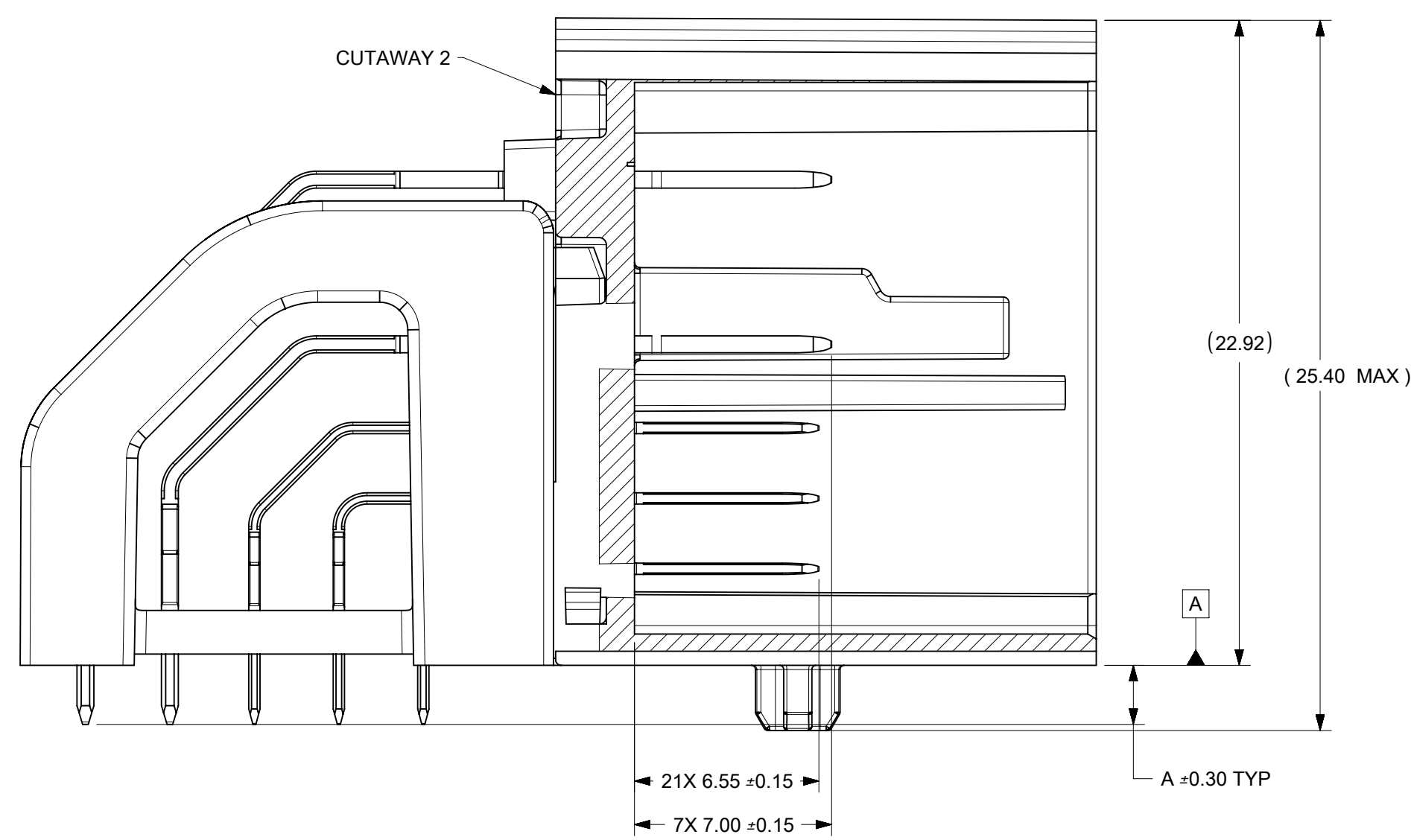
HEADER ASSEMBLY OPTIONS				
PART NUMBER	DIM A*	DIM AA*	DIM B*	DIM C*
1600130041	2.1	2.1	0.40	0.37
1600130641	2.1	2.1	0.40	0.37
1600132041	2.1	2.1	0.40	0.37
1600132641	2.1	2.1	0.40	0.37
1600130023	2.1	2.1	0.40	0.37
1600130623	2.1	2.1	0.40	0.37
1600132023	2.1	2.1	0.40	0.37
1600132623	2.1	2.1	0.40	0.37
1600131024	2.5	2.5	0.53	0.50
1600131624	2.5	2.5	0.53	0.50
1600133041	2.5	2.5	0.53	0.50
1600133641	2.5	2.5	0.53	0.50
1600133023	2.5	2.5	0.53	0.50
1600133623	2.5	2.5	0.53	0.50
160013600X	2.5	2.5	0.53	0.50
160013660X	2.5	2.5	0.53	0.50
1600134023	2.5	3.0	0.68	0.65
1600134623	2.5	3.0	0.68	0.65
1600134141	2.5	3.0	0.68	0.65
1600133624	2.5	2.5	0.53	0.50
1600133724	2.5	2.5	0.53	0.50
1600133741	2.5	2.5	0.53	0.50

*X=1 / 2 / 3 / 4;

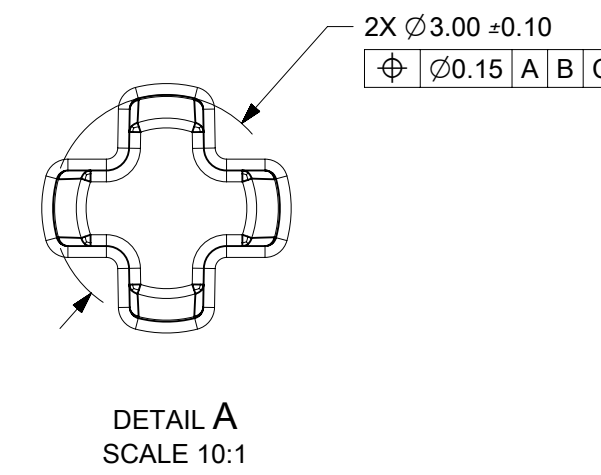
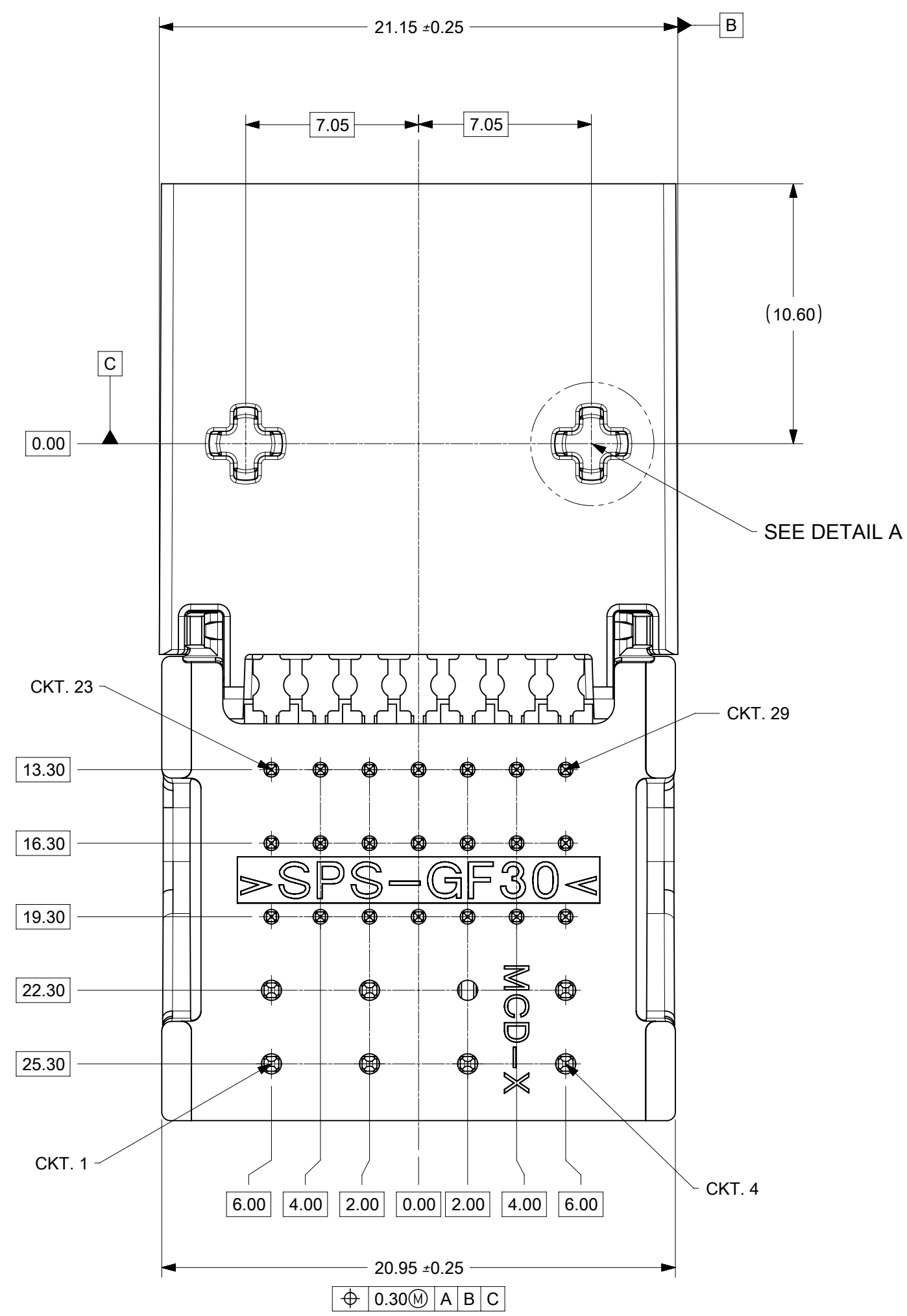


DETAIL C SCALE 10:1

SYMBOLS DIMENSION UNITS: mm SCALE: 5:1 GENERAL TOLERANCES (UNLESS SPECIFIED) ANGULAR TOL ± 3.0° 4 PLACES ± 3 PLACES ± 2 PLACES ± 0.13 1 PLACE ± 0.25 0 PLACES ± DRAFT WHERE APPLICABLE MUST REMAIN WITHIN DIMENSIONS	THIS DRAWING CONTAINS INFORMATION THAT IS PROPRIETARY TO MOLEX ELECTRONIC TECHNOLOGIES, LLC AND SHOULD NOT BE USED WITHOUT WRITTEN PERMISSION CURRENT REV DESC: ADDED NEW PARTS			
	EC NO: 623870 DRWN: JPATE01 2019/09/05 CHK'D: DLANGOLF 2019/09/10 APPR: JCONDON 2019/09/11 INITIAL REVISION: DRWN: JCONDON 2013/12/11 APPR: KDEKOSKI 2014/06/26			
DOCUMENT NUMBER: SD-160013-0001 DOC TYPE: PSD DOC PART: 001 REVISION: A16		MATERIAL NUMBER: SEE CHART CUSTOMER: GENERAL MARKET SHEET NUMBER: 2 OF 4		



PCB LAYOUT FOR REFERENCE ONLY



SYMBOLS	THIS DRAWING CONTAINS INFORMATION THAT IS PROPRIETARY TO MOLEX ELECTRONIC TECHNOLOGIES, LLC AND SHOULD NOT BE USED WITHOUT WRITTEN PERMISSION		
	DIMENSION UNITS	SCALE	CURRENT REV DESC: ADDED NEW PARTS
▽ = 0	mm	5:1	molex INFOTAINMENT HDR ASSY STAK50H SYSTEM PRODUCT CUSTOMER DRAWING
▽ = 0	GENERAL TOLERANCES (UNLESS SPECIFIED)		
▽ = 0	ANGULAR TOL ± 3.0°		
▽ = 0	4 PLACES ±		
▽ = 0	3 PLACES ±		
▽ = 0	2 PLACES ± 0.13		EC NO: 623870 DRWN: JPATE01 2019/09/05 CHK'D: DLANGOLF 2019/09/10 APPR: JCONDON 2019/09/11
▽ = 0	1 PLACE ± 0.25		
▽ = 0	0 PLACES ±		
▽ = 0	DRAFT WHERE APPLICABLE MUST REMAIN WITHIN DIMENSIONS	THIRD ANGLE PROJECTION	INITIAL REVISION:
▽ = 0			DRWN: JCONDON 2013/12/11
			APPR: KDEKOSKI 2014/06/26
	D-DRAWING	SERIES	DOCUMENT NUMBER
	D-SIZE	160013	SD-160013-0001
			DOC TYPE
			PSD
			DOC PART
			001
			REVISION
			A16
			MATERIAL NUMBER
			SEE CHART
			CUSTOMER
			GENERAL MARKET
			SHEET NUMBER
			3 OF 4

