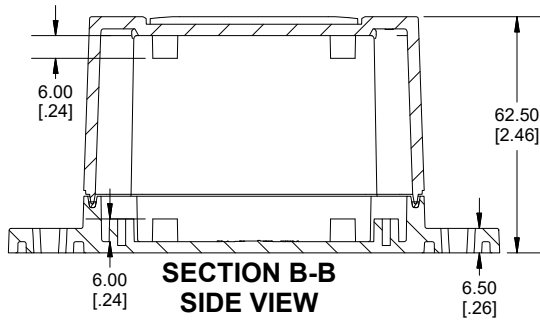
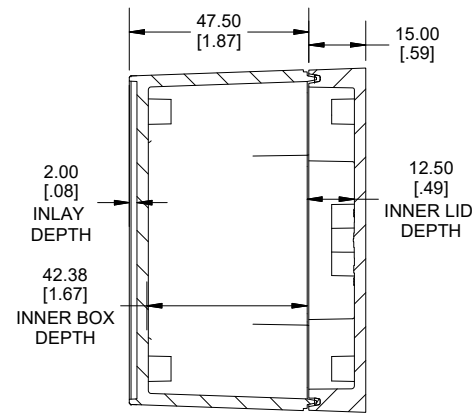


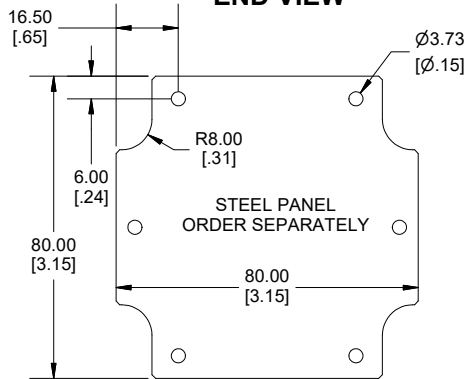
ENCLOSURE ASSEMBLY TOP VIEW



SECTION B-B SIDE VIEW



SECTION A-A END VIEW



STEEL PANEL ORDER SEPARATELY



POLYCARBONATE VERSION ONLY



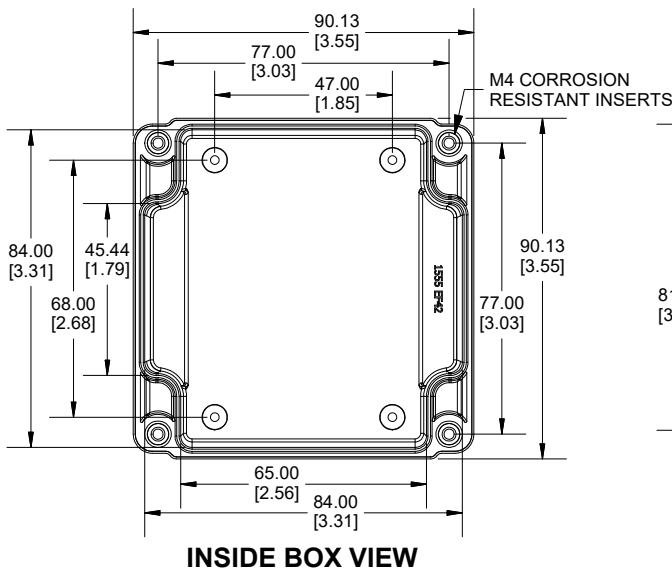
Enclosures can be Factory Modified (Milling, Drilling, Printing etc.)
 Contact Factory (modshop@hammfg.com) for quotes
 Solid models of this enclosure available in .stp or .x_t
 (Part number and text placement/orientation on our products are subject to change, we do not recommend using them as a locating reference for modification purposes)

NOTE

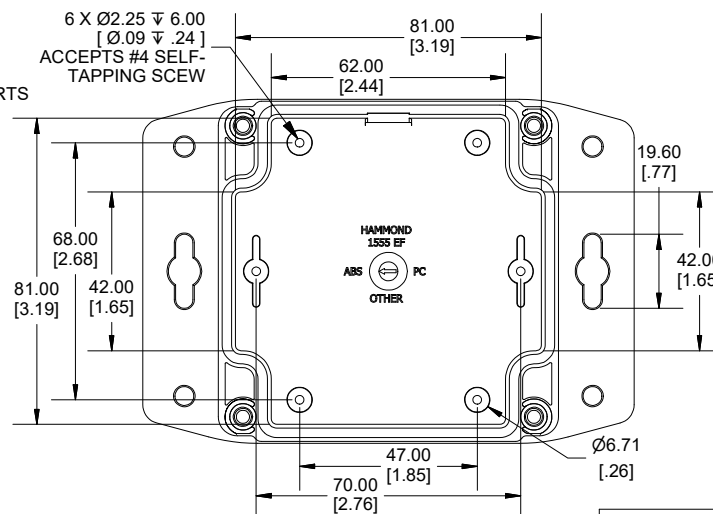
Purchased assembly includes styled box, flanged lid, 4 cover screws, and preformed silicone gasket.

General Purpose ABS version is not UL approved. (Matl UL94 - HB)
 Polycarbonate version is UL 508 approved. (Matl UL94 - 5VA @ 3mm)

Recommended Cover screw torque -- 2.5 lbf-in (30 cN-m)



INSIDE BOX VIEW



INSIDE LID VIEW

Dimensions:
mm
[inches]

1555EF	
1555EF Regular Enclosure	
General Purpose ABS RAL-7035	1555EF42GY
Polycarbonate RAL-7035	1555E2F42GY
ACCESSORIES	
Steel Inner Panels	1555EFPL
Silicone Pre-formed Gasket Black	1554EGASKET
Steel Panel / P.C. Board Self Tapping Screw [#4 X 1/4" (6.4mm) Plated]	1555TS100
Stainless Steel Cover Screws [M4-0.7 X 20mm] (Pkg 50)	SC576-50

HAMMOND MANUFACTURING
1555EF42
www.hammondmfg.com