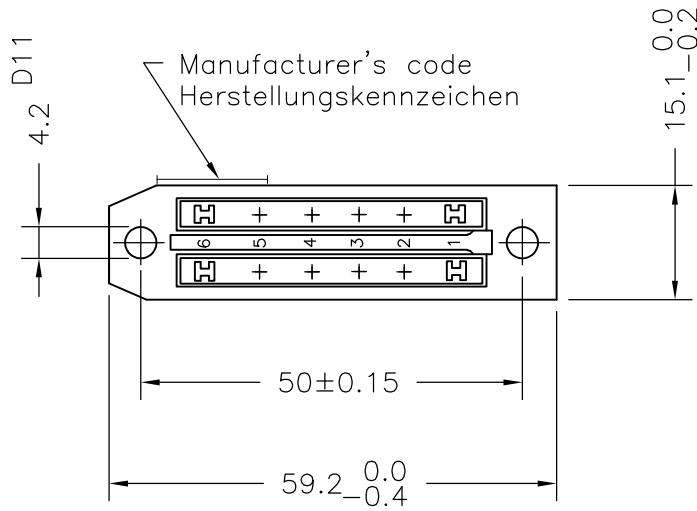
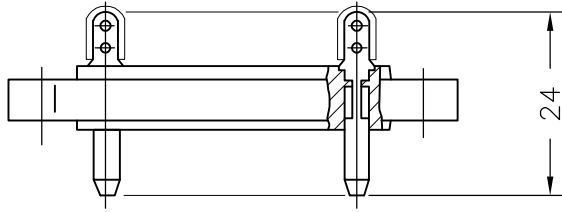


LOC A1	DIST —	REVISIONS			
P	LTR	DESCRIPTION	DATE	DWN	APVD
	A	INITIAL RELEASE	08SEP2009	KVH	RPR



ON THIS MATCHES: 1393725-4 (OLD PN: C42334-A41-A6)
 EQUAL TO: DIN 41622
 SPECIFIED DIMENSION ARE MOUNTING DIMENSIONS

HIERZU PASST PN: 1393725-4
 ENTSPRICHT: DIN 41622
 ANGEGEBENE MAßE SIND EINBAUMAßE

REPLACEMENT FOR DRAWING: C42334-A41-A5-*—6
 ERSATZ FÜR ZEICHNUNG: C42334-A41-A5-*—6

RELEASED FOR PUBLICATION

ALL INTERNATIONAL RIGHTS RESERVED.

BY TYCO ELECTRONICS CORPORATION.

© COPYRIGHT

THIS DRAWING IS UNPUBLISHED.

DIMENSIONS: mm	DWN VIJAY	08SEP2009	MATERIAL —	FINISH —
	CHK DHANESH	08SEP2009	Tyco electronics Corporation (I) Pvt Ltd, Bangalore, India	
TOLERANCES UNLESS OTHERWISE SPECIFIED:	APVD RAJENDRA	08SEP2009		
	0 PLC ± -	PRODUCT SPEC	—	RESTRICTED TO
1 PLC ± -	APPLICATION SPEC	—	SIZE A4	CAGE CODE 00779
2 PLC ± -	WEIGHT	—	DRAWING NO C-1393726-3	REV A
3 PLC ± -			SCALE 1:1	SHEET 1 OF 1
4 PLC ± -				
ANGLES ± 1°				
CUSTOMER DRAWING				