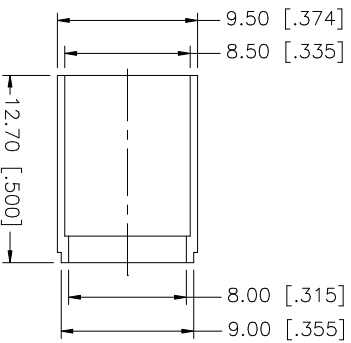
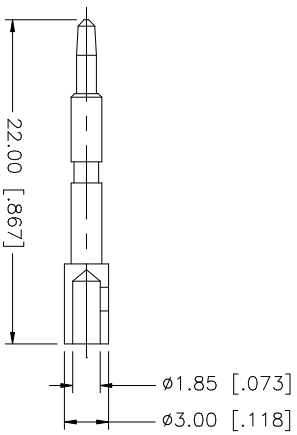
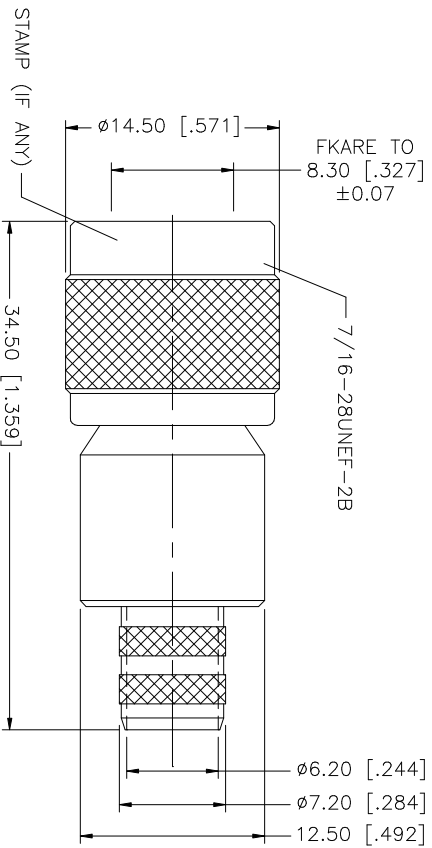
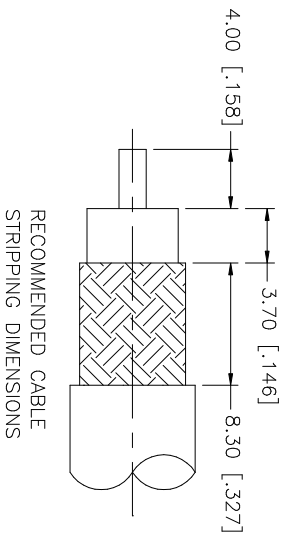


REV.	DATE	DESCRIPTION
NC	05/18/03	INITIAL RELEASE



CRIMP NOTES:

1. CRIMPED FERRULE
HEX CRIMP SIZE .324"
2. CRIMP CONTACT PIN
HEX CRIMP SIZE .100"

NO.	DESCRIPTION	MATERIAL	FINISH	QTY	DO NOT SCALE DRAWING	APPROVALS	DATE	PART DESCRIPTION	DWG. NO.	REV.	SIZE	SCALE
8								<p>Amphenol Connex</p> <p>TNC CRIMP PLUG (FOR TIMES LMR-300)</p> <p>122471</p>	122471.DWG	NC	A	NA
7												
6												
5												
4	FERRULE	BRASS	NICKEL	1								
3	CONTACT PIN	BRASS	GOLD	1								
2	INSULATOR	TEFLON	NATURAL	1								
1	BODY/SHELL	BRASS	NICKEL	1								
<p>UNLESS OTHERWISE SPECIFIED DIMENSIONS ARE IN MILLIMETERS. DIMENSIONS IN [] ARE IN INCHES AND FOR CUSTOMER REFERENCE ONLY.</p> <p>UNLESS OTHERWISE SPECIFIED TOLERANCES FOR MILLIMETERS ARE:</p> <p>0.5 - 8mm ± 0.20mm</p> <p>8 - 30mm ± 0.40mm</p> <p>30 - 120mm ± 0.50mm</p> <p>UNLESS OTHERWISE SPECIFIED TOLERANCES FOR INCHES ARE:</p> <p>.020 - .315 = ± 0.007"</p> <p>.315 - 1.180 = ± 0.015"</p> <p>1.180 - 4.724 = ± 0.020"</p>						CAD FILE	C:/122/122471.DWG					