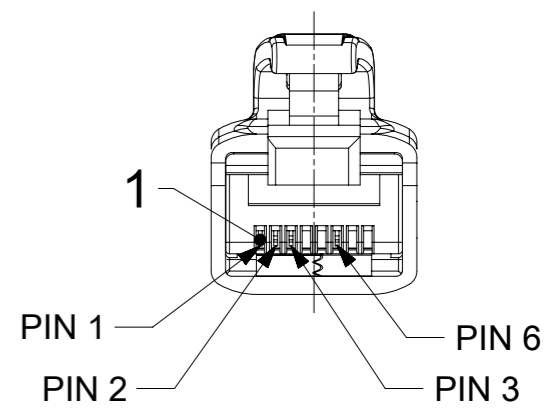
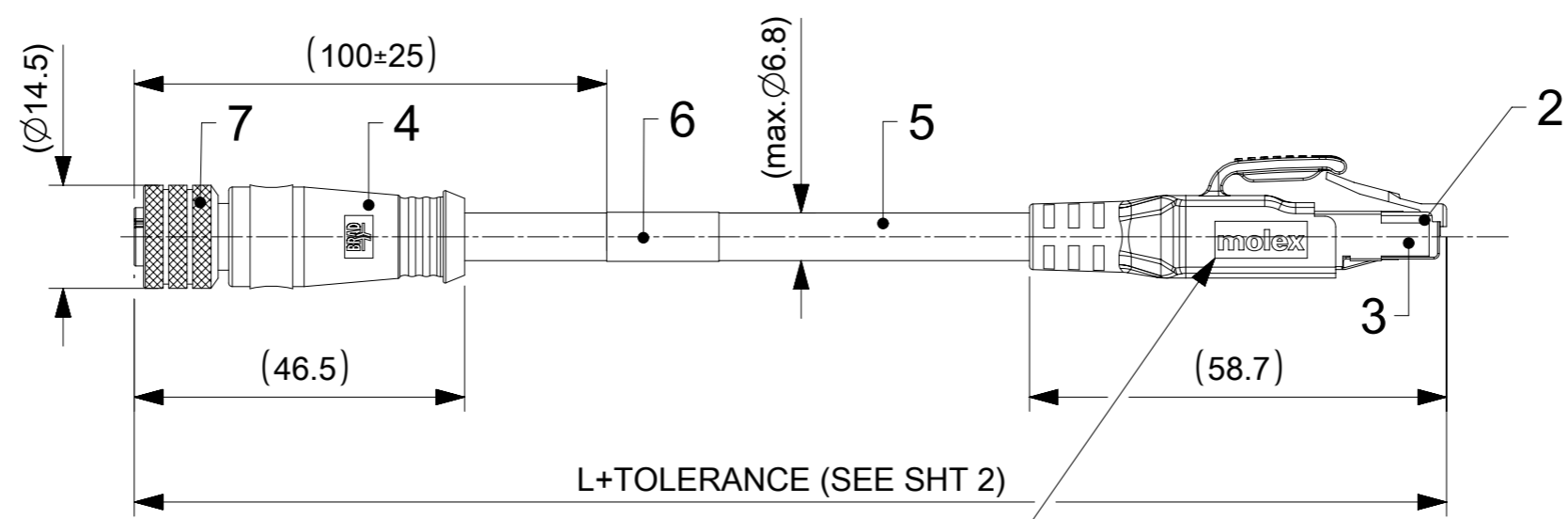
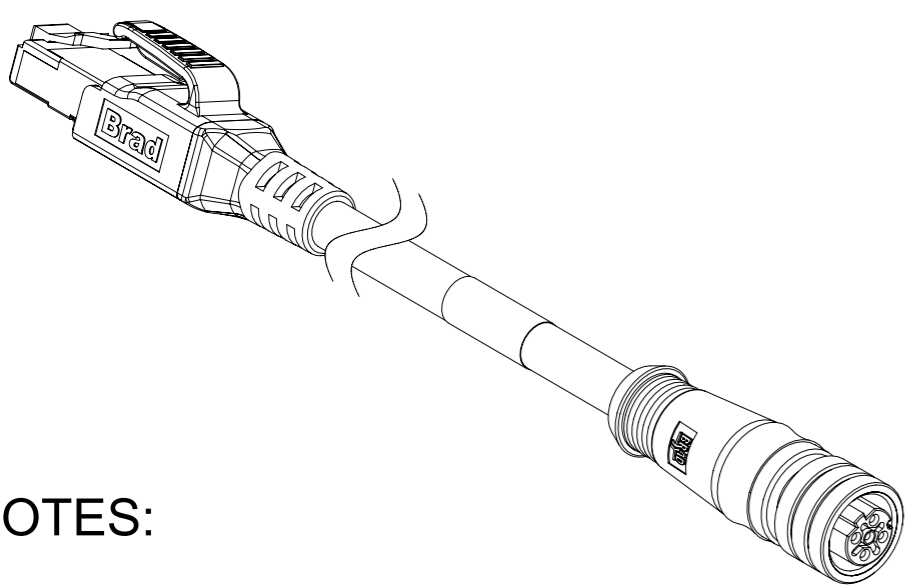
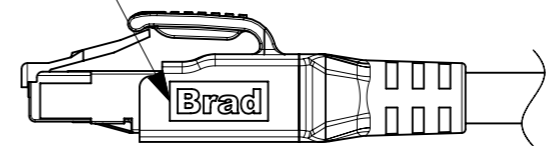


FRONT VIEW
SCALE 2:1

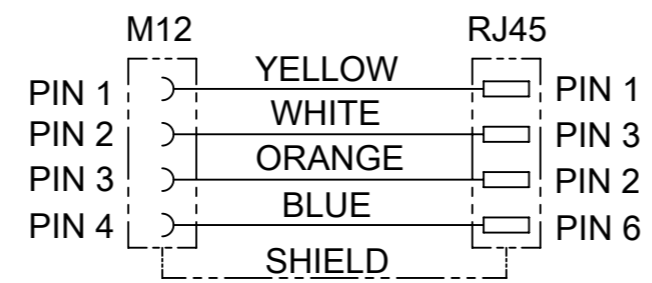


FRONT VIEW
SCALE 2:1

BLACK OVERMOLD
MOLEX LOGO ON ONE SIDE
BRAD LOGO ON OTHER SIDE



WIRING DIAGRAM



BOM

ITEM	QTY.	DESCRIPTION	MATERIAL	FINISH / COLOR
10	1	ORING RED	FPM	---
9	4	CONTACTS M12 MALE	BRASS	SELECTIVE GOLD
8	1	INSERT 4P FEMALE	PUR	BLACK
7	1	COUPLING NUT M12 FEMALE	BRASS	NICKEL
6	1	LABEL 50x69.8	VINYL	WHITE
5	-	CABLE	SEE SHEET 2	---
4	-	OVERMOLD	TPU	BLACK
3	1	SHIELD	BRASS	TIN
2	1	PLUG RJ45 TRANSPARENT	POLYCARBONATE	---
1	4 or 8	CONTACT RJ45 MALE	PHOSPHOR BRONZE	SELECTIVE GOLD

NOTES:

- ELECTRICAL DATA:
MAX. VOLTAGE RATING 60 VDC
MAX. CURRENT PER CONTACT 1.5 A
- ENVIRONMENTAL:
OPERATING TEMPERATURE SEE SHEET 2
INDEX OF PROTECTION RJ45: IP20
INDEX OF PROTECTION M12: IP67
- FOR MORE INFORMATION SEE PRODUCT SPECIFICATION 1201080202 PS P00

THIS DRAWING CONTAINS INFORMATION THAT IS PROPRIETARY TO MOLEX ELECTRONIC TECHNOLOGIES, LLC AND SHOULD NOT BE USED WITHOUT WRITTEN PERMISSION

FUNCTIONAL SYMBOLS: $\nabla_A = 0$, $\nabla_E = 0$, $\nabla_V = 0$

DIMENSION UNITS: mm | SCALE: 1:1

GENERAL TOLERANCES (UNLESS SPECIFIED):
ANGULAR TOL $\pm 1.0^\circ$
4 PLACES \pm
3 PLACES \pm
2 PLACES ± 0.05
1 PLACE ± 0.3
0 PLACES ± 0.5

DIVISIONAL SYMBOLS: DRAFT WHERE APPLICABLE MUST REMAIN WITHIN DIMENSIONS

THIRD ANGLE PROJECTION:

DRAWING: A3-SIZE | SERIES: 120108 | MATERIAL NUMBER: SEE SHEET 2 | CUSTOMER: GENERAL MARKET | SHEET NUMBER: 1 OF 2

EC NO: 672185 | DRWN: SSM | 2021/06/23 | CHK'D: RSILLER | 2021/09/20 | APPR: RSILLER | 2021/09/20

INITIAL REVISION: DRWN: JMARSZALEK | 2016/02/25 | APPR: RSILLER | 2020/05/12

DOCUMENT NUMBER: 1201080264 | DOC TYPE: PSD | DOC PART: 000 | REVISION: B

molex

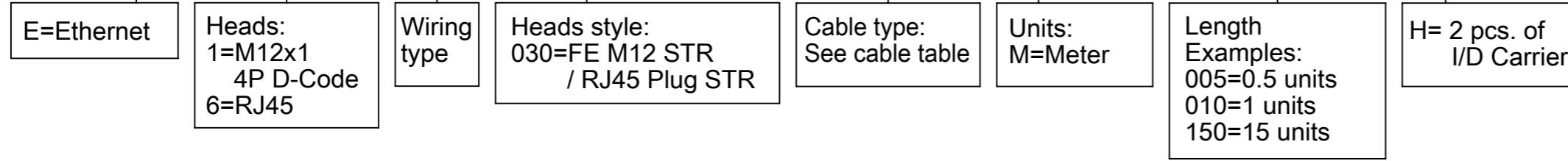
CSE M12 RJ45 4P DC FE STR MA STR XM

PRODUCT CUSTOMER DRAWING

NUMERICAL CODE (Available parts see PART LIST table. Other parts available upon request)

OPTIONS

E 1 6 A 0 3 0 X X M X X X X



CABLE INFORMATION (for more information see Cable Data Sheet).

CABLE TYPE	CABLE O.D.	APPLICATION	CROSS SECTION	CABLE JACKET	UL	TEMP. RANGE STATIC BENDING RADIUS STATIC	TEMP. RANGE DYNAMIC BENDING RADIUS DYNAMIC	CYCLES	ADDITIONAL INFORMATION
11	6.8mm	PROFINET TYPE C	22AWG	PUR GREEN	STYLE 20549	-40°C to +80°C / min.5xO.D.	-20°C to +70°C / min.7.5xO.D.	up to 5 Mio	-
12	6.7mm	PROFINET TYPE C	22AWG	TPU BASED GREEN	STYLE 21215	-40°C to +80°C / min.5xO.D.	-25°C to +80°C / min.15xO.D.	about 2M, min.15xO.D., -5°C to +60°C	WSOR
16	6.5mm	-	24AWG	TPU BASED TEAL	STYLE 21215	-40°C to +80°C / min.6xO.D.	-20°C to +50°C	1M, min.10xO.D. / 2M min.20xO.D. @20°C	WSOR

PART LIST

No.	MOLEX P/N	ENGINEERING NO.	L (CABLE LENGTH)
1	1201080264	E16A03011M010	1m
2	1201080265	E16A03011M020	2m
3	1201080266	E16A03011M050	5m
4	1201088741	E16A03011M900	90m
5	1201088261	E16A03011M300	30m
6			
7			
8			
9			
10			
11			
12			
13			
14			
15			
16			
17			
19			
20			
21			
22			
23			
24			
25			

CABLE LENGTH TOLERANCES

LENGTH	TOLERANCE
0 m-1 m	+40 mm
>1 m-5 m	+60 mm
>5 m-10 m	+80 mm
>10 m-20 m	+140 mm
>20 m-30 m	+160 mm
>30 m	+1% length

FUNCTIONAL SYMBOLS FA = 0 FE = 0 FV = 0	THIS DRAWING CONTAINS INFORMATION THAT IS PROPRIETARY TO MOLEX ELECTRONIC TECHNOLOGIES, LLC AND SHOULD NOT BE USED WITHOUT WRITTEN PERMISSION	CURRENT REV DESC: CABLE AND STDS UPDATED		molex		
	DIMENSION UNITS: mm	SCALE: 1:1	CSE M12 RJ45 4P DC FE STR MA STR XM			
DIVISIONAL SYMBOLS	GENERAL TOLERANCES (UNLESS SPECIFIED)	EC NO: 672185		2021/06/23		
	ANGULAR TOL ± 1.0°	DRWN: SSM		2021/09/20		
	4 PLACES ±	CHK'D: RSILLER		2021/09/20		
	3 PLACES ±	APPR: RSILLER		2021/09/20		
	2 PLACES ± 0.05	INITIAL REVISION:		DOCUMENT NUMBER		
	1 PLACE ± 0.3	DRWN: JMARSZALEK		1201080264		DOC TYPE
	0 PLACES ± 0.5	APPR: RSILLER		2020/05/12		DOC PART
	DRAFT WHERE APPLICABLE MUST REMAIN WITHIN DIMENSIONS	THIRD ANGLE PROJECTION	DRAWING	SERIES	MATERIAL NUMBER	CUSTOMER
			A3-SIZE	120108	SEE SHEET 2	GENERAL MARKET
						REVISION
						000
						B
						SHEET NUMBER
						2 OF 2