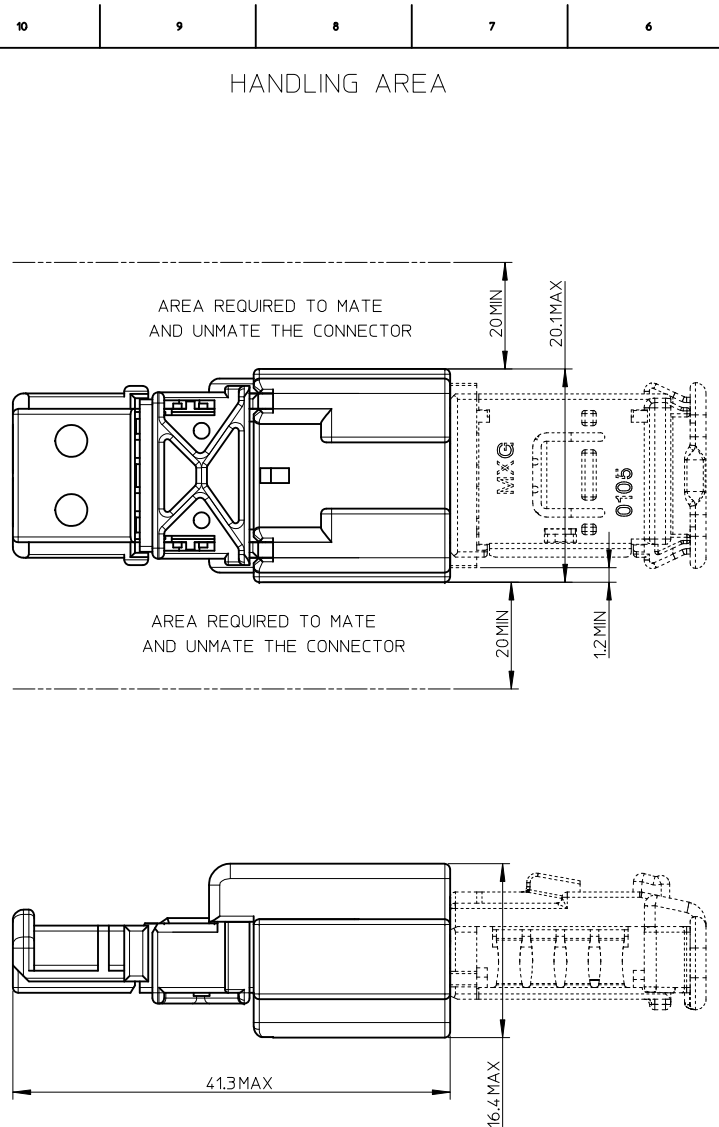
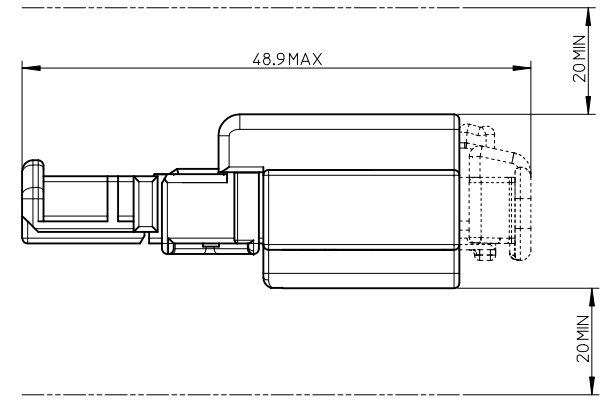


CODING 4:1

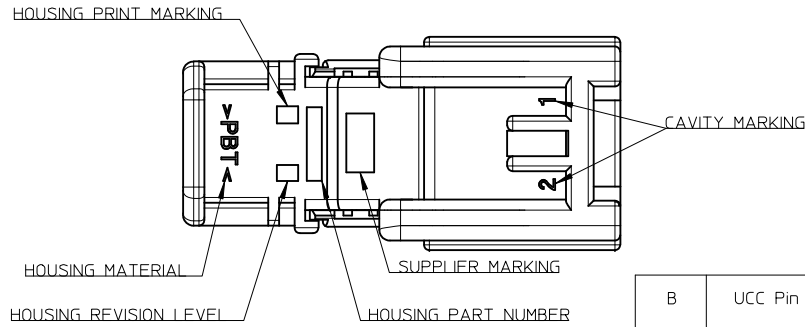
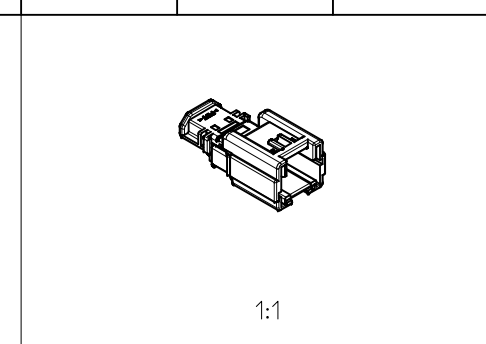
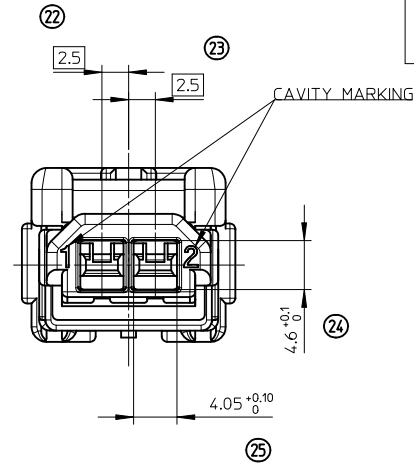
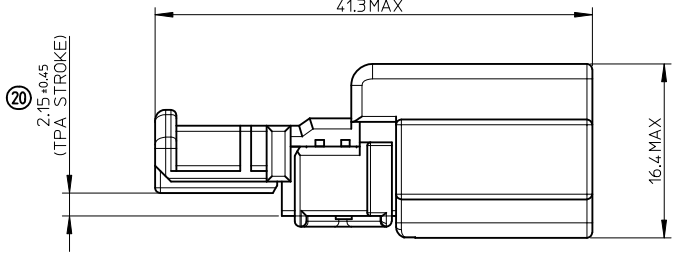
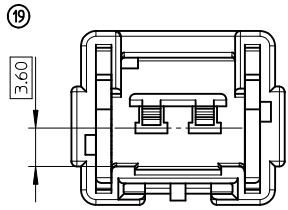
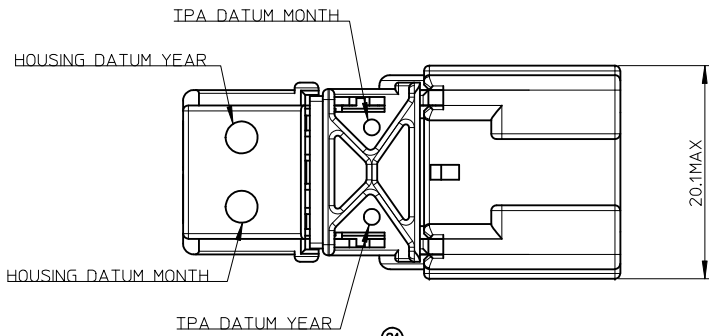


- NOTE : 1 - The using conditions of the hinge are showed in the MOLEX specification n°AS-98821-001.
- 2 - Male terminal used : SICMA3 2.8mm
- 3 - Female connector will mate with male connector P/N 09881910xx

AREA REQUIRED WHEN THE CONNECTOR IS MATED



<b>FIRST RELEASE</b> EC NO: G2010-0051 DRWNL:POUCHAUD 2009/03/04 CHKCD:JOUCLIOS 2010/07/07 APPR:OPLESSIS 2010/09/02	QUALITY SYMBOLS 	GENERAL TOLERANCES (UNLESS SPECIFIED)		DIMENSION STYLE <b>MM ONLY</b>	SCALE <b>3:1</b>	DESIGN UNITS <b>METRIC</b>	THIRD ANGLE PROJECTION	
		mm	INCH	DRAWN BY VLOUVANCOUR	DATE 2008/12/02	TITLE <b>UCC PIN CONN UNSEALED W/ 2CKT</b>		
		4 PLACES ± ---	± ---	CHECKED BY YIGEL	DATE 2008/12/03	MOLEX INCORPORATED		
		3 PLACES ± ---	± ---	APPROVED BY JOUCLIOS	DATE 2008/12/04	MATERIAL NO. <b>SD-98824-002</b>	DOCUMENT NO.	SHEET NO. 1 OF 2
2 PLACES ± 0.05	± ---	DRAFT WHERE APPLICABLE MUST REMAIN WITHIN DIMENSIONS		SEE CHART			THIS DRAWING CONTAINS INFORMATION THAT IS PROPRIETARY TO MOLEX INCORPORATED AND SHOULD NOT BE USED WITHOUT WRITTEN PERMISSION	
1 PLACE ± 0.1	± ---	ANGULAR ± 1 °						



BLACK CODING (P/N 0988241021) IS SHOWN.

B	UCC Pin Conn Blue TPA 2Ckt	0988240026	Blue	POLYAMIDE (PA 6.6 20%FG)	0.577 g															
A	UCC Pin Conn 2.8 2Ckt	0988240025	Green	POLYESTER (PBT)	4.627 g															
		0988240021	Black																	
		0988240010	White																	
Item	Description	Part-Number	Color	Raw Material	Weight effective															
<b>FIRST RELEASE</b> EC NO: G2010-0051 DRAWN: POUCHAUD 2009/03/04 CHKD: JUCLOS 2010/07/07 APPR: OPLESSIS 2010/09/02		<b>QUALITY SYMBOLS</b> ▽=0 ▽=0		<b>GENERAL TOLERANCES (UNLESS SPECIFIED)</b> <table border="1"> <tr> <td></td> <td>mm</td> <td>INCH</td> </tr> <tr> <td>4 PLACES</td> <td>± ---</td> <td>± ---</td> </tr> <tr> <td>3 PLACES</td> <td>± ---</td> <td>± ---</td> </tr> <tr> <td>2 PLACES</td> <td>± 0.05</td> <td>± ---</td> </tr> <tr> <td>1 PLACE</td> <td>± 0.1</td> <td>± ---</td> </tr> </table> ANGULAR ± 1 ° DRAFT WHERE APPLICABLE MUST REMAIN WITHIN DIMENSIONS			mm	INCH	4 PLACES	± ---	± ---	3 PLACES	± ---	± ---	2 PLACES	± 0.05	± ---	1 PLACE	± 0.1	± ---
	mm	INCH																		
4 PLACES	± ---	± ---																		
3 PLACES	± ---	± ---																		
2 PLACES	± 0.05	± ---																		
1 PLACE	± 0.1	± ---																		
		<b>DIMENSION STYLE</b> MM ONLY		SCALE 4:1	DESIGN UNITS METRIC															
		DRAWN BY: VLOUVANCOUR CHECKED BY: YIGEL APPROVED BY: JUCLOS		DATE: 2008/12/02 DATE: 2008/12/03 DATE: 2008/12/04																
		MATERIAL NO.		TITLE UCC PIN CONN UNSEALED W/ 2CKT																
		<b>SEE CHART</b>		<b>MOLEX INCORPORATED</b> SD-98824-002																
		SIZE A 2		SHEET NO. 2 OF 2																
THIS DRAWING CONTAINS INFORMATION THAT IS PROPRIETARY TO MOLEX INCORPORATED AND SHOULD NOT BE USED WITHOUT WRITTEN PERMISSION																				