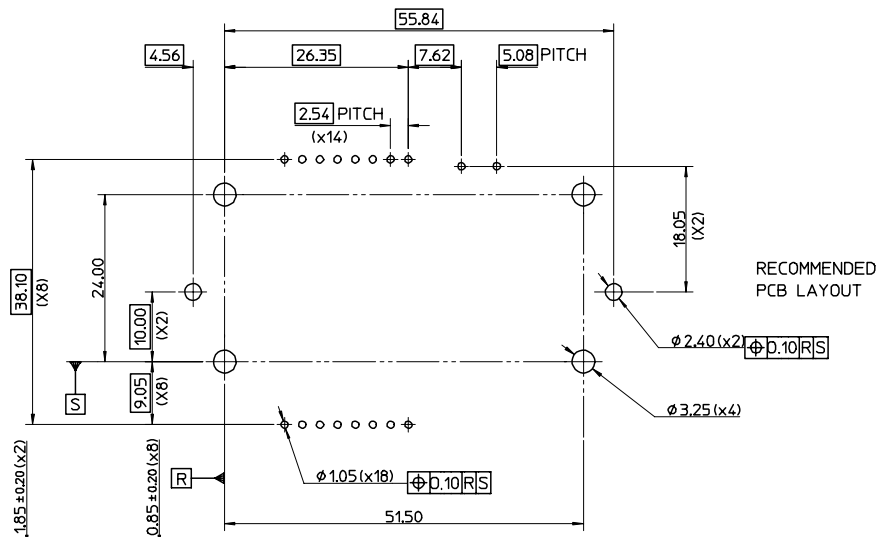
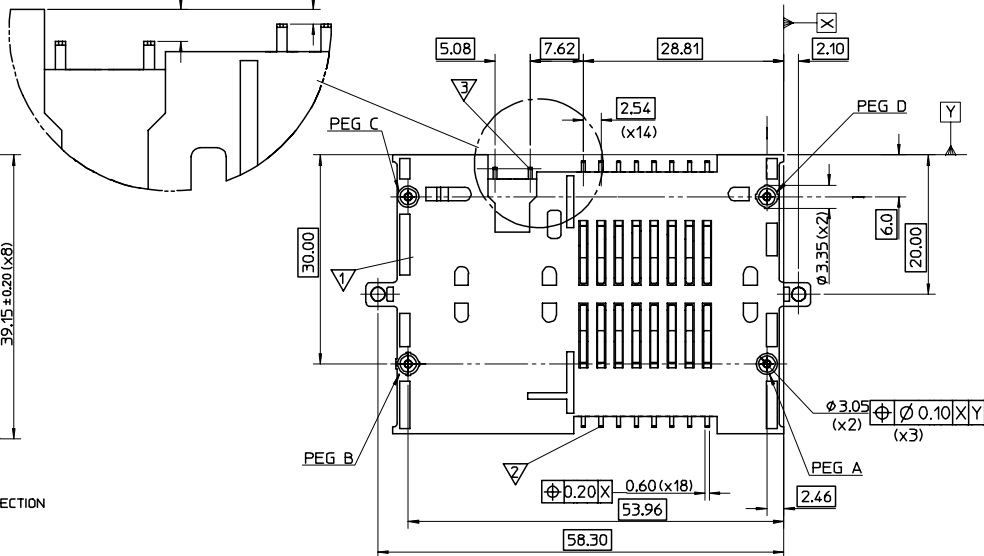
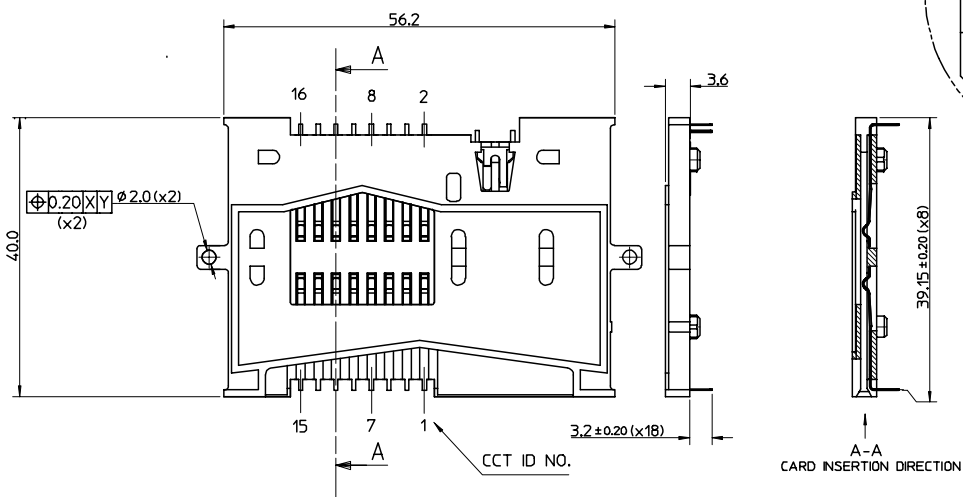


ITEM	COMPONENT	QTY	MATERIAL
▽	HOUSING	1	POLYAMIDE (PA46) ,45% GLASS FILL ,COLOUR BLACK
▽	SIGNAL TERMINAL	SEE CHART	0.20 REF. THK. PHOSPHOR BRONZE GOLD OVER NICKEL ON CONTACT AREA
▽	SWITCH CONTACT	1	TIN IN SOLDER AREA. NICKEL UNDERCOAT ALLOVER

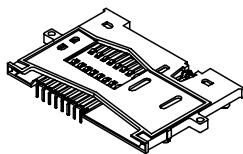
PART NO.	CCT SIZE WITH PEGS	HOLD DOWN FEATURES	PART NO.	CCT SIZE WITH PEGS	HOLD DOWN FEATURES
91322-0004	8 A,B,C,D	YES	91322-0003	16 A,B,C,D	YES
91322-0026	8 A,B,C,D	NO	91322-0040	16 A,B,C,D	NO
91322-0019	8 A,C	YES	91322-0033	16 A,C	YES
91322-0020	8 A,C	NO	91322-0034	16 A,C	NO
91322-0021	8 B,D	YES	91322-0035	16 B,D	YES </td
91322-0022	8 B,D	NO	91322-0036	16 B,D	NO
91322-0023	8 NONE	YES	91322-0037	16 NONE	YES
91322-0024	8 NONE	NO	91322-0038	16 NONE	NO



RECOMMENDED
PCB LAYOUT



NOTES:
1. SEE PRODUCT SPECIFICATION PS-91321-005
2. PACKAGING: TRAYS.



DRAWING ERROR	QUALITY SYMBOLS	GENERAL TOLERANCES (UNLESS SPECIFIED)		SCALE	DESIGN UNITS	THIRD ANGLE PROJECTION	REVISE ON CAD ONLY	
		mm	INCH	2 : 1	METRIC		TITLE	
EC NO: E2006-0249 DRAWN: DBYRNES 08/11/2004 CHKD: 2005/10/04 APPR: BMAGUIRE 2005/10/12	▽ 0 ∇ 0	4 PLACES	± ---	± ---	DIMENSION STYLE MM ONLY	MKEANE 98/08/28 JHORGAN 98/08/28	SMART CARD CONNECTOR FRICTION (THRU HOLE)	
		3 PLACES	± ---	± ---			MOLEX INCORPORATED	
REV	DESCRIPTION	2 PLACES	± 0.05	± ---	DRAFT WHERE APPLICABLE MUST REMAIN WITHIN DIMENSIONS	APPROVED BY MWLHITE 98/08/28	SEE CHART SD-91322-005	
		1 PLACE	± 0.10	± ---			SHEET NO. 1 OF 1	
THIS DRAWING CONTAINS INFORMATION THAT IS PROPRIETARY TO MOLEX INCORPORATED AND SHOULD NOT BE USED WITHOUT WRITTEN PERMISSION						A2		