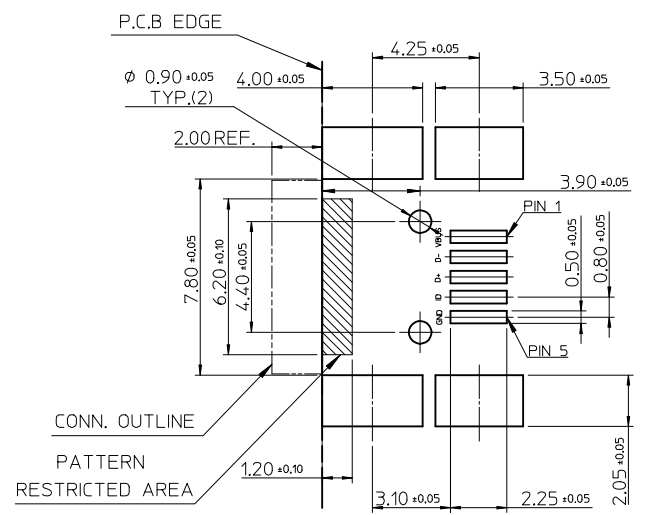
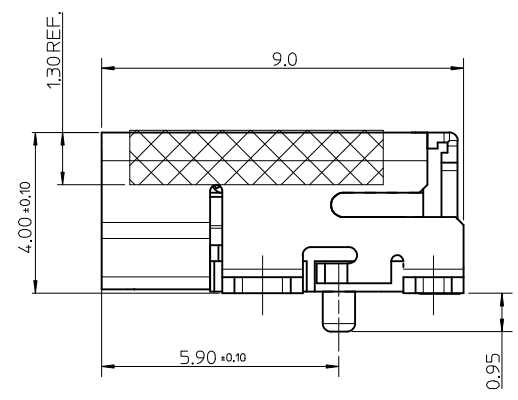
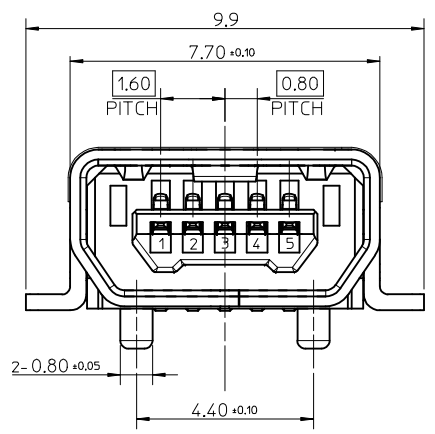


NOTE :

- MATERIAL :
 HOUSING : NYLON GLASS FILLED , GRAY,UL94V-0
 TERMINAL : COPPER ALLOY THICKNESS = 0.2 MM
 SHIELD CASE : COPPER ALLOY THICKNESS = 0.4 MM
- PLATING :
 TERMINAL:
 CONTACT AREA : GOLD 0.75 MICROMETER MINIMUM.
 SOLDER TAIL AREA : PURE TIN 3.8 MICROMETER MINIMUM.
 UNDER PLATING : NICKEL 1.25 MICROMETER MINIMUM.
 SHIELD CASE :
 PURE TIN 1~3 MICROMETER MINIMUM.
 UNDER PLATING : NICKEL 1.0 MICROMETER MINIMUM.
- TAIL & NAIL COPLANARITY 0.1 mm MAXIMUM.



RECOMMENDED P.C.B. PATTERN LAYOUT

COMPONENT P/N	REMARK
67803-8020	WITH COVER TAPE
67803-8021	WITHOUT COVER TAPE

REVISE EC NO: SH2006-0852 DRWN: XJSONG 2006/06/30 CHKD: IWANG 2006/07/04 APPR: JNCHEN 2006/07/05 REV DESCRIPTION	QUALITY SYMBOLS ▽=0 ▽=0	GENERAL TOLERANCES (UNLESS SPECIFIED) <table border="1"> <thead> <tr> <th></th> <th>mm</th> <th>INCH</th> </tr> </thead> <tbody> <tr> <td>4 PLACES</td> <td>± ---</td> <td>± ---</td> </tr> <tr> <td>3 PLACES</td> <td>± ---</td> <td>± ---</td> </tr> <tr> <td>2 PLACES</td> <td>± 0.25</td> <td>± ---</td> </tr> <tr> <td>1 PLACE</td> <td>± 0.25</td> <td>± ---</td> </tr> </tbody> </table>		mm	INCH	4 PLACES	± ---	± ---	3 PLACES	± ---	± ---	2 PLACES	± 0.25	± ---	1 PLACE	± 0.25	± ---	DIMENSION STYLE MM ONLY DRAWN BY DATE JACK 2004/11/23 CHECKED BY DATE HARVEY 2004/11/23 APPROVED BY DATE YTYAP 2004/11/23	SCALE 8:1 DESIGN UNITS METRIC THIRD ANGLE PROJECTION	TITLE USB SERIES MINI-AB REC. ASS'Y SMT TYPE (LEAD-FREE)
		mm	INCH																	
	4 PLACES	± ---	± ---																	
	3 PLACES	± ---	± ---																	
2 PLACES	± 0.25	± ---																		
1 PLACE	± 0.25	± ---																		
DRAFT WHERE APPLICABLE MUST REMAIN WITHIN DIMENSIONS		MATERIAL NO. SEE TABLE	DOCUMENT NO. SD-67803-002	SHEET NO. 1 OF 1																
THIS DRAWING CONTAINS INFORMATION THAT IS PROPRIETARY TO MOLEX INCORPORATED AND SHOULD NOT BE USED WITHOUT WRITTEN PERMISSION																				