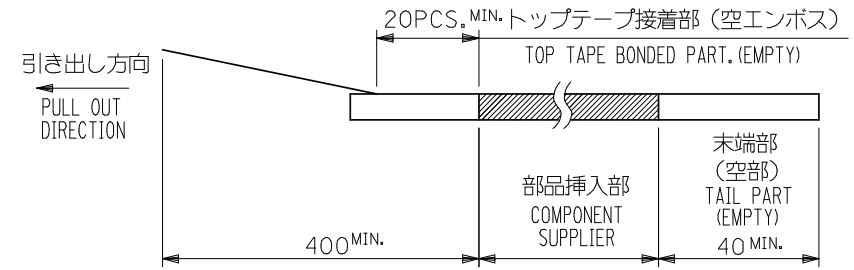
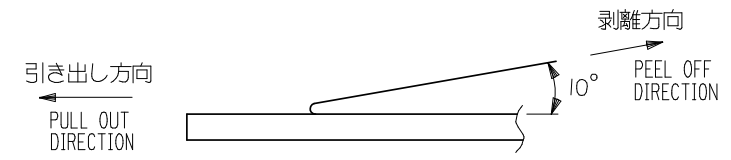


注記 NOTES.

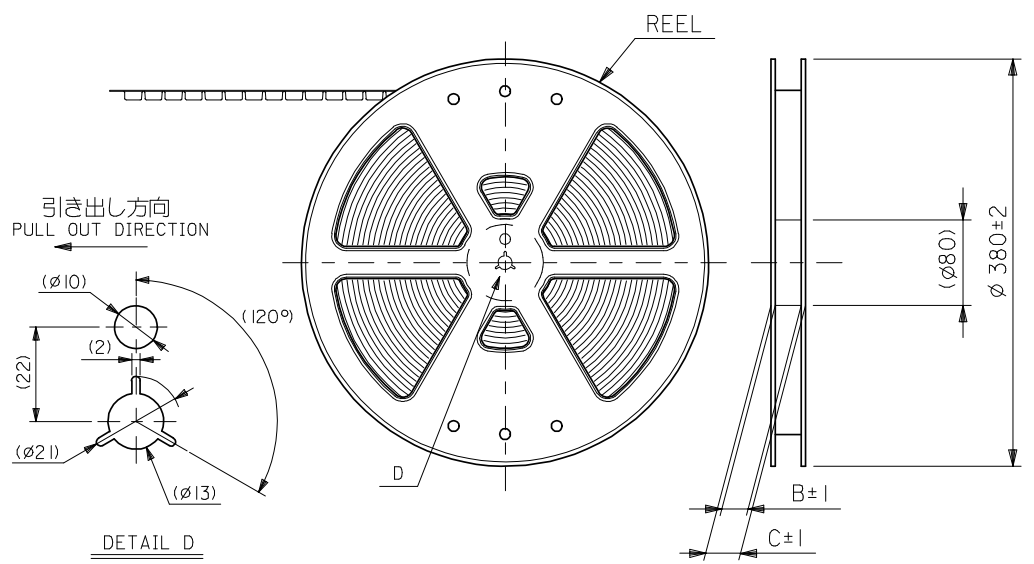
- 製品詳細寸法については図面 SD-53929-005 を参照下さい。
RE DETAILED DIMENSION, SEE SD-53929-005.
- 梱包数量：3000個/リール
NUMBER OF CONNECTORS : 3000PCS/REEL
- リードテープ長さ LEAD TAPE LENGTH



- トップテープの剥離強度：0.1～1.3N {10～130gf}
(剥離方向は下図参照)
尚、本規格値は出荷時に適用。(但し、輸送時に剥離が発生しないこと。)
PEELING OFF FORCE OF TOP TAPE : 0.1～1.3N {10～130gf}
(PEELING DIRECTION AS SHOWN IN FOLLOWING FIG.)
THIS REQUIREMENT SHOULD BE APPLIED AT SHIPMENT.
PEEL OFF SHOULD NOT BE ALLOWED , DURING TRANSPORTATION.



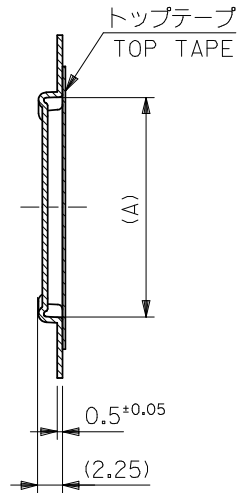
- 材料 (MATERIAL)
キャリアテープ (CARRIER TAPE) : ポリプロピレン (POLYPROPYLENE)
トップテープ (TOPTAPE) : PET , PE , PEF
リール (REEL) : ポリスチレン (PS) <リサイクル材を含む>
POLYSTYREN (PS) <RECYCLE MATERIAL CONTAINED>
- 本製品は 53929-***8 の鉛フリー品である。
THIS PRODUCT IS LEAD FREE OF 53929-***8.



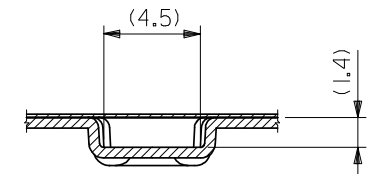
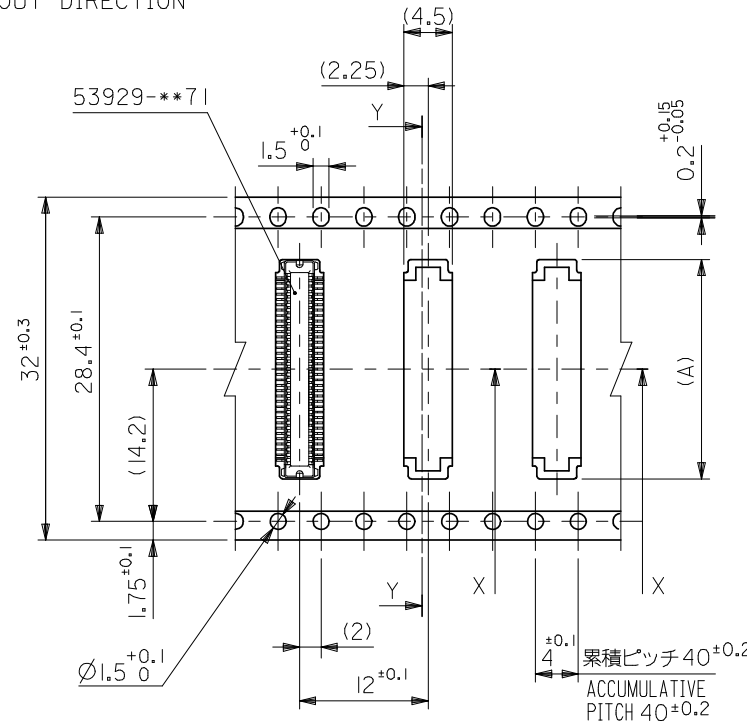
MODEL NO. 53929-***78

REVISED EC NO: J2008-3821 DRW:K INOSHITAA 2008/05/07 CHKD:T HARUYAMA 2008/05/07 APPR:NUKITA 2008/05/12	GENERAL TOLERANCES (UNLESS SPECIFIED)		DIMENSION STYLE MM ONLY		SCALE ---	DESIGN UNITS METRIC	THIRD ANGLE PROJECTION	
	10 UNDER	± ---	DRAWN BY H. KAWABATA	DATE '04/3/15	TITLE 0.5 BTB CONN PLUG ASSY WITH NAIL EMBSTP PKG -LEAD FREE-			
	10 OVER 30 UNDER	± ---	CHECKED BY K. TOJO	DATE '04/3/15				
	30 OVER	± ---	APPROVED BY M. SASAO	DATE '04/3/15	MOLEX INCORPORATED			
	ANGULAR	± --- °	MATERIAL NO.					
	DRAFT WHERE APPLICABLE MUST REMAIN WITHIN DIMENSIONS		SEE TABLE		SD-53929-006		1 OF 3	
SIZE A3		THIS DRAWING CONTAINS INFORMATION THAT IS PROPRIETARY TO MOLEX INCORPORATED AND SHOULD NOT BE USED WITHOUT WRITTEN PERMISSION						

引き出し方向
PULL OUT DIRECTION



SECT. Y-Y



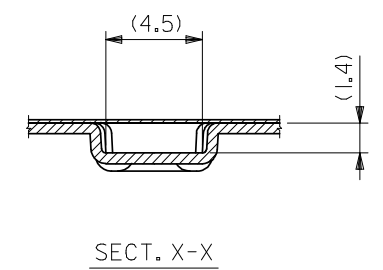
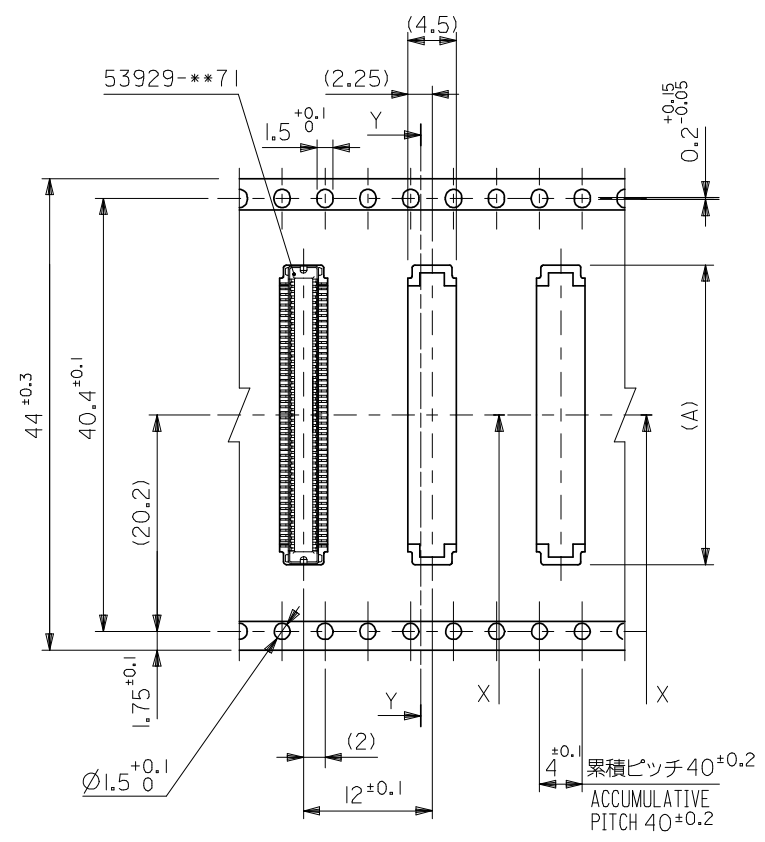
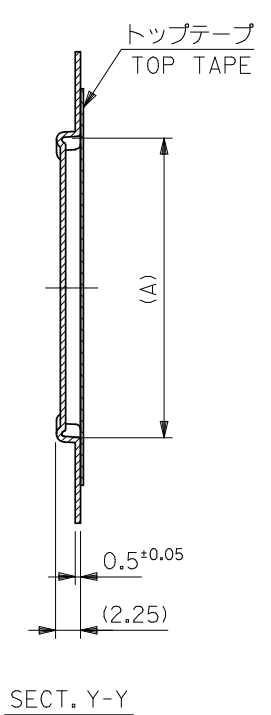
SECT. X-X

32mm幅キャリアテープ
32mm WIDTH CARRIER TAPE

MODEL NO.	53929-**78	32	37.4	33.4	20.45	53929-0778	70
		キャリアテープ幅 CARRIER TAPE WIDTH	C	B	(A)	MATERIAL NO.	極数 CKT.

REVISED EC NO: J2008-3821 DRW: K. INOSHITA 2008/05/07 CHK: T. HARUYAMA 2008/05/07 APPR: NUKITA 2008/05/12	GENERAL TOLERANCES (UNLESS SPECIFIED)		DIMENSION STYLE		SCALE	DESIGN UNITS	THIRD ANGLE PROJECTION
	10 UNDER ±---		MM ONLY		---	METRIC	☉
	10 OVER 30 UNDER ±---		DRAWN BY DATE		TITLE		
	30 OVER ±---		H. KAWABATA '04/3/5		0.5 BTB CONN PLUG ASSY WITH NAIL EMBSTP PKG -LEAD FREE-		
	ANGULAR ±--- °		CHECKED BY DATE		MOLEX MOLEX INCORPORATED		
DRAFT WHERE APPLICABLE MUST REMAIN WITHIN DIMENSIONS		M. SASAO '04/3/5		MATERIAL NO.		DOCUMENT NO.	SHEET NO.
		SEE TABLE		SD-53929-006		2 OF 3	
		THIS DRAWING CONTAINS INFORMATION THAT IS PROPRIETARY TO MOLEX INCORPORATED AND SHOULD NOT BE USED WITHOUT WRITTEN PERMISSION					

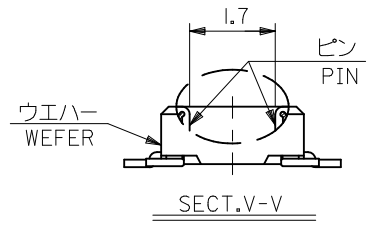
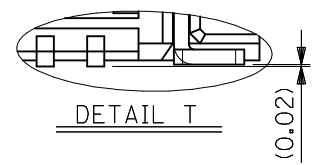
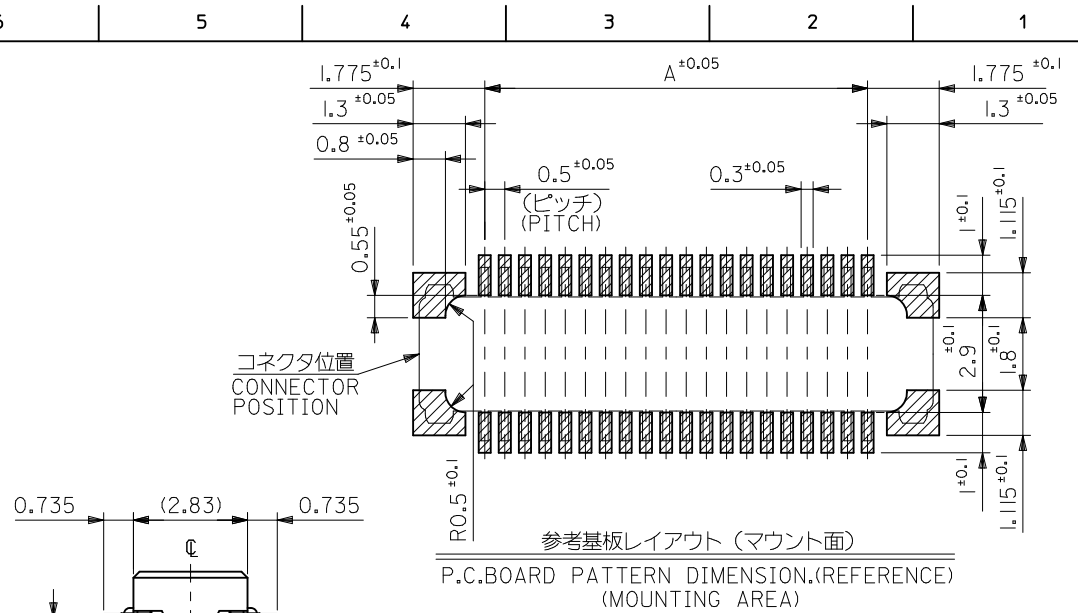
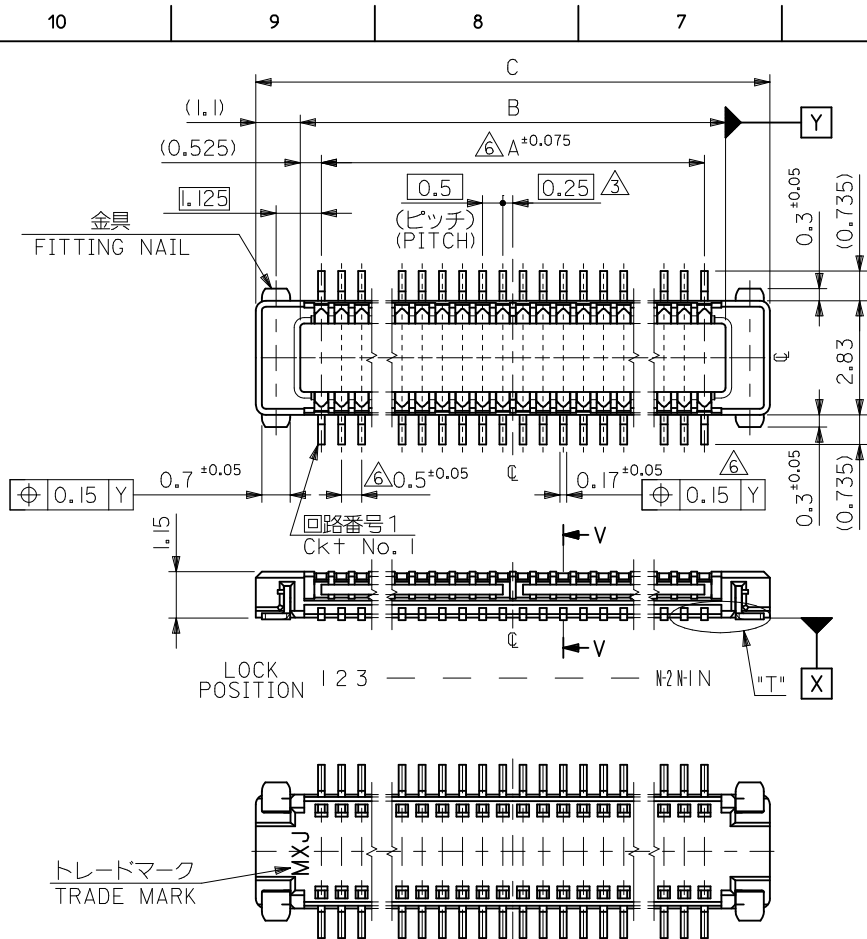
引き出し方向
PULL OUT DIRECTION



44mm幅キャリアテープ
44mm WIDTH CARRIER TAPE

MODEL NO.	53929-**78	キャリアテープ幅 CARRIER TAPE WIDTH	44	49.4	45.4	27.95	53929-1078	100
						22.95	53929-0878	80
							MATERIAL NO.	極数 CKT

REVISED EC NO: J2008-3821 DRW: K INOSHITA 2008/05/07 CHK: T HARUYAMA 2008/05/07 APPR: NUKITA 2008/05/12	GENERAL TOLERANCES (UNLESS SPECIFIED)		DIMENSION STYLE MM ONLY		SCALE ---	DESIGN UNITS METRIC	THIRD ANGLE PROJECTION	
	10 UNDER	± ---	DRAWN BY H. KAWABATA	DATE '04/3/15	TITLE 0.5 BTB CONN PLUG ASSY WITH NAIL EMBSTP PKG -LEAD FREE-			
	10 OVER 30 UNDER	± ---	CHECKED BY K. TOJO	DATE '04/3/15				
	30 OVER	± ---	APPROVED BY M. SASAO	DATE '04/3/15				
	ANGULAR	± --- °	MATERIAL NO. SEE TABLE		DOCUMENT NO. SD-53929-006		SHEET NO. 3 OF 3	
DRAFT WHERE APPLICABLE MUST REMAIN WITHIN DIMENSIONS		THIS DRAWING CONTAINS INFORMATION THAT IS PROPRIETARY TO MOLEX INCORPORATED AND SHOULD NOT BE USED WITHOUT WRITTEN PERMISSION						



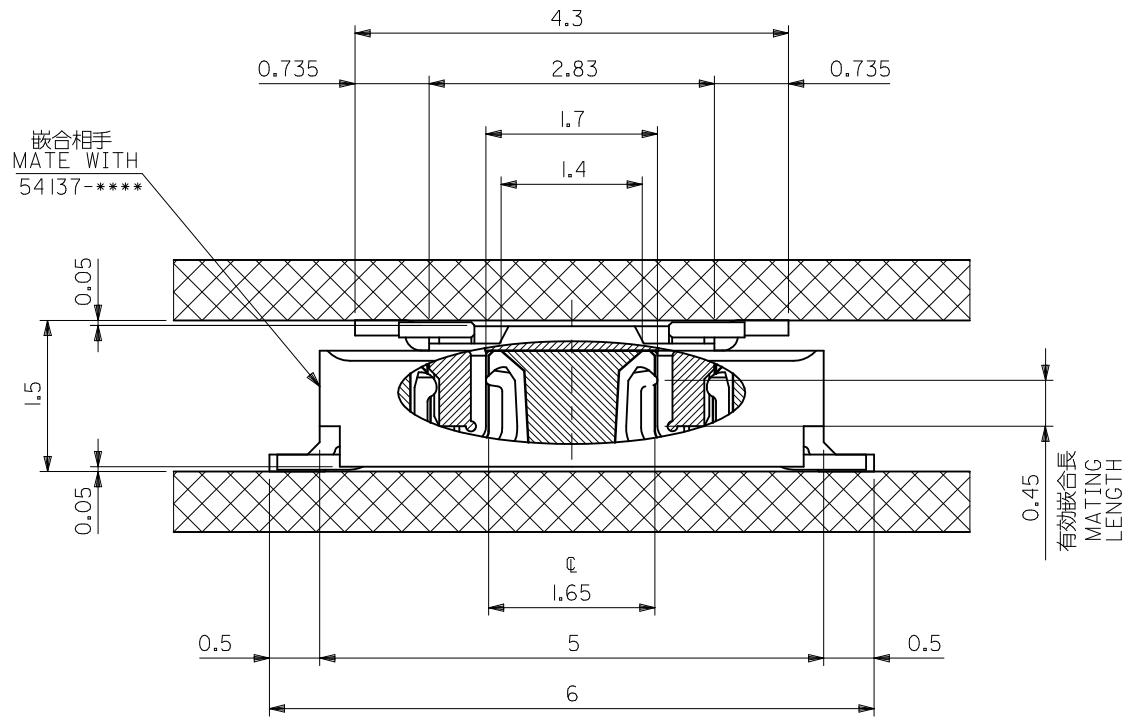
注記 NOTES:
 1. 材質
 MATERIAL
 ハウジング: LCP、ガラス充填、黒色, UL94V-0
 HOUSING: LIQUID CRYSTAL POLYMER, GLASS FILLED, BLACK, UL94V-0
 ターミナル: 黄銅 (t=0.15)
 TERMINAL: BRASS (t=0.15)
 ネイル: リン青銅 (t=0.15)
 NAIL: PHOSPHOR BRONZE (t=0.15)
 2. メッキ仕様
 PLATING
 ターミナル
 TERMINAL
 接点部: 金メッキ 0.25 μm以上
 CONTACT AREA: GOLD 0.25 MICROMETER MINIMUM.
 半田付け部: 金メッキ 0.1 μm以上
 SOLDER TAIL: GOLD 0.1 MICROMETER MINIMUM.
 下地メッキ: ニッケルメッキ 1.5 μm以上
 UNDER PLATING: NICKEL 1.5 MICROMETER MINIMUM.
 ネイル
 NAIL
 鍍メッキ: 1.0 μm以上
 TIN PLATING: 1.0 MICROMETER MINIMUM.
 下地メッキ: ニッケルメッキ 1.0 μm以上
 UNDER PLATING: NICKEL PLATING 1.0 MICROMETER MINIMUM.
 △ (全極数/2) = 偶数の場合に適用
 APPLY FOR (CIRCUIT/2) = EVEN.

- 嵌合相手: 54137-****
MATED CONN.: 54137-****
- テール平坦度は、0.08以下。テールとネイルを併せた平坦度は、0.1以下とする。
TAIL COPLANARITY TO BE 0.08 MAXIMUM.
TAILS AND NAILS COPLANARITY TO BE 0.1 MAXIMUM.
- テール部に適用
APPLY TO THE TAIL AREA.
- 本製品は53929-**78ネイル圧入品です。
THIS PRODUCT IS NAIL-FITTING ITEM OF 53929-**78.

27.75	25.55	24.5	53929-1078	100
22.75	20.55	19.5	53929-0878	80
C	B	A	EMBOSSED PACKAGE ORDER No. オート番号	Ckt+

CONNECTOR SERIES No. 53929-**71

REVISED EC NO: J2013-0632 DRW:KTOYODA CHKD:TASAKAWA APPR:MSASAO 2012/12/03 2012/12/04 2013/02/20	DESCRIPTION	GENERAL TOLERANCES (UNLESS SPECIFIED)		DIMENSION STYLE MM ONLY		SCALE 8:1	DESIGN UNITS METRIC		THIRD ANGLE PROJECTION
		10 UNDER	±0.2	DRAWN BY KTOYODA	DATE 2010/12/09	TITLE 0.5 B/B CONN PLUG WITH NAIL			
		10 OVER 30 UNDER	±0.25	CHECKED BY MSASAO	DATE 2011/02/15	molex			
		30 OVER	±0.3	APPROVED BY MSASAO	DATE 2011/02/15				
A	REV	ANGULAR ±1 °	DRAFT WHERE APPLICABLE MUST REMAIN WITHIN DIMENSIONS	MATERIAL NO. SEE CHART	DOCUMENT NO. SD-53929-010	SHEET NO. 1 OF 2		THIS DRAWING CONTAINS INFORMATION THAT IS PROPRIETARY TO MOLEX INCORPORATED AND SHOULD NOT BE USED WITHOUT WRITTEN PERMISSION	



嵌合断面図 (参考)
MATED DRAWING (REF.)

SEE SHEET 1 OF 2 EC NO: J2013-0632 DRW/K:TOYODA 2012/12/03 CH/KD:TASAKAWA 2012/12/04 APPR:MSASAO 2013/02/20	GENERAL TOLERANCES (UNLESS SPECIFIED)		DIMENSION STYLE MM ONLY	SCALE 20:1	DESIGN UNITS METRIC	THIRD ANGLE PROJECTION
	10 UNDER	±0.2	DRAWN BY KTOYODA	DATE 2010/12/16	TITLE 0.5 B/B CONN. PLUG WITH NAIL	
	10 OVER 30 UNDER	±0.25	CHECKED BY MSASAO	DATE 2011/02/15		
	30 OVER	±0.3	APPROVED BY MSASAO	DATE 2011/02/15	molex DOCUMENT NO. SD-53929-010 SHEET NO. 2 OF 2	
ANGULAR ±1 °		MATERIAL NO. SEE SHEET 1				
DRAFT WHERE APPLICABLE MUST REMAIN WITHIN DIMENSIONS		THIS DRAWING CONTAINS INFORMATION THAT IS PROPRIETARY TO MOLEX INCORPORATED AND SHOULD NOT BE USED WITHOUT WRITTEN PERMISSION				