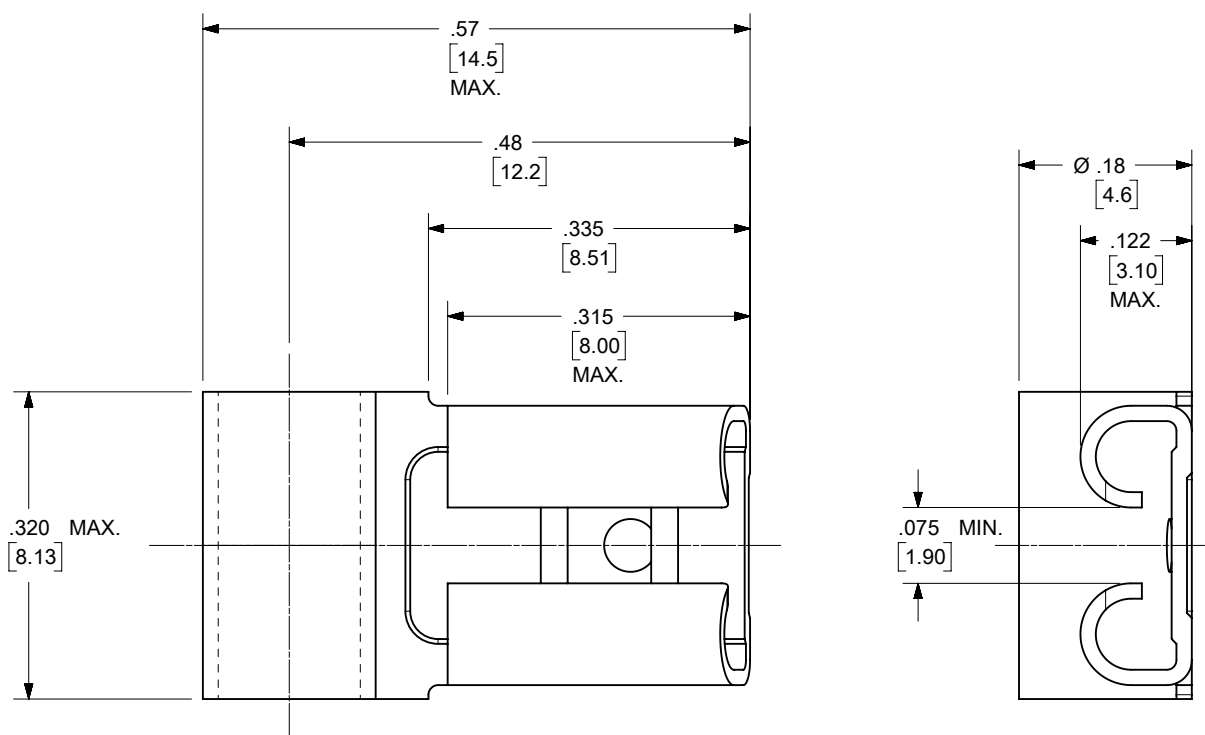


| MATERIAL NO. | ENG. NO. | DESCRIPTION |
|--------------|----------|-------------|
| 190080063 | C-1012 | LOOSE PIECE |

(A1)

(A1)



NOTE(S):
 1. MATERIAL: BRASS
 2. PLATING TIN PLATED.

| | | | | | | | | | | | | | | | |
|--|---|---|----------------|------|---|--------------|---------|----------|--------|----------|------|--|--|--|--|
| FUNCTIONAL SYMBOLS $\nabla_A = 0$ $\nabla_C = 0$ $\nabla_P = 0$ | THIS DRAWING CONTAINS INFORMATION THAT IS PROPRIETARY TO MOLEX ELECTRONIC TECHNOLOGIES, LLC AND SHOULD NOT BE USED WITHOUT WRITTEN PERMISSION | | | | | | | | | | | | | | |
| | DIMENSION UNITS | | SCALE | | CURRENT REV DESC: REMOVE PN 190080064 & STRIP DETAIL | | | | | | | | | | |
| | IN/mm | | 5:1 | | EC NO: 634757 DRWN: VRAMAKANTALA 2020/03/25 CHK'D: DMYRICK 2020/03/26 APPR: JMACNEIL 2020/03/26 INITIAL REVISION: DRWN: DLM 2003/02/28 APPR: RWD 2003/02/28 | | | | | | | | | | |
| | GENERAL TOLERANCES (UNLESS SPECIFIED) | | | | | | | | | | | | | | |
| | | | | MM | | | | | | | INCH | | | | |
| DIVISIONAL SYMBOLS | 4 PLACES | | ± | | ± | | | | | | | | | | |
| | 3 PLACES | | ± | | ± 0.005 | | | | | | | | | | |
| | 2 PLACES | | ± | | 0.13 | | ± 0.01 | | | | | | | | |
| | 1 PLACE | | ± | | 0.25 | | ± | | | | | | | | |
| 0 PLACES | | ± | | ± | | | | | | | | | | | |
| ANGULAR TOL | | ± | | 0.5° | | | | | | | | | | | |
| DRAFT WHERE APPLICABLE MUST REMAIN WITHIN DIMENSIONS | | | | | THIRD ANGLE PROJECTION | | DRAWING | | SERIES | | | | | | |
| | | | | | | | A-SIZE | | 19008 | | | | | | |
| DOCUMENT NUMBER | | | CUSTOMER | | | DOC TYPE | | DOC PART | | REVISION | | | | | |
| SD-19008-010 | | | GENERAL MARKET | | | PSD | | 001 | | A1 | | | | | |
| MATERIAL NUMBER | | | CUSTOMER | | | SHEET NUMBER | | | | | | | | | |
| SEE TABLE | | | GENERAL MARKET | | | 1 OF 1 | | | | | | | | | |

| | | | | |
|-----------------|----|--------------|------------|----------|
| DOCUMENT STATUS | P1 | RELEASE DATE | 2020/03/26 | 13:15:35 |
|-----------------|----|--------------|------------|----------|

FORMATT: Eng\lega-master-ib-prod-A
 REVISION: F
 DATE: 2020/01/14